



MASTER LEDspot ExpertColor AR111



MAS ExpertColor 10.8-50W 930 AR111 9D

MASTER LEDspot LV ExpertColor creates a warm and comfortable ambience for hospitality venues, homes and restaurants. It creates such an ambience with superior lighting that has a customized spectrum, high CRI, and deep dimming feature. The result? A beautiful lighting experience. What's more, the innovative, trimless lens design will suit almost any interior decor with its clean and neat look. In addition, you can take advantage of the full ExpertColor family, which also includes LEDspot MV and LEDspot Par lamps.

Product data

| General Information | |
|---------------------------------------|--------------------|
| Cap-Base | G53 |
| Nominal lifetime | 40,000 hour(s) |
| Switching Cycle | 50,000 |
| Lighting Technology | LED |
| Flux measurement reference | Narrow Cone |
| Light Technical | |
| Color Code | 930 [CCT of 3000K] |
| Beam Angle (Nom) | 9 degree(s) |
| Luminous Flux | 620 lm |
| Luminous Intensity (Nom) | 8,000 cd |
| Color Designation | White (WH) |
| Correlated Color Temperature (Nom) | 3000 K |
| Luminous Efficacy (rated) (Nom) | 57.00 lm/W |
| Color Consistency | <4 |
| Color rendering index (CRI) | 95 |
| LLMF At End Of Nominal Lifetime (Nom) | 70 % |

| Luminous Flux in 90° Cone (Rated) | 620 lm |
|--|--------------------|
| Photobiological safety according to EN 62471 | RG1 |
| Operating and Electrical | |
| Line Frequency | 50 to 60 Hz |
| Input Frequency | 50 to 60 Hz |
| Power Consumption | 10.8 W |
| Lamp Current (Nom) | 1,000 mA |
| Wattage Equivalent | 50 W |
| Starting Time (Nom) | 0.5 s |
| Warm-up time to 60% light | 0.5 s |
| Power Factor (Fraction) | 0.7 |
| Voltage (Nom) | ac electronic 12 V |
| Temperature | |
| T-Case Maximum (Nom) | 70 °C |

MASTER LEDspot ExpertColor AR111

Controls and Dimming

| | |
|----------|----------------------------|
| Dimmable | Only with specific dimmers |
|----------|----------------------------|

Mechanical and Housing

| | |
|--------------------|----------|
| Bulb Finish | Clear |
| Bulb Shape | AR111 |
| Net Weight (Piece) | 0.160 kg |

Approval and Application

| | |
|-------------------------------|--------|
| Energy Efficiency Class | G |
| Suitable For Accent Lighting | Yes |
| Energy Consumption kWh/1000 h | 11 kWh |
| EPREL Registration Number | 648250 |
| CE mark | Yes |
| EU RoHS compliant | Yes |
| EyeComfort | Yes |

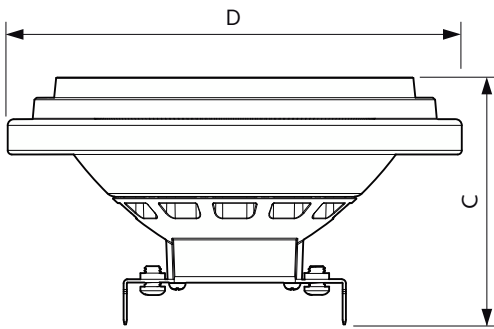
Application Conditions

| | |
|-------------------------------------|----|
| can it be used in closed luminaires | No |
|-------------------------------------|----|

Product Data

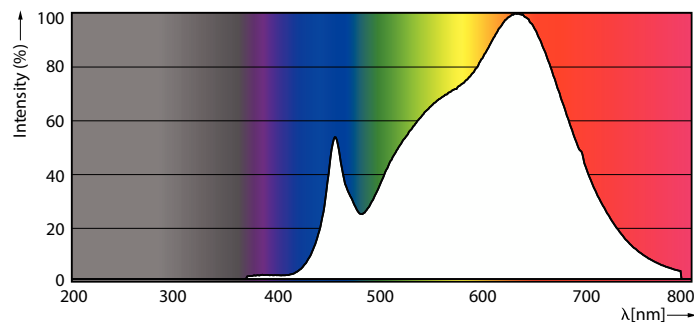
| | |
|---------------------------------|---------------------------------------|
| Order product name | MAS ExpertColor 10.8-50W 930 AR111 9D |
| Full product name | MAS ExpertColor 10.8-50W 930 AR111 9D |
| Full product code | 871951433397000 |
| Order code | 929003043502 |
| Material Nr. (12NC) | 929003043502 |
| Numerator - Quantity Per Pack | 1 |
| EAN/UPC - Product/Case | 8719514333970 |
| Numerator - Packs per outer box | 6 |
| EAN/UPC - Case | 8719514333987 |

Dimensional drawing

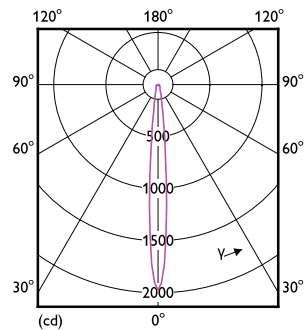


| Product | D | C |
|---------------------------------------|--------|-------|
| MAS ExpertColor 10.8-50W 930 AR111 9D | 111 mm | 61 mm |

Photometric data



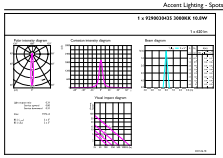
Spectral Power Distribution Colour - MAS ExpertColor 10.8-50W 930 AR111 9D



Light Distribution Diagram - MAS ExpertColor 10.8-50W 930 AR111 9D

MASTER LEDspot ExpertColor AR111

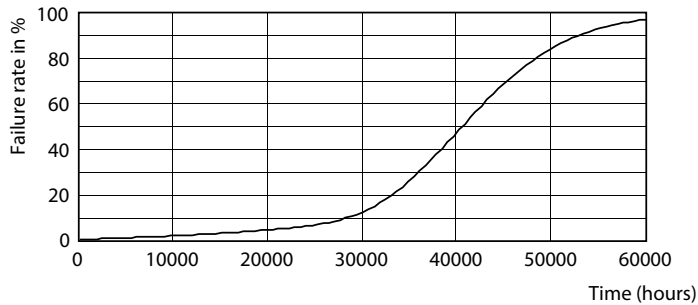
Photometric data



© Philips Lighting B.V. 2025. All rights reserved. Page 1/1

Accent Lighting Spots - MAS ExpertColor 10.8-50W 930 AR111 9D

Lifetime



Life Expectancy Diagram

Lumen Maintenance Diagram - MAS ExpertColor 10.8-50W 930 AR111 9D

