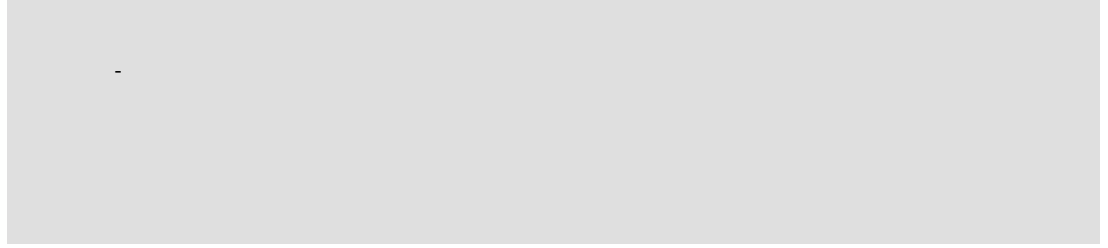
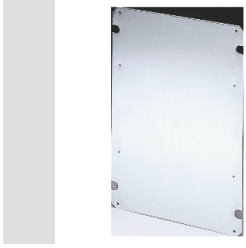


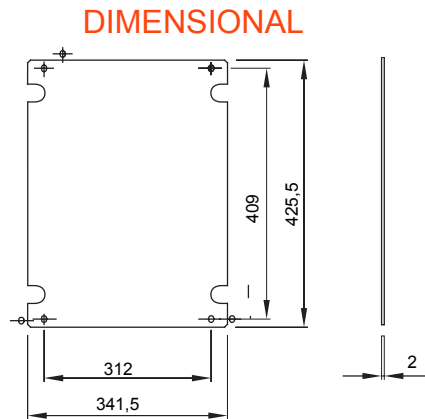
# Product Data Sheet

## GW44639

46 Range



For boards LxH (mm)	396x474	For boards	44 CEP
Type of material	Galvanized metal	Electrocod	1320



### STANDARDS/APPROVALS

