



MASTERColour CDM-T Elite

MASTERC CDM-T Elite 35W/942 G12 1CT

Single-ended, very high-efficiency, long-life Ceramic Metal Halide discharge lamp producing crisp white sparkling light with high color rendering

Warnings and Safety

- Use only in totally enclosed luminaire, even during testing (IEC61167, IEC 62035, IEC60598)
- The luminaire must be able to contain hot lamp parts if the lamp ruptures
- Use only with electronic control gear. 35W & 70W lamps may also use electromagnetic gear.
- Control gear must include end-of-life protection (IEC61167, IEC 62035)
- A lamp breaking is extremely unlikely to have any impact on your health. If a lamp breaks, ventilate the room for 30 minutes and remove the parts, preferably with gloves. Put them in a sealed plastic bag and take it to your local waste facilities for recycling. Do not use a vacuum cleaner.

Product data

Operating and Electrical		Chromaticity Coordinate X (Nom)		0.371
Power Consumption	39.1 W	Chromaticity Coordinate Y (Nom)		0.366
Voltage (Nom)	90 V	Correlated Color Temperature (Nom)		4200 K
Voltage (Nom)	90 V	Luminous Efficacy (rated) (Nom)		98 lm/W
General Information		Color rendering index (CRI)		90
Cap-Base	G12 [G12]	Controls and Dimming		
Operating Position	UNIVERSAL [Any or Universal (U)]	Dimmable	No	
Flux measurement reference	Sphere	Mechanical and Housing		
Light Technical		Bulb Finish	Clear	
Color Code	942 [CCT of 4200K]	Bulb Shape	T19 [T 19mm]	
Luminous Flux	3,850 lumen			
Color Designation	Cool White (CW)			

MASTERC colour CDM-T Elite

Approval and Application

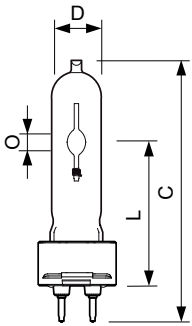
Mercury (Hg) Content (Max)	4.9 mg
Mercury (Hg) Content (Nom)	4.9 mg
Energy Consumption kWh/1000 h	40 kWh
EPREL Registration Number	473,272

Product Data

Full product code	871829116364000
Order product name	MASTERC CDM-T Elite 35W/942 G12 1CT

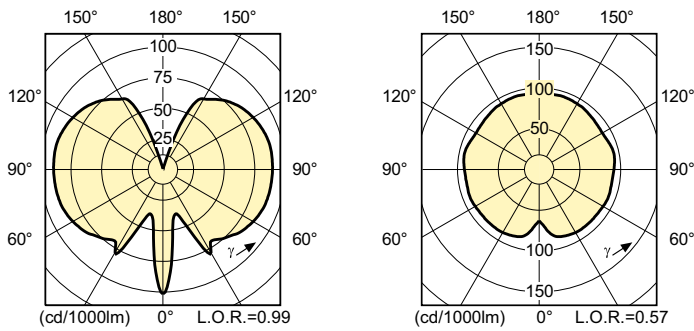
Order code	928193605131
Numerator - Quantity Per Pack	1
Numerator - Packs per outer box	12
Material number (12NC)	928193605131
Full product name	MASTERC CDM-T Elite 35W/942 G12 1CT
EAN/UPC - Case	8718291163657

Dimensional drawing

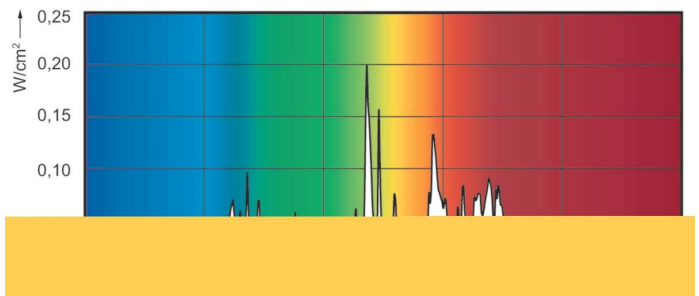


Product	D (max)	O	L (min)	L (max)	L	C (max)
MASTERC CDM-T Elite 35W/942 G12 1CT	20 mm	5.2 mm	55 mm	57 mm	56 mm	103 mm

Photometric data



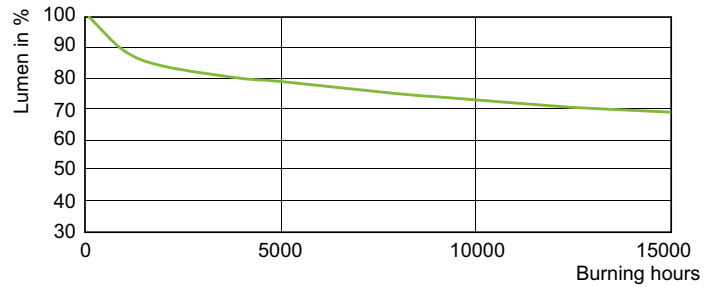
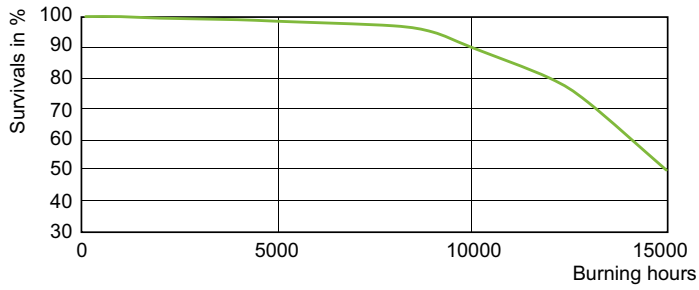
Light Distribution Diagram - MASTERC CDM-T Elite 35W/942 G12 1CT



Spectral Power Distribution Colour - MASTERC CDM-T Elite 35W/942 G12 1CT

MASTERC colour CDM-T Elite

Lifetime



Life Expectancy Diagram - MASTERC CDM-T Elite 35W/942 G12 1CT

Lumen Maintenance Diagram - MASTERC CDM-T Elite 35W/942 G12 1CT

