

Product Data Sheet

GWJ1001L100

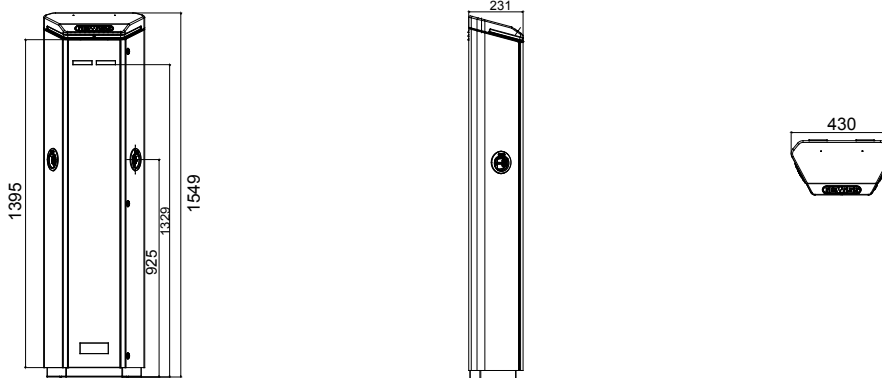
JOINON range



The floor-standing I-ON charging stations are the JOINON solutions for public and semi-public access, designed for charging electric vehicles and to withstand any wear including impacts, stress, vandalism and atmospheric agents. They are the first and only on the market able to guarantee the IP55 level of protection. The special hexagonal design allows the units to be adapted into any urban context and parking configuration, with a targeted focus on the User Experience for the Driver. They are available with standard JoinOn graphics, which may be customised on request.

INPUT		- Socket/Connector Nr. (Type)	2 (Type 2 vandal-proof socket, with shutters)
Terminal blocks	3 x 35 mm ²	Charging activation	Remotely managed, via OCPP 1.6J
Rated current	64 A	Human Interface	LED RGB and TFT Display
Total power	15 Kilowatt	Connectivity	LAN
OUTPUT		MECHANICAL FACTS	-
Rated voltage	230 V	Mounting and installation	Floor mounting
Current supplied (max)	32 A per socket	Colour	Grey, Headboard RAL 7011
Power max.	7,4 kW per socket	Material	Steel sheet
Thermal-magnetic protection	40A - 2P - Curve D	External treatments	Anti-corrosion and anti-graffiti
Type of residual current protection	40 A - 2P - Type B	IP degree	IP55
Power meter	YES (MID)	Mechanical resistance	IK10
DC Leakage check	Not needed	Operating temperature	-25 +50 °C
(Auto)restart electrical protections	No	Customizations	Yes (front)

DIMENSIONAL



TECHNICAL SYMBOLOGY

IP **IK**

IP55

IK10

STANDARDS/APPROVALS

