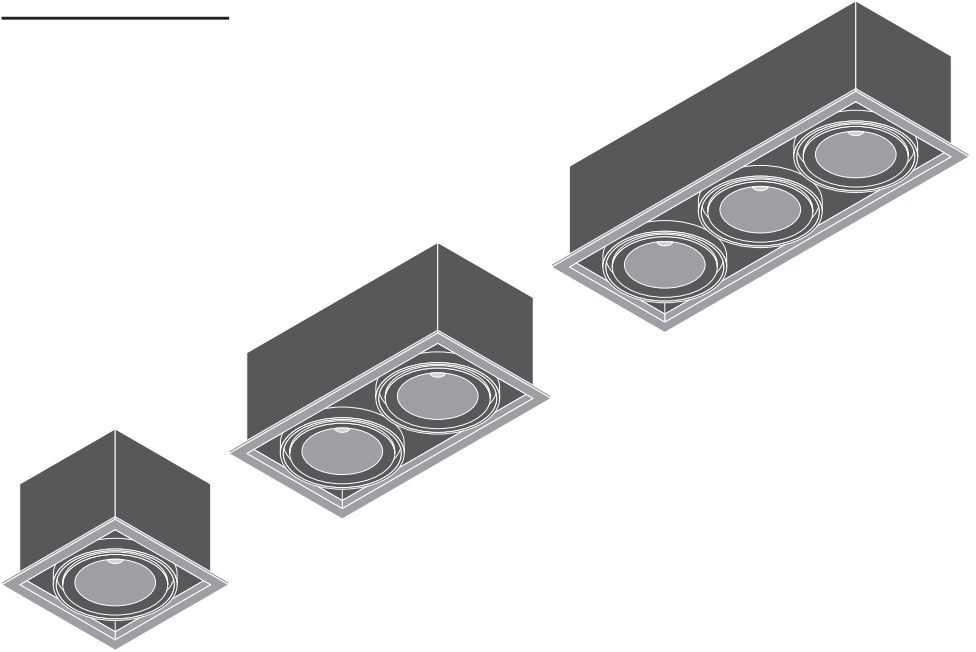


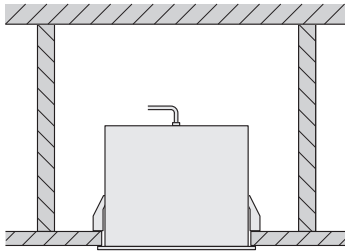
## SPOT MULTI



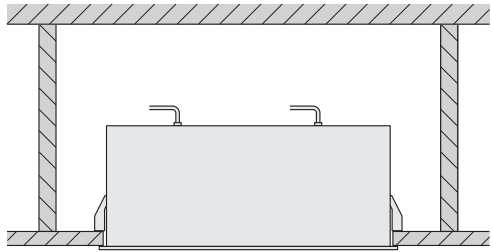
	EAN	l x w x h [mm]	W	lm	lm/W	K	IP	IK
SPOT MULTI (1x)	4058075113923	173 x 173 x 135	1 x 30	1 x 2700	90	3000	20	03
SPOT MULTI (1x)	4058075113947	173 x 173 x 135	1 x 30	1 x 2700	90	4000	20	03
SPOT MULTI (2x)	4058075113961	330 x 173 x 135	2 x 30	2 x 2700	90	3000	20	03
SPOT MULTI (2x)	4058075113985	330 x 173 x 135	2 x 30	2 x 2700	90	4000	20	03
SPOT MULTI (3x)	4058075114005	485 x 173 x 135	3 x 30	3 x 2700	90	3000	20	03
SPOT MULTI (3x)	4058075114029	485 x 173 x 135	3 x 30	3 x 2700	90	4000	20	03

	EAN	°C	V <sub>AC</sub>	Hz	∇	PF	R <sub>a</sub>	👤
SPOT MULTI (1x)	4058075113923	-10...+40	220-240V	50/60 Hz	38°	> 0.9	> 80	1.5 kg
SPOT MULTI (1x)	4058075113947	-10...+40	220-240V	50/60 Hz	38°	> 0.9	> 80	1.5 kg
SPOT MULTI (2x)	4058075113961	-10...+40	220-240V	50/60 Hz	38°	> 0.9	> 80	2.7 kg
SPOT MULTI (2x)	4058075113985	-10...+40	220-240V	50/60 Hz	38°	> 0.9	> 80	2.7 kg
SPOT MULTI (3x)	4058075114005	-10...+40	220-240V	50/60 Hz	38°	> 0.9	> 80	3.9 kg
SPOT MULTI (3x)	4058075114029	-10...+40	220-240V	50/60 Hz	38°	> 0.9	> 80	3.9 kg

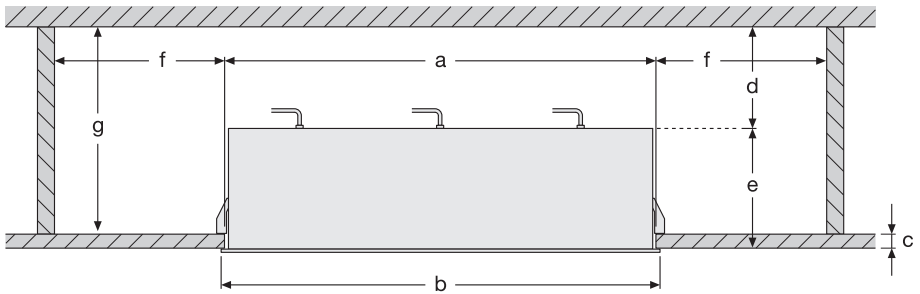
**SPOT MULTI 1x30W**



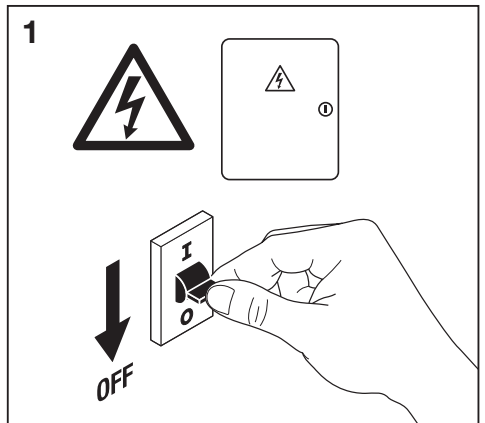
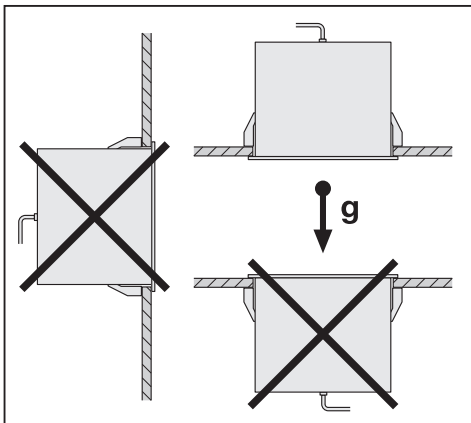
**SPOT MULTI 2x30W**

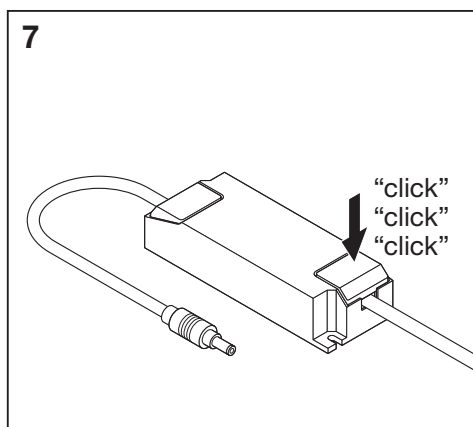
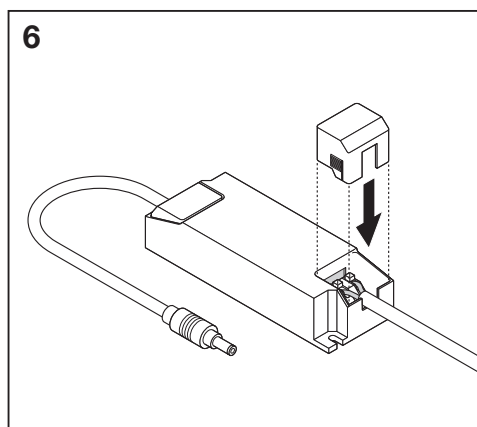
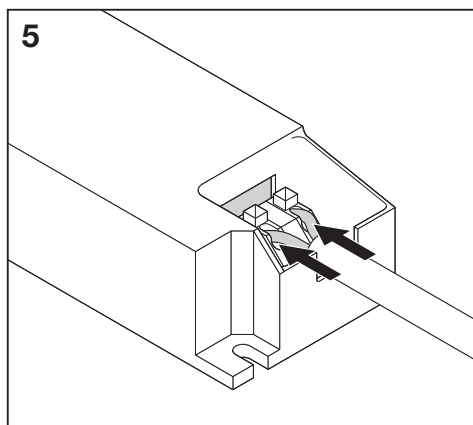
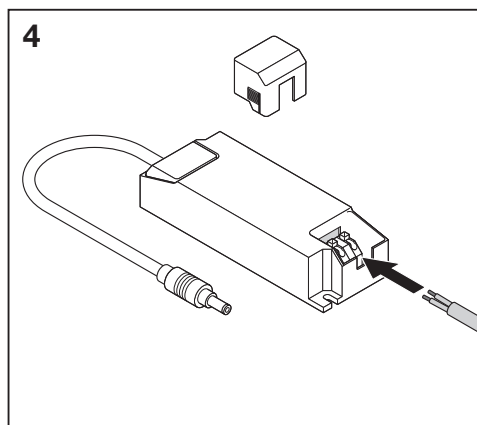
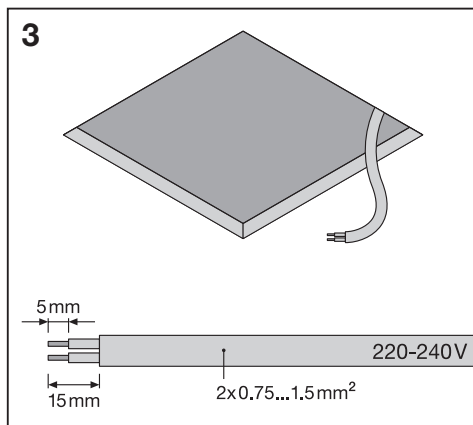
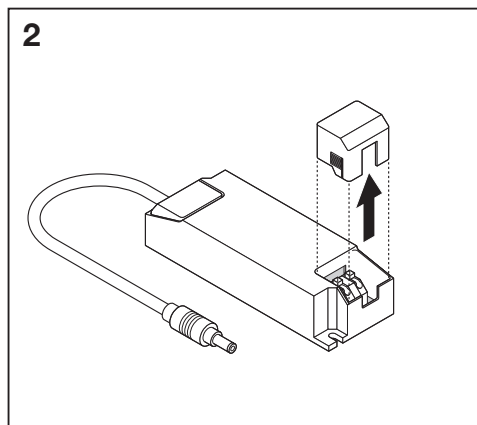


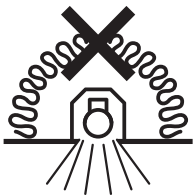
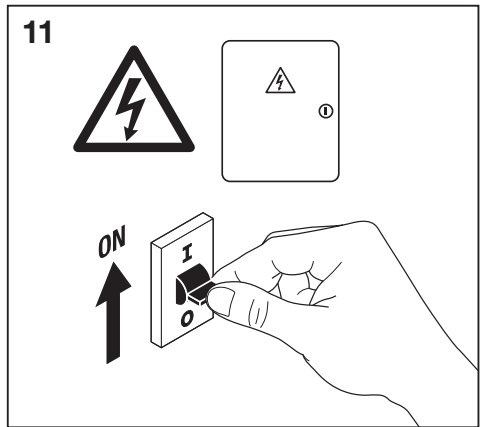
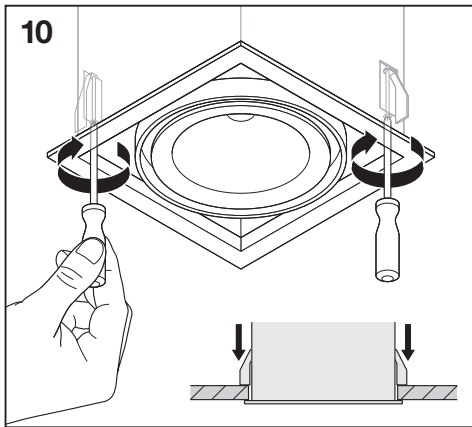
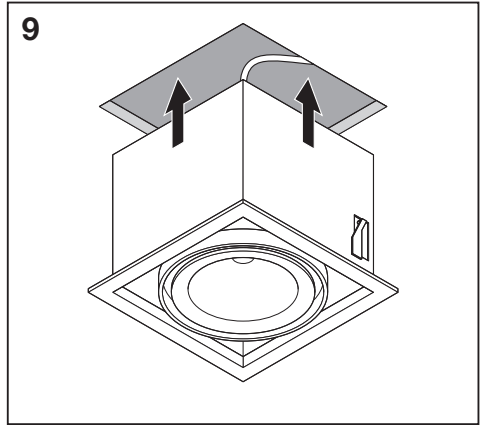
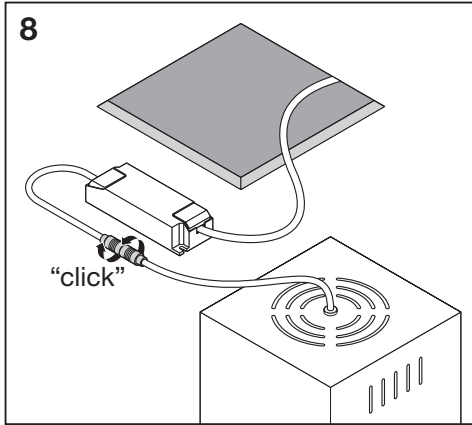
**SPOT MULTI 3x30W**



	a	b	c	d	e	f	g
SPOT MULTI (1x)	164 x (160 mm)	173 x (173 mm)	5 - 20 mm	≥ 100 mm	135 mm	≥ 250 mm	≥ 250 mm
SPOT MULTI (2x)	320 x (160 mm)	330 x (173 mm)	5 - 20 mm	≥ 100 mm	135 mm	≥ 250 mm	≥ 250 mm
SPOT MULTI (3x)	475 x (160 mm)	485 x (173 mm)	5 - 20 mm	≥ 100 mm	135 mm	≥ 250 mm	≥ 250 mm







C10449057  
G11033605  
16.01.18



LEDVANCE GmbH  
Steinerne Furt 62  
86167 Augsburg, Germany  
[www.ledvance.com](http://www.ledvance.com)