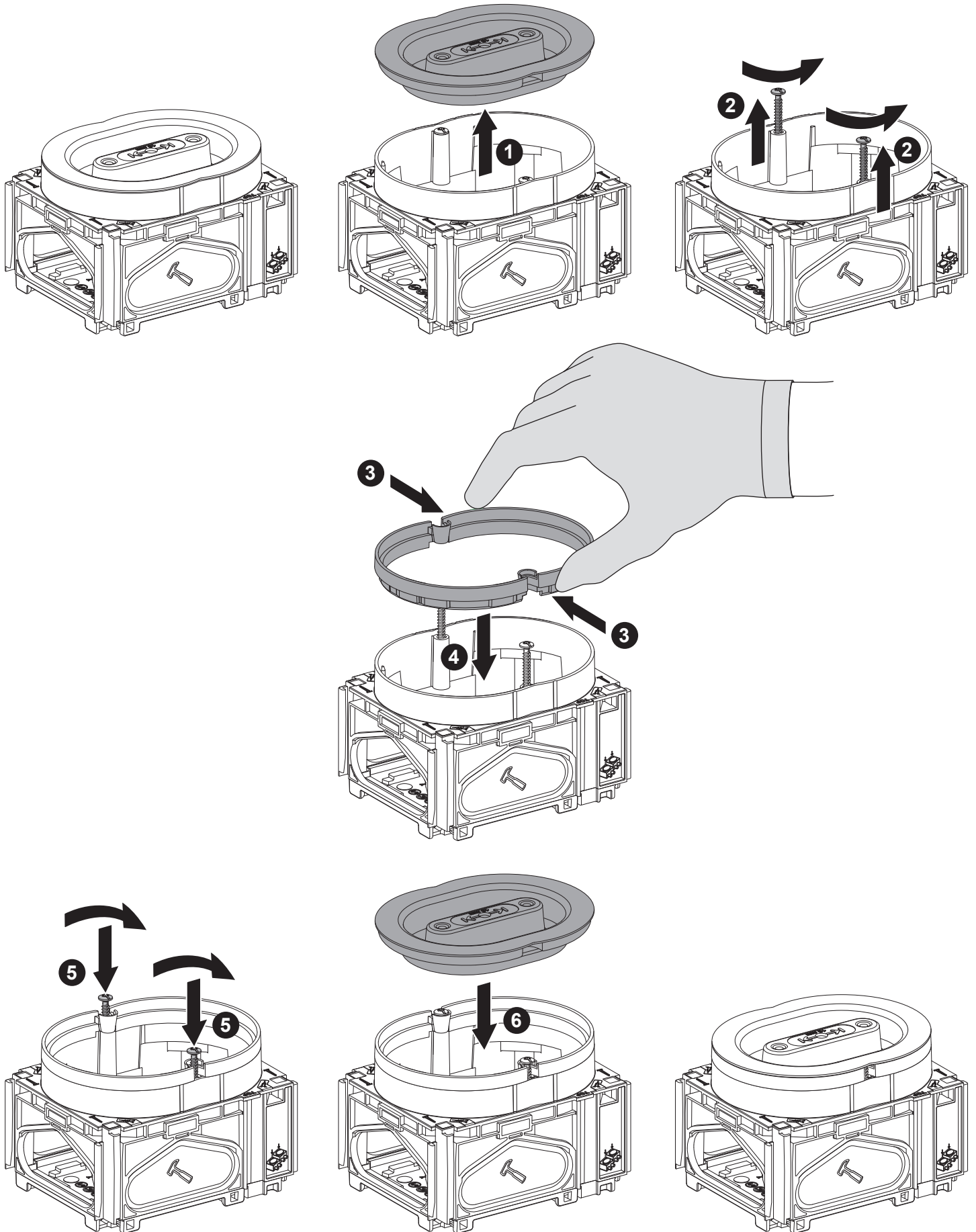


Multifix 1.5M extension ring 6mm

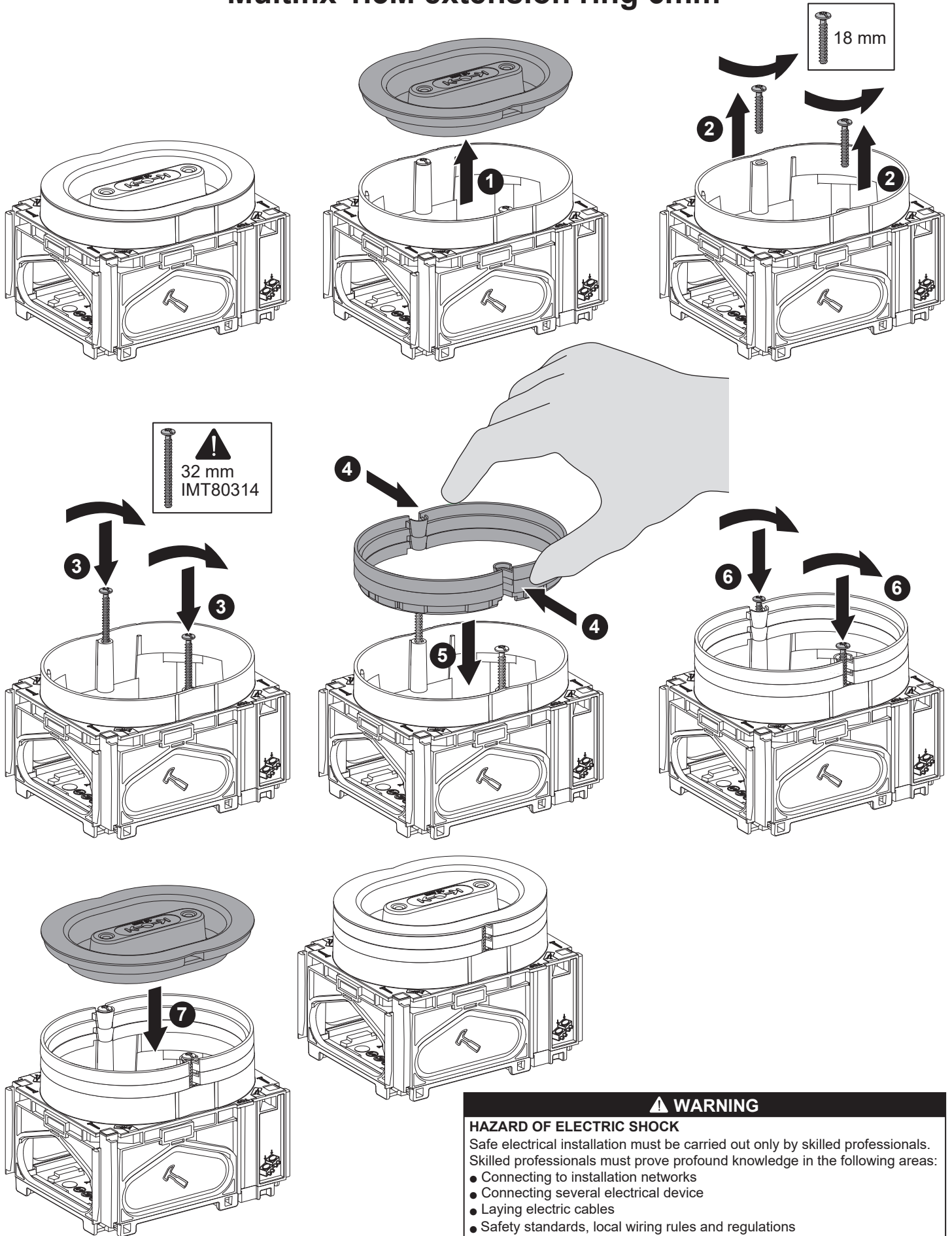


NNZ5673400-00

Schneider-Electric Industries SAS,
35 Rue Joseph Monier,
92500 Rueil Malmaison,
France
www.se.com/contact

Schneider
Electric™

Multifix 1.5M extension ring 6mm



⚠ WARNING

HAZARD OF ELECTRIC SHOCK

Safe electrical installation must be carried out only by skilled professionals. Skilled professionals must prove profound knowledge in the following areas:

- Connecting to installation networks
- Connecting several electrical device
- Laying electric cables
- Safety standards, local wiring rules and regulations

Failure to follow these instructions will result in death or serious injury.

NNZ5673400-00

Schneider-Electric Industries SAS,
35 Rue Joseph Monier,
92500 Rueil Malmaison,
France
www.se.com/contact

Schneider
Electric™