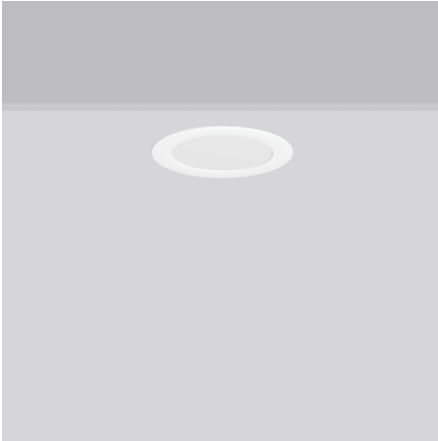


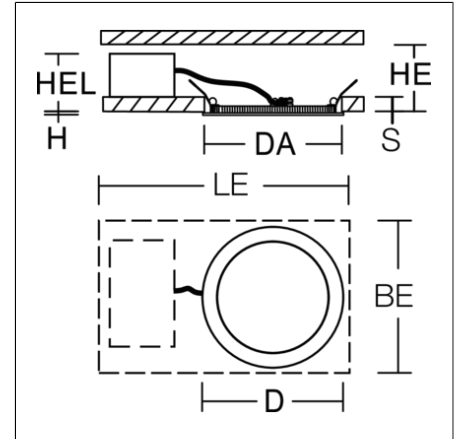
TOLEDO FLAT round

901452.002 | Recessed downlights



Recessed downlights
4051859051428
D 190, H 2

Recessed ceiling mounting
white



Ultra thin recessed downlight. Housing: die-cast aluminium. Light guide and diffuser made of non-yellowing PMMA, opal matt. Ceiling installation with spring system. Mounting depth depends on ceiling strength. Including separate LED converter with connecting cable 250 mm. Suitable for through-wiring with separately available accessories. Surface mounted housing as accessory for all sizes. Retrofittable decorative cylinders made of chintz fabric as accessory, optional with satin finish plastic diffuser. Through-wiring box (5 pole) available as accessory.

Product specifications

Diameter D	190 mm
Height H	2 mm
Cut-out diameter DA	170 mm
Luminaire: recess height HEL	31-51 mm
Ceiling thickness S	1-20 mm
Installation space length LE	350 mm
Installation space width BE	290 mm
Installation space height HE	27-53 mm
Weight	370 g
Light source	LED
Colour temperature	3000 K
Rated luminous flux	780 lm
System power	7.7 W
System efficiency	101 lm/W
Glare evaluation UGR (4H 8H)	26,4
Beam angle	111°
Rated life	50000 h (L80/B10)
Colour rendering index (CRI)	80
Colour tolerance	4
Photobiological safety according to EN 62471	Risk group 0
Driver	Converter
Control	on/off
Voltage	220 - 240 V / 50 Hz, 60 Hz
Luminaires on B10A fuse	53
Luminaires on B16A fuse	85
Luminaires on C10A fuse	89
Luminaires on C16A fuse	143
Inrush current / Inrush current duration	30 A / 180 µs
CIE Flux Code / CEN Flux Code	47 79 96 100 100
Type of protection	IP 54 on room side IP 20
Protection class	II
Filament test	650 °C
Impact resistance	IK06
Ambient temperature	-20 °C ... + 35 °C
Conformity mark	CE, EAC

TOLEDO FLAT round

901452.002 | Recessed downlights

Accessories



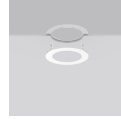
982073.002
Surface mounted housing



982320.002
Chintz decorative cylinder



982703.002
Through-wiring box



982622.002
refurbishment frames for recessed luminaires