

Mini installation beacon / Permanent Light 800 Permanent Beacon EM 12-230VAC/DC BU



Part No.: 800.500.00



MECHANICAL DATA

| | |
|------------------------------|-----------------------------|
| Height | 85 mm |
| Diameter | 57 mm |
| Materials | PC PC/ABS |
| Dome colour | Blue |
| Housing colour | Black |
| Protection category | IP66 |
| Connection | Screw terminals |
| cross-sectional area maximum | 1,50mm ² / 16AWG |
| Cable entry | Through hole |
| Cable entry maximum | d = 9 mm |
| Tension relief | Present (conforms to VDE) |
| Type of fixing | Built-in mounting |
| Working temperature minimum | -20°C |
| Working temperature maximum | +50°C |
| Weight with packaging | 77 g |
| Product weight | 58 g |

ELECTRICAL DATA

| | |
|------------------------|--------------------------------|
| Operating voltage | 12-230V |
| Operating voltage type | AC/DC |
| Protection class | Protection class 2 |
| Pollution degree | 3 In the connection area: 2 |
| Overvoltage category | II |
| Isolation voltage | Ui = 250V; Uimp = 2.500V |

OPTICAL DATA

| | |
|----------------------|-----------------|
| Light colour | Blue |
| Service life optical | depends on bulb |

APPROVAL DATA

| | |
|------------------------------|---------|
| Conforms with CE | Yes |
| Conforms with RoHS directive | Yes |
| WEEE | Yes |
| Conforms with ATEX-directive | No |
| Conforms with CCC | No |
| Conforms with UL | cULus |
| UL Type Rating | Type 12 |
| Conforms with FCC | No |



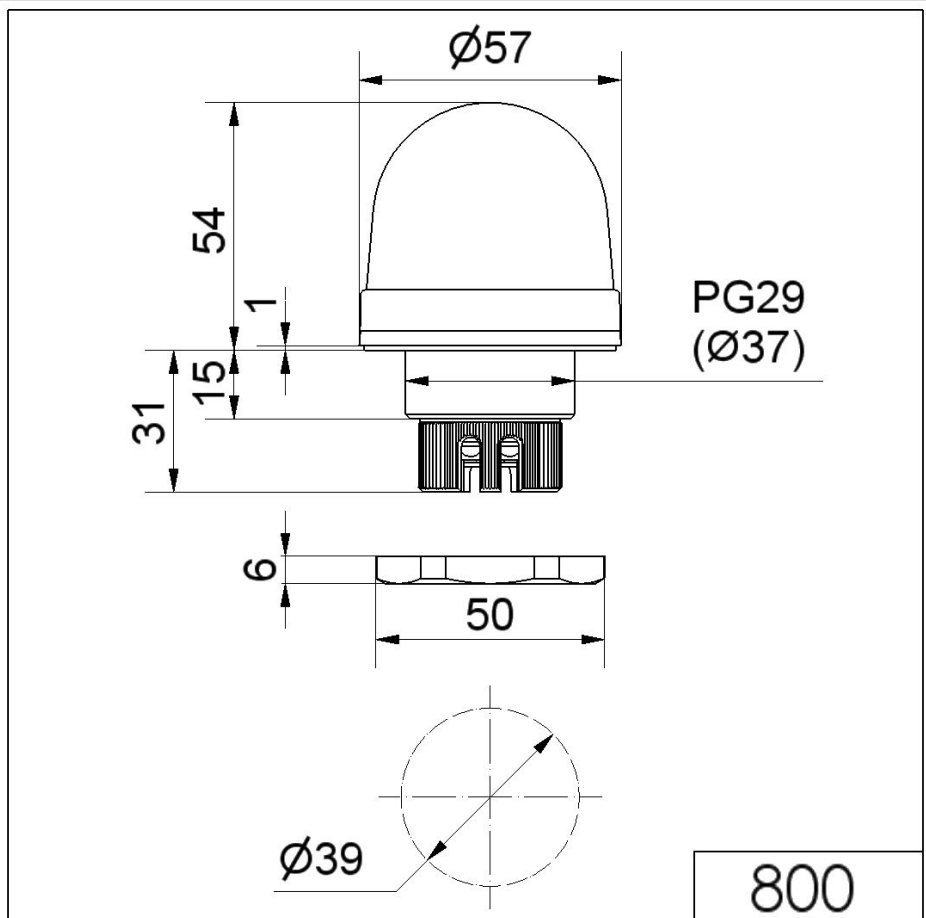
For additional installation and mounting information, refer to the appropriate user guide at www.werma.com. This printed copy is for information only and is subject to alteration.

Mini installation beacon / Permanent Light 800

Permanent Beacon EM 12-230VAC/DC BU

| | |
|-------------------------------|-----------------------|
| Conforms with IC | No |
| EAC certificate available | Yes |
| Conforms with UKCA (Importer) | Yes (WERMA (UK) Ltd.) |
| Conforms with AS-I | No |
| ICAO Certification | No |
| Conforms with DNV | No |
| Conforms with RoHS CN | No |
| Conforms with VdS | No |

DRAWING



! For additional installation and mounting information, refer to the appropriate user guide at www.werma.com. This printed copy is for information only and is subject to alteration.