





Contents

General information	4
Warnings and recommendations	4
Warnings and consumer rights	4
Introduction	5
Fundamental concepts	6
Naming of the devices	6
Community	6
Enabling of the devices (EP/IU) for the Lift Control function	7
Front view and dimensional data	9
Example diagrams	10
Diagram 1 : 1 lift control unit, 1 interface, 1 riser, 1 entrance panel	10
Diagram 2 : 2 (or more) lift control units, 2 (or more) interfaces, 2 (or more) risers, 1 entrance panel	11
Diagram 3 : 1 lift control unit, 1 interface, 1 riser, 2 (or more) entrance panels	12
Software installation	13
Home page	14
Configuration (Lift Conf)	15
Basic configuration (Basic conf)	17
Advanced configuration (Special func conf)	19
Lift addressing setup	20
Double Door or not	21
Whether differ rooms call differ lifts	23
Virtual apt number or not	24
Send the project to the device	25
Device debug	27
Software and firmware update (FW Update)	28

General information

Warnings and recommendations

It is important to read this manual carefully before proceeding with the installation.
The warranty becomes automatically void in case of negligence, improper use, tampering by unauthorised personnel.
The device must be configured by software.
For software download and for any other information, refer to the website.



BTicino Lift Configuration



www.homesystems-legrandgroup.com

WARNING: The images of this manual are only indicative, and therefore may not exactly represent the characteristics of the product.

Warnings and consumer rights



Read carefully before use and keep for future reference.



- Touching the units with wet hands is forbidden.
- Using liquid cleaners or aerosols is forbidden.
- Blocking the ventilation openings is forbidden.
- Modifying the devices is forbidden.
- Removing protective parts from the devices is forbidden.
- Exposing the unit to water drops or splashes is forbidden.
- Installing the units near heat/cold sources or hot/cold air emission points is forbidden.
- Installing the units near heat/cold sources is forbidden.
- Installing the units near harmful gases and powders is forbidden.
- Fastening the units on unsuitable surfaces is forbidden.



Danger of electrical shock.



Risk of devices falling because the surface on which they are installed collapses or inappropriate installation.
Switch the power supply OFF before any work on the system.

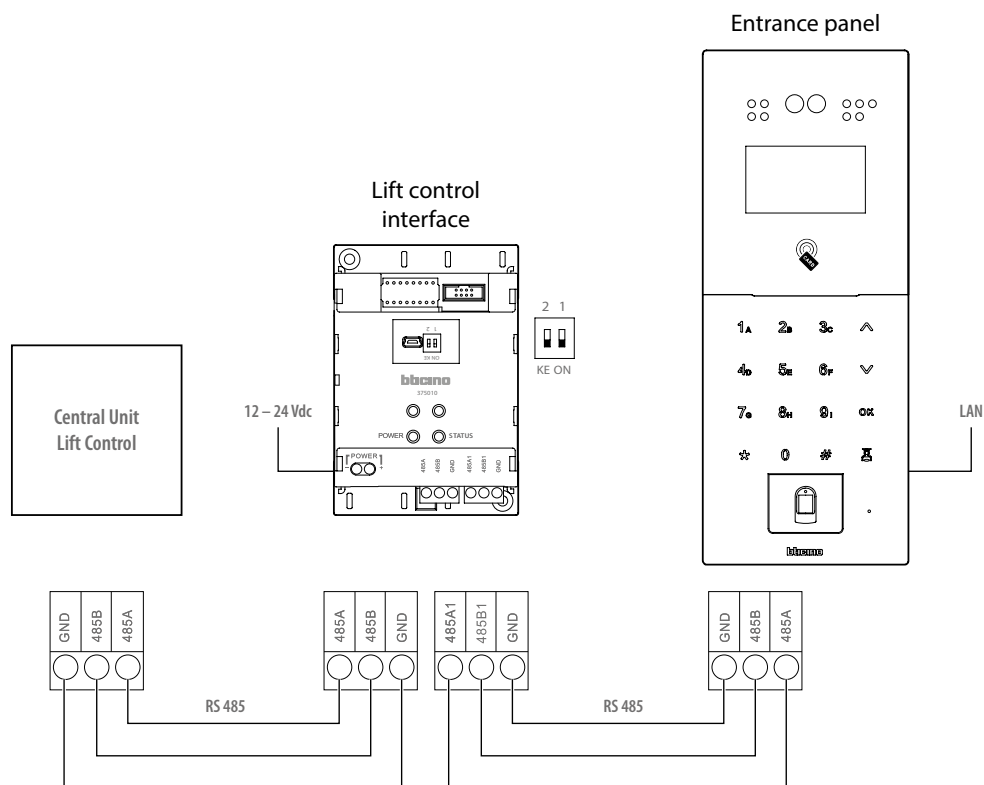


CAUTION: Installation, configuration, starting-up and maintenance must be performed exclusively by qualified personnel.
Check that the wall installation has been carried out correctly according to the installation instructions.
Check that the unit installation complies with the standards in force.
Connect the power supply wires as indicated.
Use only the items indicated in the technical specifications for any system expansions

Introduction

When properly configured, Lift Control interface 375010 provides interaction with the lift control central units installed in the Community.

The parameters that can be configured depend on the protocol used and therefore on the manufacturer of the lift control central unit.



NOTE: For more information on the types of connections see the [Example diagrams](#) section

The BTicino Lift Configuration software allows to configure the following:

- The type of Entrance Panel that controls the lift and the lowest floor that can be reached;
- The type of protocol used by the Central Unit Lift control;
- The number of lifts controlled
- The door opening mode;
- The logical apartment numbering sequence.

For more information see section "[configuration](#)".

It is also possible to [update the software and the firmware of the device](#).

Fundamental concepts

Naming of the devices

In this manual, for easy reading, the abbreviated device name is used as in the list:

- IU: Indoor Unit
- EP: Entrance Panel
- SEP: Small Entrance Panel
- SW: Software Server DES
- CLC: Central Unit Lift control

Community

In this manual, for easy reading, the abbreviated device name is used as in the list.

The term Community means the housing complex reproduced in the project design made using the SW.

The structure in its maximum extension includes:

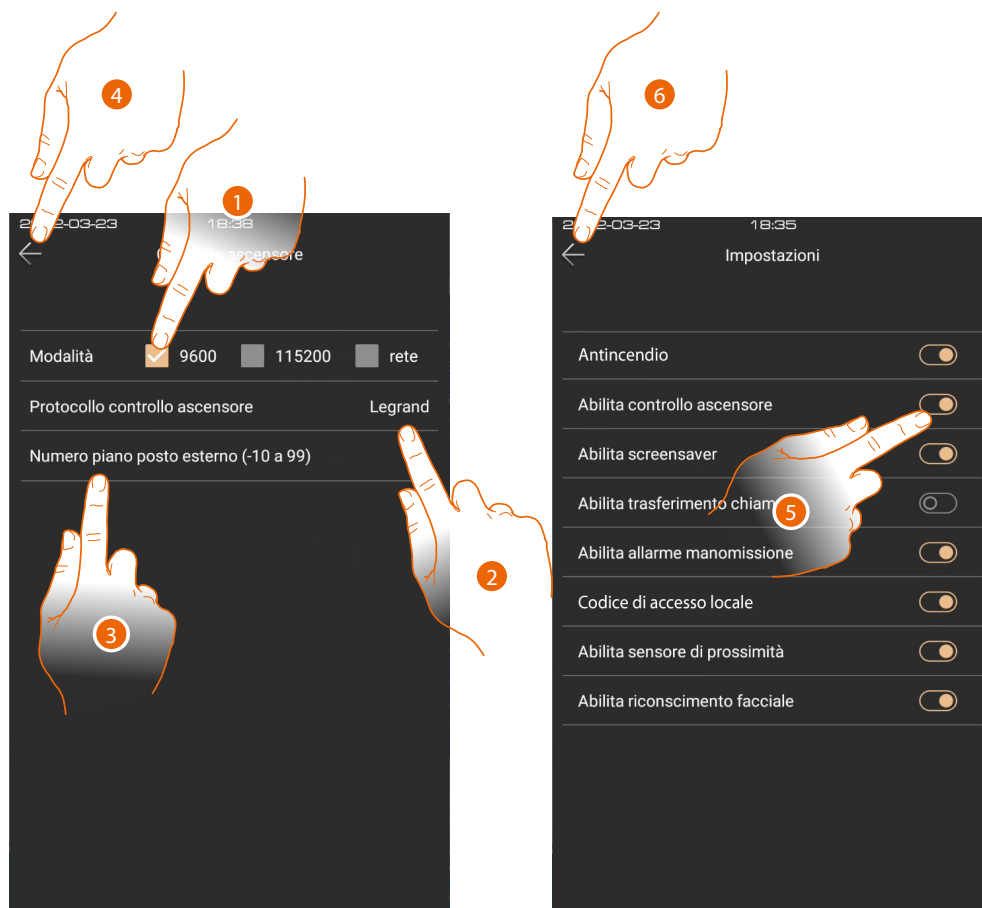


Enabling of the devices (EP/IU) for the Lift Control function

After [connecting the device to the system](#), it will be necessary to configure some communication parameters and enable the function on the EP/SEP of the IP DES system.

The configuration of the parameters and the activation of the function can be completed using the own menus of the devices or the SD software.

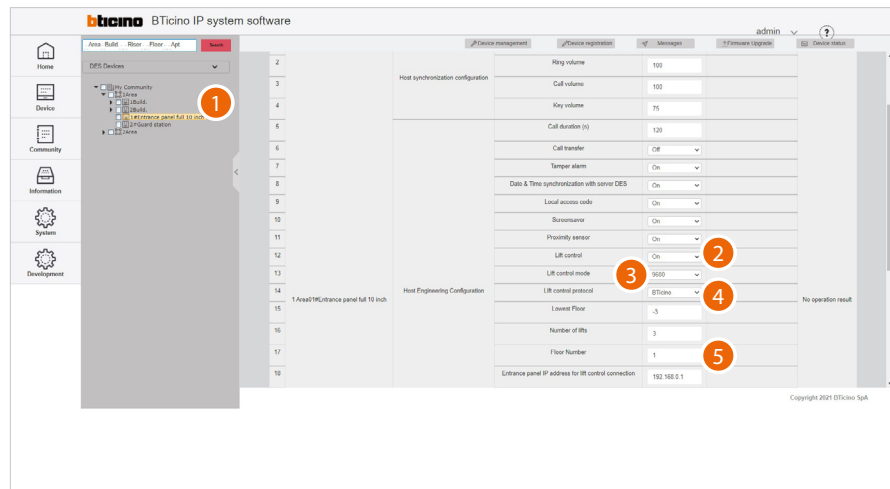
Configuration of the communication parameters and enabling of the function on EP/SEP devices



1. In the "lift control" settings page select mode 9600
2. select BTicino protocol
3. Select the floor where the EP is located
4. Touch to save
5. In the Settings page, touch to enable the function
6. Touch to save

NOTE: The above procedure is the same for all the EP/SEP of the IP DES system; the example shown is for the Entrance Panel 10 device (see the device manuals for details).

Configuration of the communication parameters and enabling of the function using the SD software

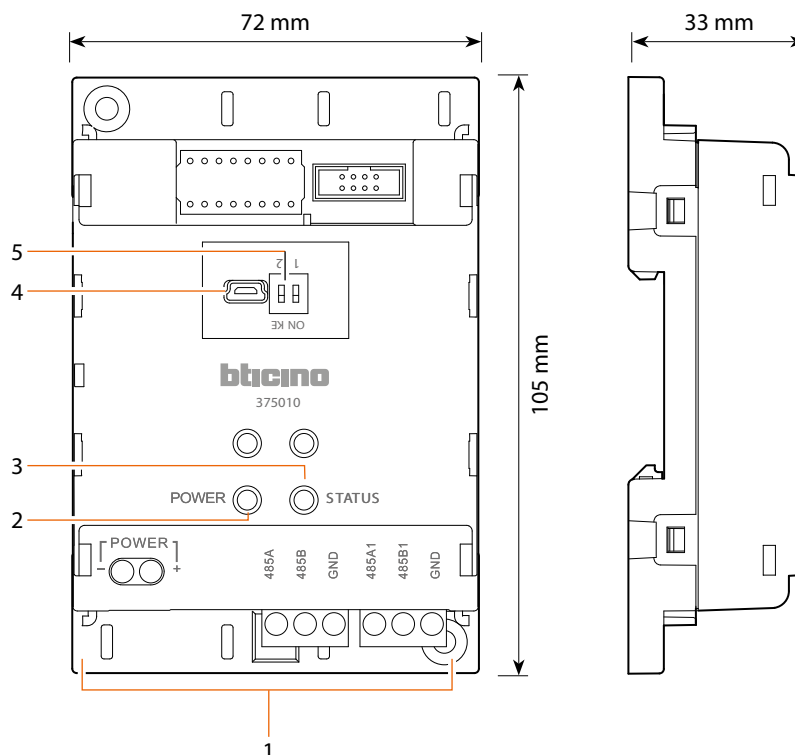


1. On the "Device/Device parameter configuration" page select the relevant device
2. Select «on» to enable the function
3. Select 9600 as mode
4. Select BTicino protocol
5. Select the floor where the EP is located

Send the configuration to the devices

NOTE: The above procedure is the same for all the EP/SEP of the IP DES system; the example shown is for the Entrance Panel 10 device (see the SD software manuals for details).

Front view and dimensional data



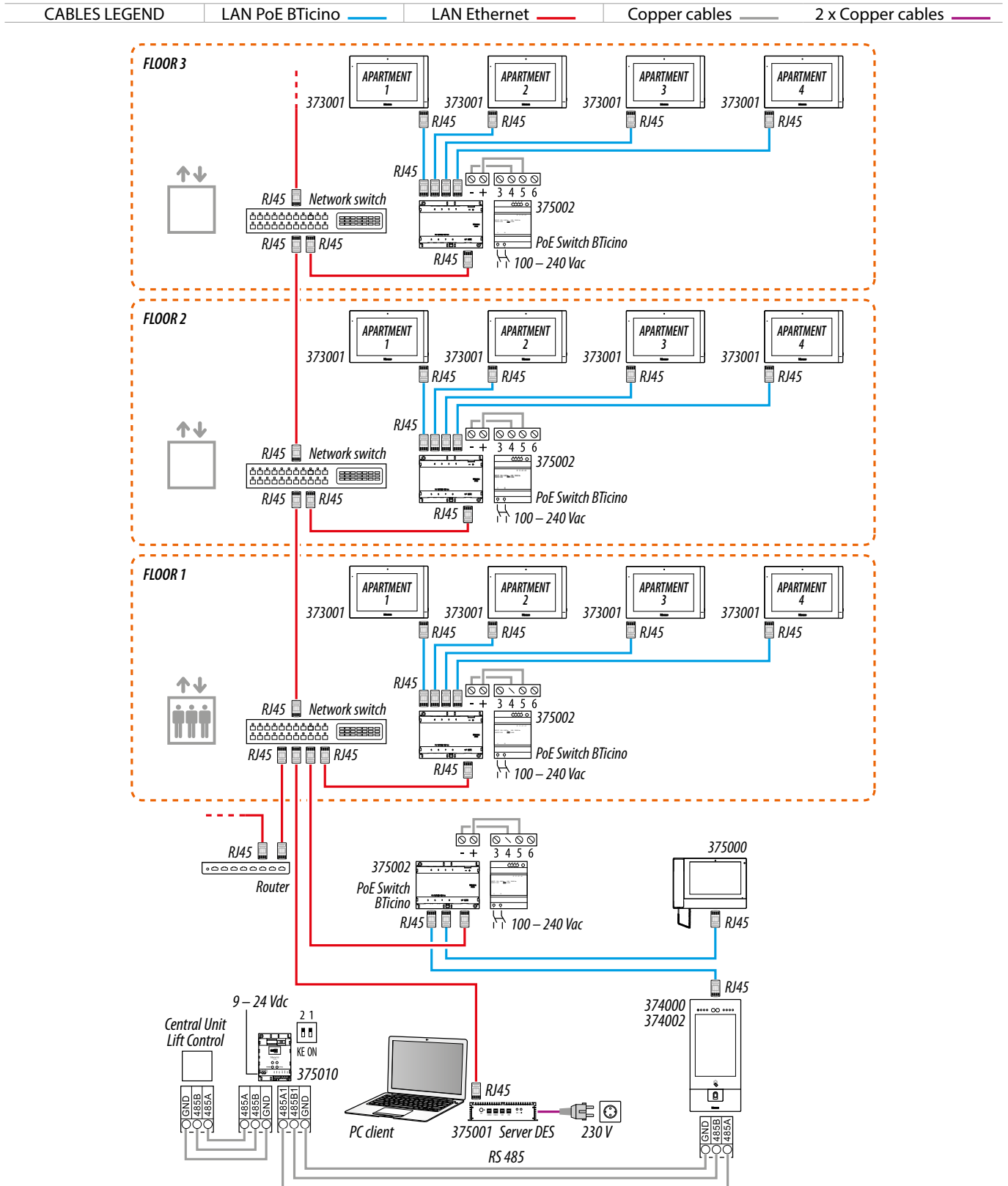
1. Connection clamp
2. Power supply LED
3. Status notification LED:
Slow flashing = stand-by
Quick flashing = communication
4. USB Connector (Configuration and Update)
5. Line termination micro-switches
1-2 = disconnected
ON-KE = connected

Connection clamp

-		power supply
+		
485A	Control Unit Lift	terminal A
485B		terminal B
GND		system common ground terminal for RS485 connection
485A1	Entrance panel	terminal A
485B1		terminal B
GND		system common ground terminal for RS485 connection

Examplediagrams

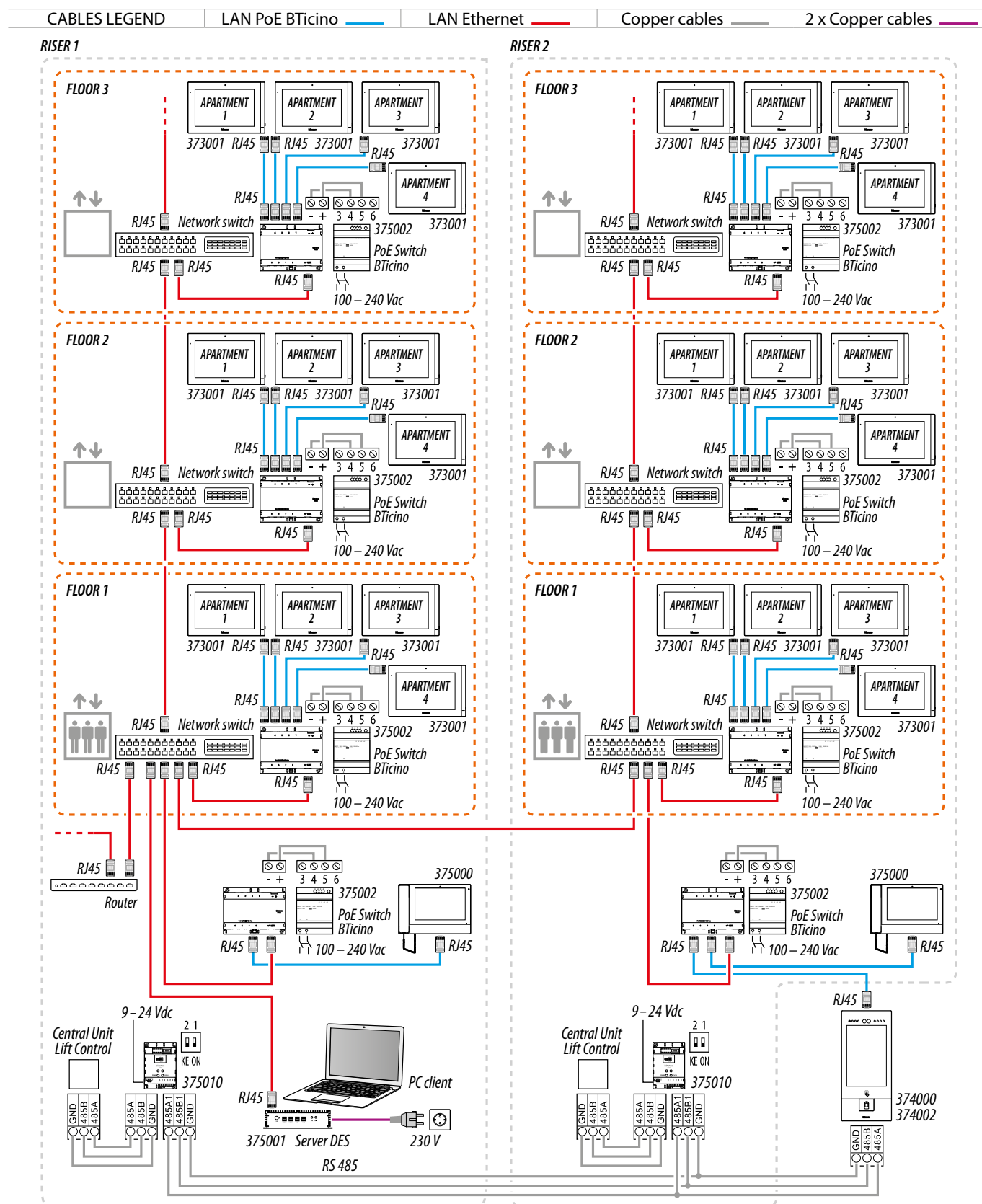
Diagram 1 : 1 lift control unit, 1 interface, 1 riser, 1 entrance panel



Attention: do not directly connect PoE ports to an unsuitable network interface, such as a device powered by a different voltage. Connect the UP LINK port to a suitable port, never to a PoE port.

Note: to connect the devices it is possible to use both types of wiring (diagram A or diagram B) or even mixed ones.

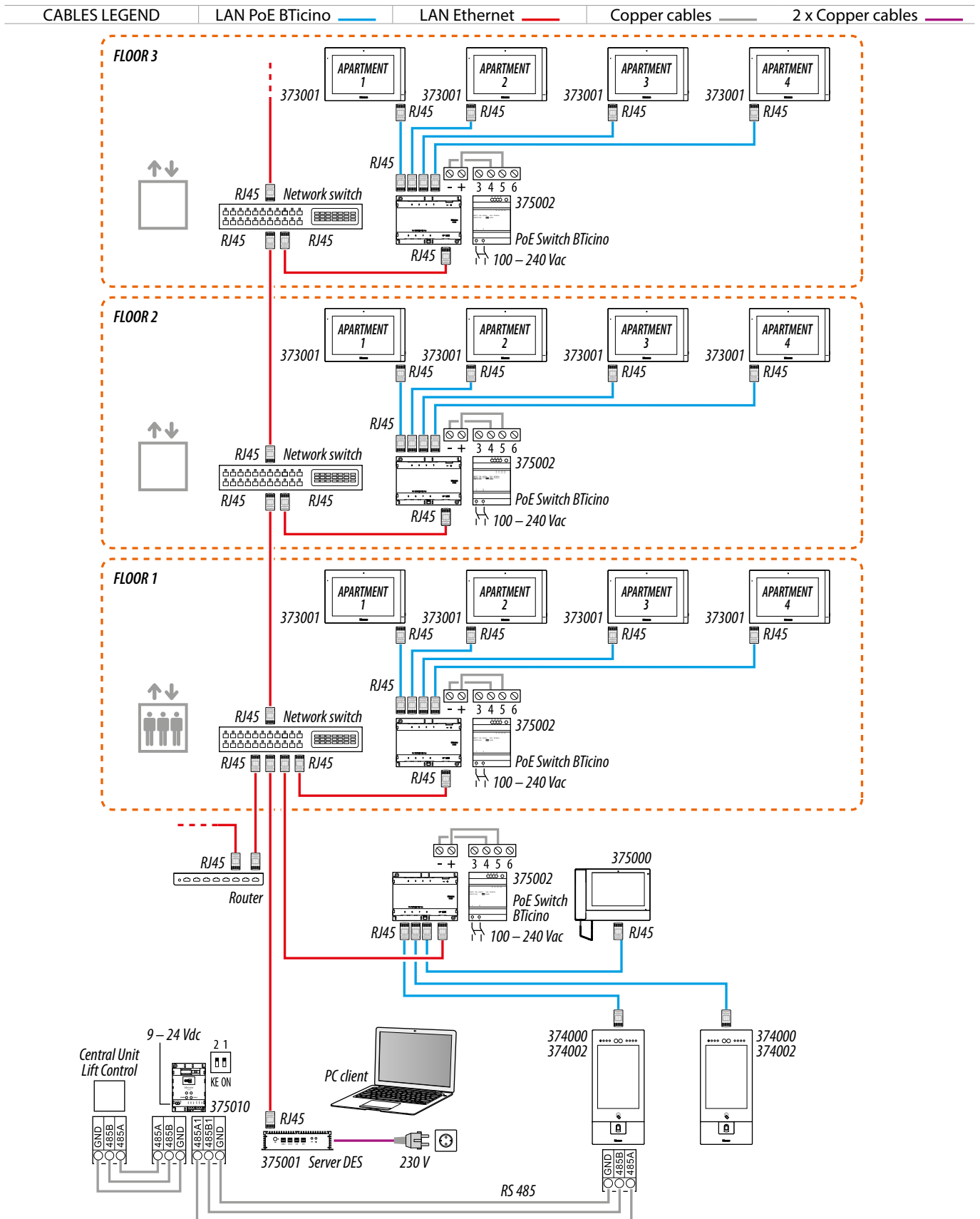
Diagram 2 : 2 (or more) lift control units, 2 (or more) interfaces, 2 (or more) risers, 1 entrance panel



Attention: do not directly connect PoE ports to an unsuitable network interface, such as a device powered by a different voltage. Connect the UP LINK port to a suitable port, never to a PoE port.

Note: to connect the devices it is possible to use both types of wiring (diagram A or diagram B) or even mixed ones.

Diagram 3 : 1 lift control unit, 1 interface, 1 riser, 2 (or more) entrance panels



Attention: do not directly connect PoE ports to an unsuitable network interface, such as a device powered by a different voltage. Connect the UP LINK port to a suitable port, never to a PoE port.
Note: to connect the devices it is possible to use both types of wiring (diagram A or diagram B) or even mixed ones.

Software installation

The device is configured using the BTicino Lift Configuration software

Setup - BTICINOLiftConfSuite

1

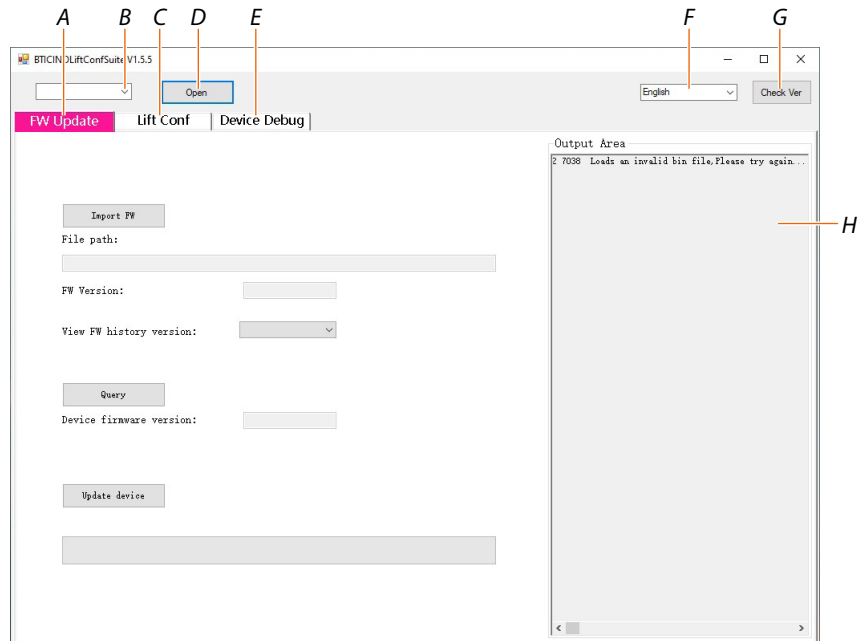
1. Run the installation file as administrator



2. Follow the instructions and confirm the various steps to continue, then click to finish

Home page

The Home Page contains some tools for the configuration and for the update of the hardware and the firmware of Lift Control interface 375010.

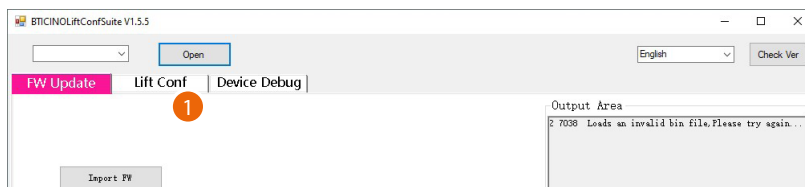


- A Opens the **software and hardware update** page
- B Selects the COM port to which the device is connected
- C Opens the **configuration** page
- D Starts the connection with the selected port (Open), or closes the connection (Close)
- E Opens a page that can be used to set which **debug frame to display**
- F Sets the software language
- G Checks for new software. If a more recent software version is found, this is installed automatically (see the "**Software and firmware update**" section)
- H Displays the operation carried out

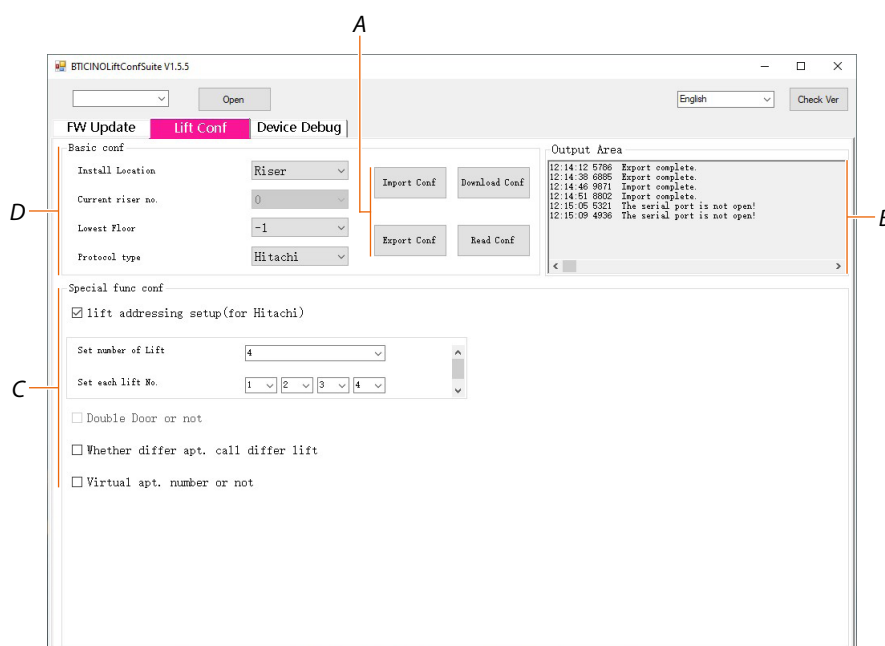
NOTA: Other configurations are only available for some CLC manufacturers.

Configuration (Lift Conf)

Run the BTicino Lift Configuration software



1. Click to open the configuration page

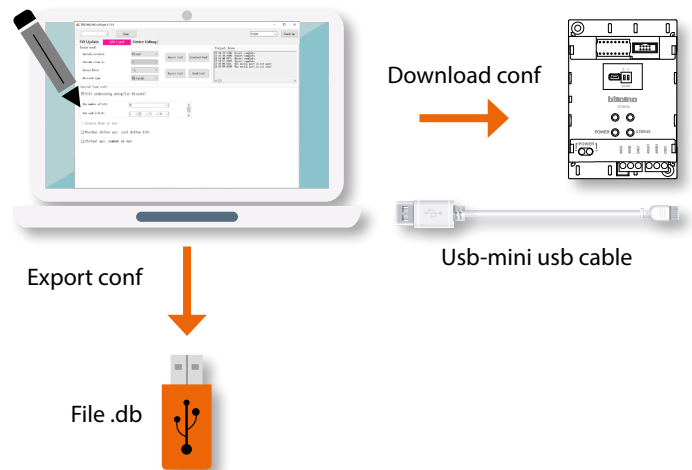


- A Configuration management keys
- B Displays information on the operations carried out
- C Area used to perform **advanced configurations** depending on the type of protocol used on the CLC connected to the device.
- D Area used to perform **basic configurations**.

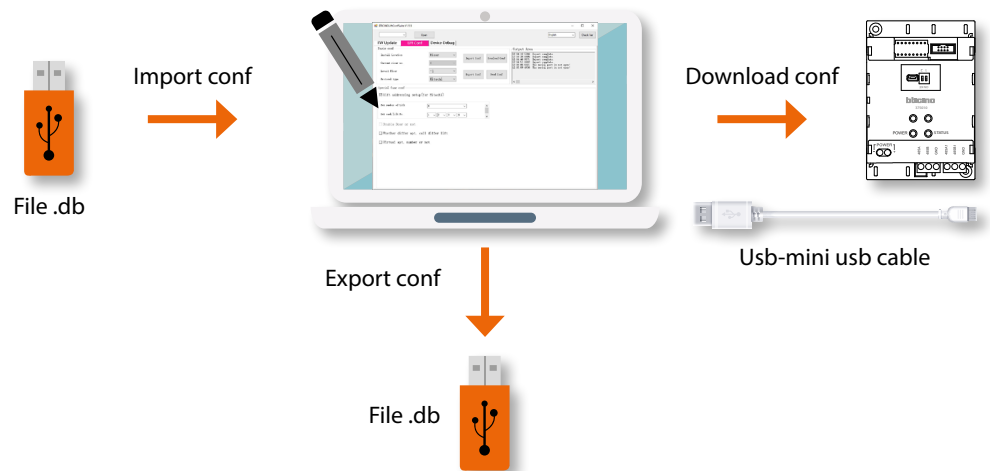
NOTE: Other configurations are only available for some CLC manufacturers.

The device may be configured in different ways depending on specific needs:

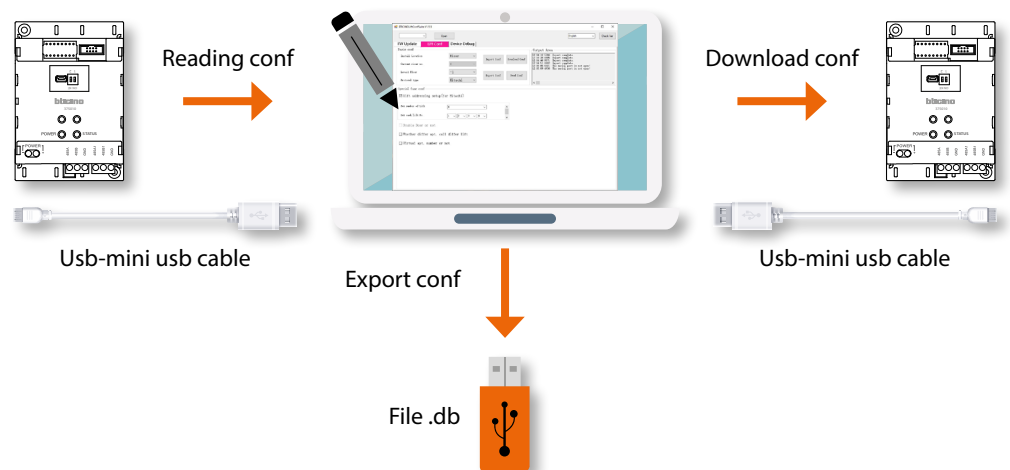
- Create a new configuration by **entering the parameters** and sending them to the device (Download Conf.). It is also possible to save the configuration as a file for future use (Export Conf.)



- Create a new configuration by importing an existing project file (Import Conf), **editing the parameters** and sending them back to the device (Download Conf)



- Load the configuration already on the device (Reading Conf), update it as necessary and send it to the device (Download Conf)

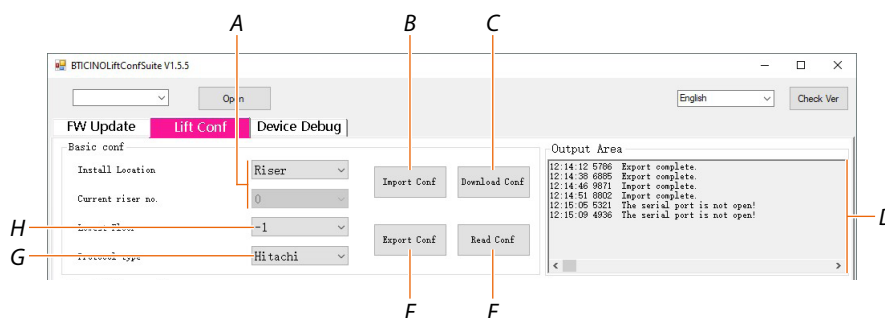


Basic configuration (Basic conf)

This Area can be used for some basic configurations:

- Define the type of EP controlling the lift
- Define the lowest floor that can be reached by the lift
- Select the type of protocol used by the CLC manufacturer

Using the appropriate keys, it is also possible to manage the device configuration.



A Select:

- "Riser" if the EP controlling the lift is a Riser EP
- "Building" if the EP controlling the lifts is a Building (multi Riser) EP; in this case, it will be necessary to indicate the Riser number corresponding to the interface being configured (*)

***NOTE:** When configuring several interfaces of the same building, the configuration must be repeated for each interface.

B Import the configuration from a previously saved configuration file (.db)

C Send the configuration to the device

NOTE: To confirm the modifications, always perform this operation after changing the configuration

D Display information on the operations carried out

E Load the configuration on the device to the software

F Save the configuration as a file (.db)

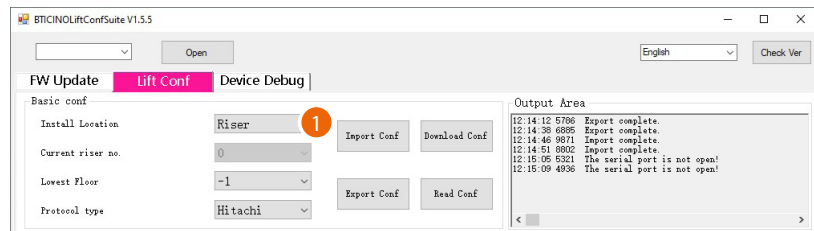
G Select the type of protocol used by the CLC manufacturer.

NOTE: The list of available protocols is constantly evolving, please run the software update when available to keep it up to date.

NOTE: If the lift protocol is not available, contact BTicino/Legrand for possible implementation.

H Defines the lowest floor that can be reached by the lift.

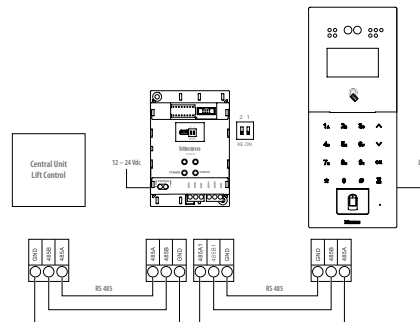
NOTE: In some countries, floor 1 is considered the ground floor.



1. Select whether the EP controlling the lift(s) is a Riser or a Building EP

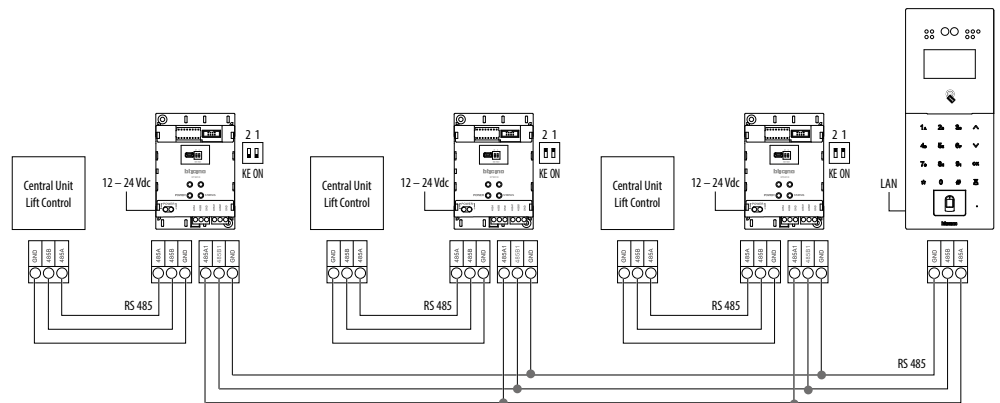
Install Location

Riser EP

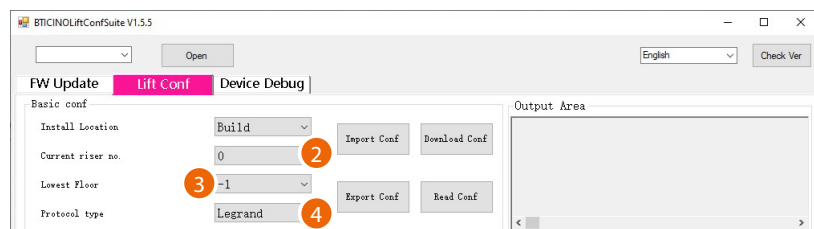


Install Location

Building EP



In case of Riser EP, no other details are required as the EP will only control the one Riser.



In case of Building EP, it will be necessary to indicate the number of the Riser to associate to the device

2. Select the Riser number
3. Indicate the lowest floor number that can be reached by the lift
4. Select the type of protocol used by the manufacturer of the CLC connected to the device
5. It is now possible to proceed with the [advanced configuration](#) or to [send the project to the device*](#)

***CAUTION:** Using the "send the project to the device" function will forward all the parameters of the page, both basic and advanced.

Advanced configuration (Special func conf)

This area can be used to make some special configurations, such as:

- Set the number of lifts controlled by a CLC
- Define the type of opening (front/back/both) of the lift
- Define which lift to call based on the distance between the apartment and the lift
- Change the logical apartment numbering sequence

NOTE: not all the functions shown are available for all brands.

Special func conf

A lift addressing setup (for Hitachi)

B Double Door or not

C Whether differ apt. call differ lift

D Virtual apt. number or not

A Enable the **Lift addressing setup** function

B Enable the **Double Door or not** function

C Enable the **Whether differ rooms call differ lifts** function

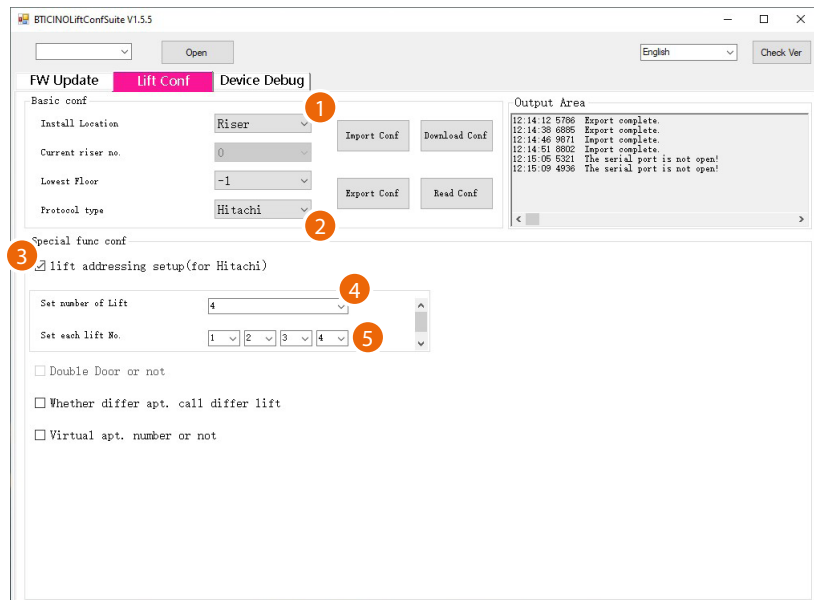
D Enable the **Virtual apt number or not** function

After completing the configuration of one or more functions, it will be necessary to **send the project to the device***

***CAUTION:** Using the "send the project to the device" function will forward all the parameters of the page, both basic and advanced.

Lift addressing setup

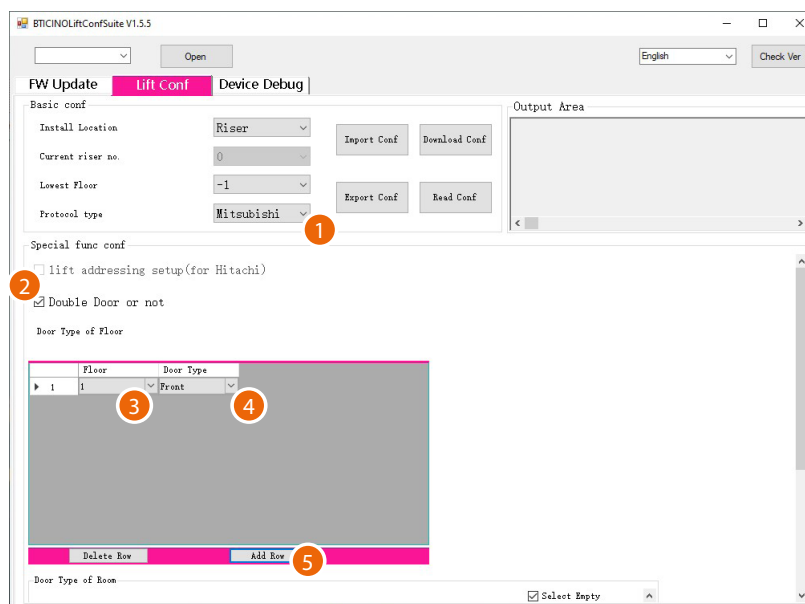
This function sets the number of lifts controlled by a CLC connected to the device, and their address.



1. Select «Riser»
2. Select, for example, Hitachi
3. Select to enable the function
4. Select the number of managed lifts
5. Select the address for each lift

Double Door or not

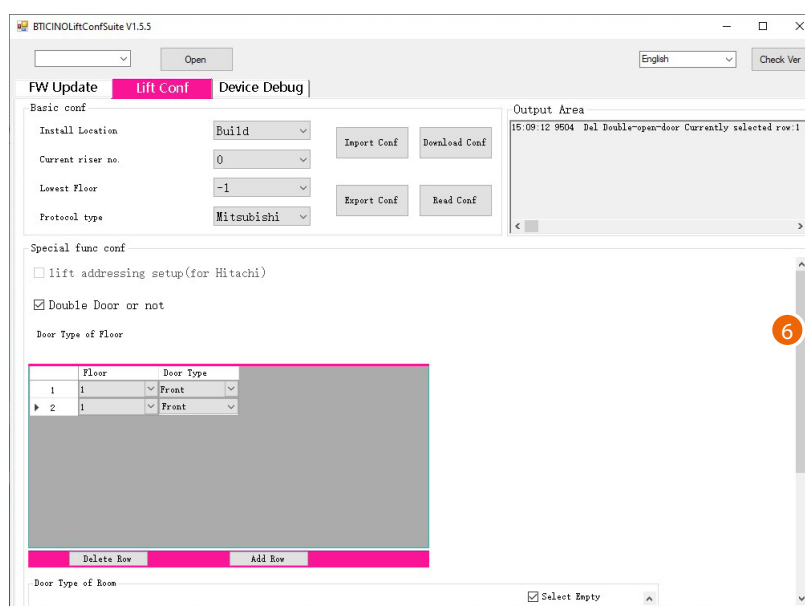
This function allows to define the type of lift door opening (front/back/both), following a call for each floor and/or each apartment.



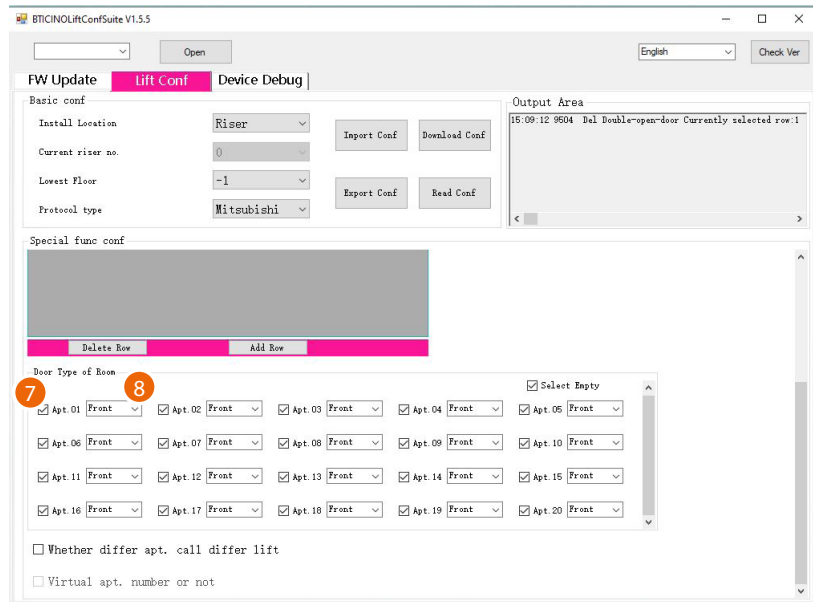
1. Select, for example, Mitsubishi
2. Select to enable the function
3. Select the floor* number to set
4. Select which door opens when the lift reaches the floor: front, back or both
5. If necessary, touch to configure another floor

***NOTE:** This type of configuration is suggested for managing common areas / commercial areas

NOTE: For non-configured floors, the default opening is the front door opening.



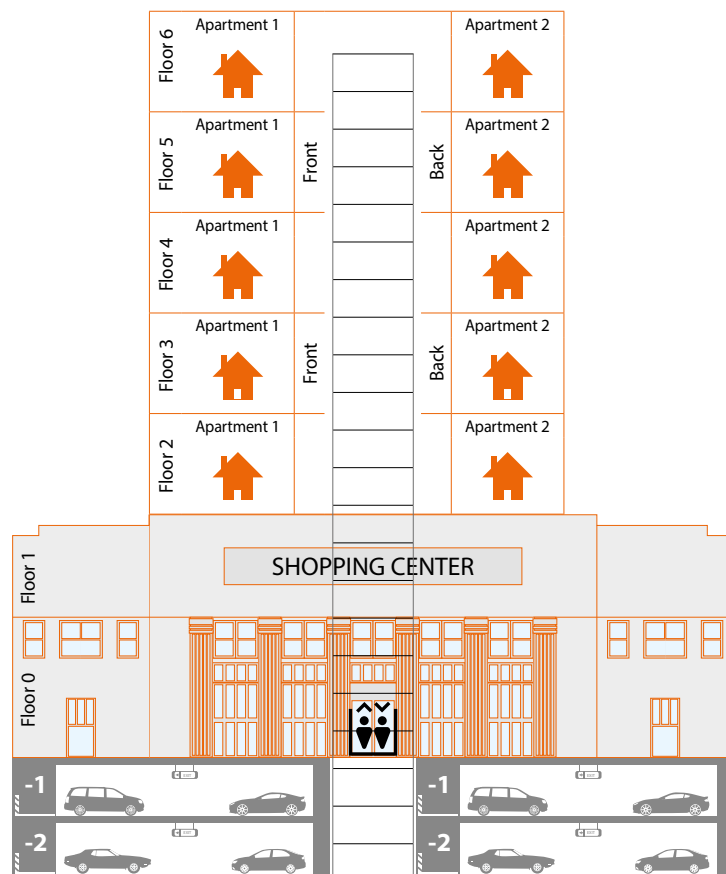
6. Scroll down to display the section that allows to complete the same configuration, but applicable when the call is referred to a specific floor



NOTE: No floor is defined in this section. This simplification requires ALL THE FLOORS to be the same. Also the topology (dimensions, position and apartment numbering) of each floor is normally the same. Check if this solution is compatible with the project. If there are different types of floors, complete the configuration based on the highest number of similar floors.

7. Select the apartment*
8. Select which door opens when the lift reaches an apartment: front, back or both

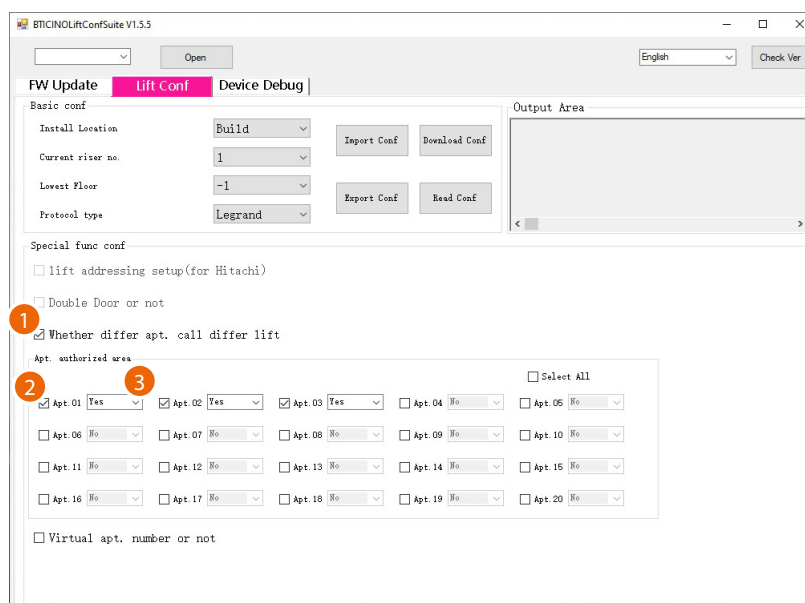
***NOTE:** This type of configuration is suggested for the management of apartments



NOTA: The floor and the apartment configurations are independent of each other.

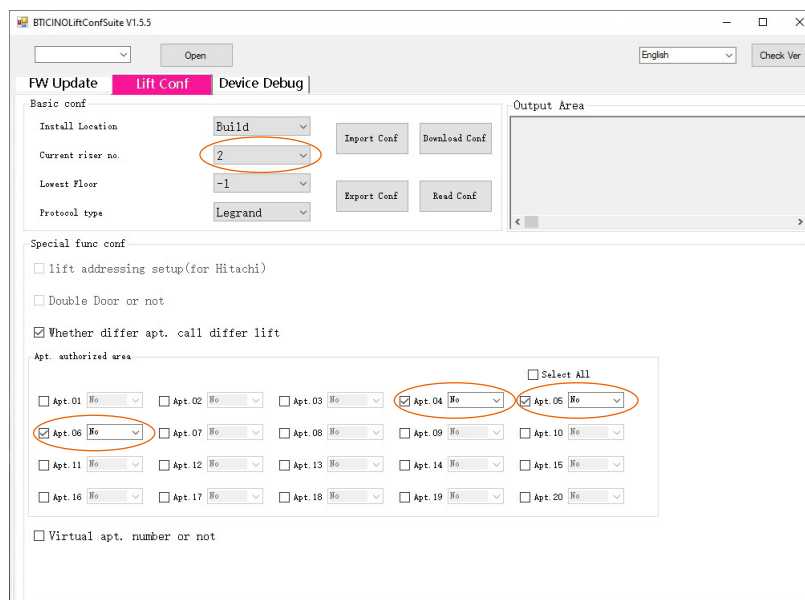
Whether differ rooms call differ lifts

This function allows to set which lift to use for each individual lift.



NOTE: No floor is defined in this section. This simplification requires ALL THE FLOORS to be the same. Also the topology (dimensions, position and apartment numbering) of each floor is normally the same. Check if this solution is compatible with the project. If there are different types of floors, complete the configuration based on the highest number of similar floors.

1. Select to enable the function
2. Selects the apartments that will call the lift of the riser specified in the "current riser number" field (the example in the screen shows riser 1)
3. Select «yes» to confirm



NOTE: No floor is defined in this section. This simplification requires ALL THE FLOORS to be the same. Also the topology (dimensions, position and apartment numbering) of each floor is normally the same. Check if this solution is compatible with the project. If there are different types of floors, complete the configuration based on the highest number of similar floors.

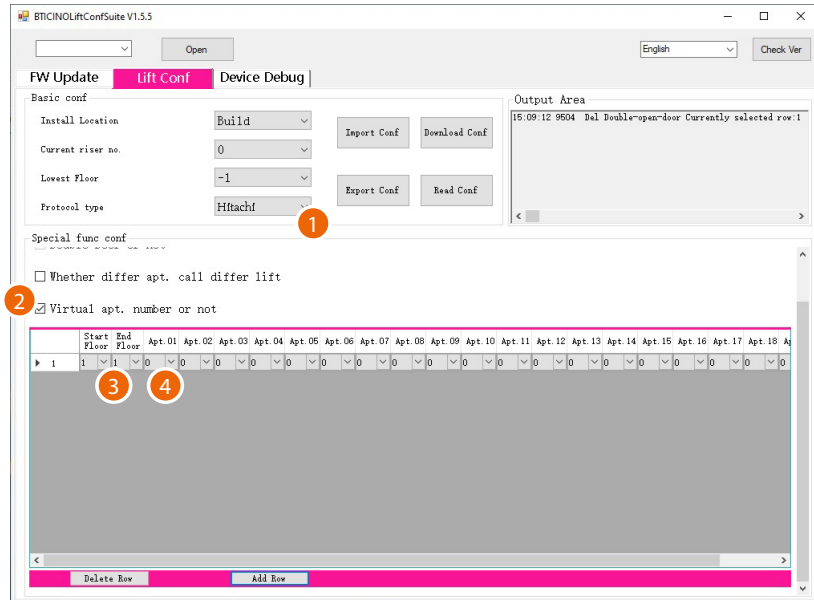
The configurations must not overlap. Therefore, when configuring another riser/lift (e.g. no. 2), it will not be possible to select the same apartments already configured in riser/lift 2.

***CAUTION:** Using the "send the project to the device" function will forward all the parameters of the page, both basic and advanced.

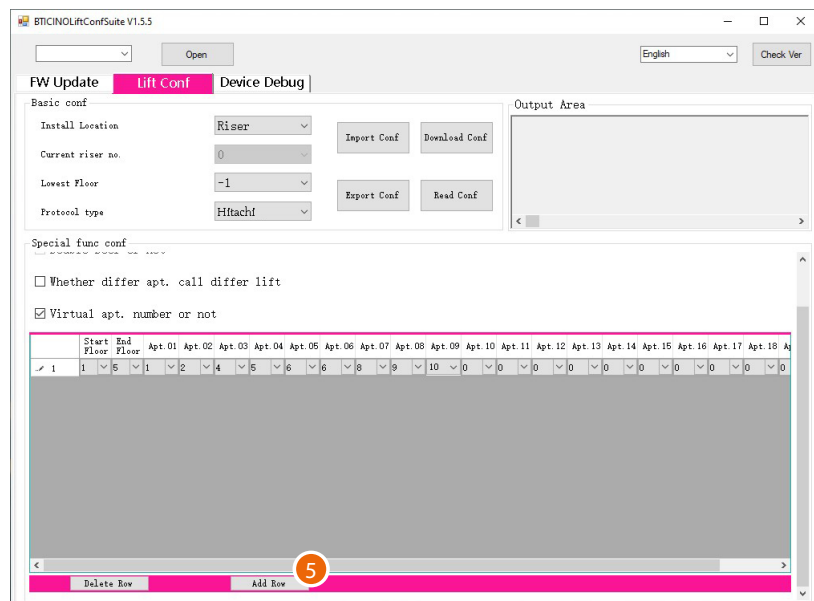
Virtual apt number or not

This function can be used to change the logical apartment numbering sequence (example skipping number 3) for a series of floors (for example floors 1 to 5)

ATTENTION: To be valid, this configuration must also be entered in the Address Book of the system



1. Select, for example, Hitachi
2. Select to enable the function
3. Select the start and end floor of the series
4. For each apartment, select the corresponding number, as shown in the example



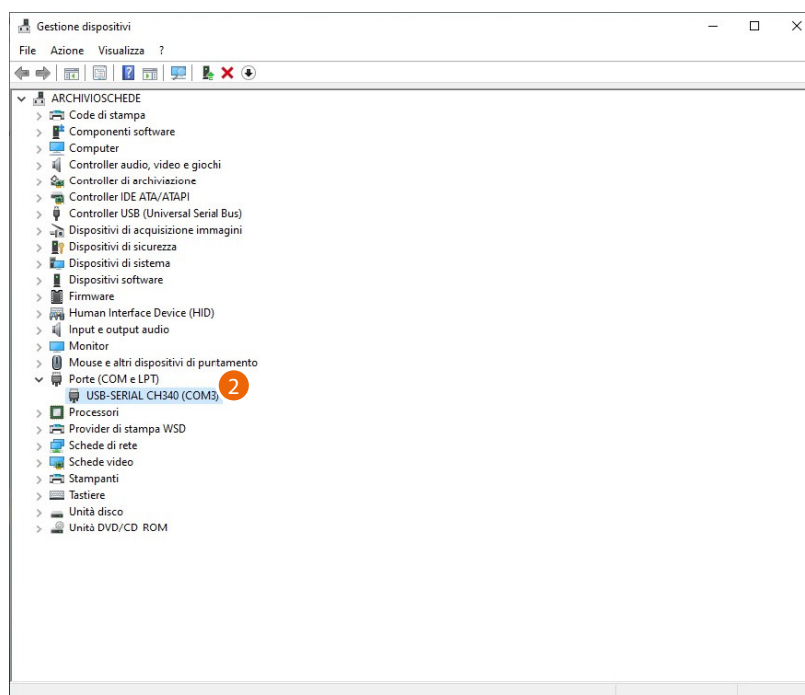
5. If required, click to configure another floor

Send the project to the device

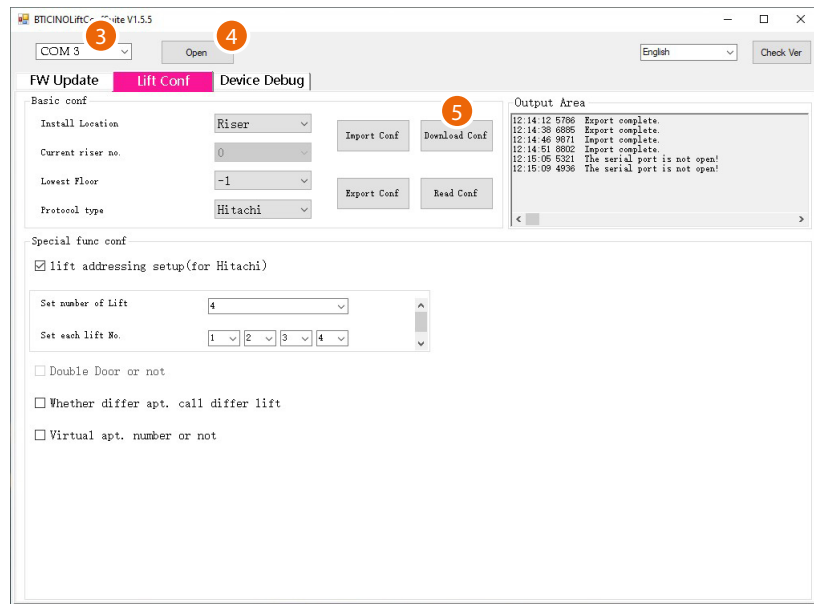
After configuring the project, this must be sent to the device



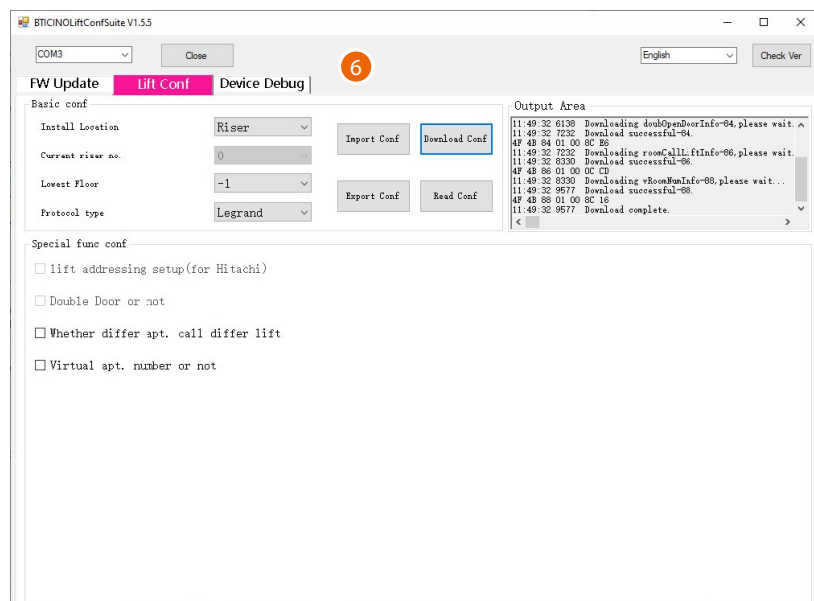
1. Connect the device to the PC using a USB-mini USB cable



2. In the operating system's device manager, identify the com A port to which the device is connected



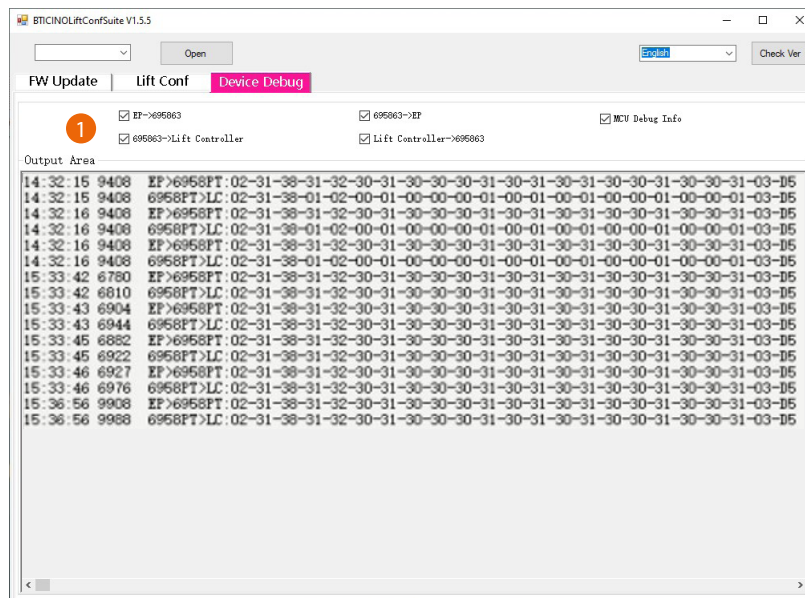
3. Select the com A port to which the device is connected
4. Click to connect
5. Click to send the configuration



6. In the output area, a message will indicate the end of the operation. Touch to end the connection

Device debug

This page can be used to show events and operations performed in the system



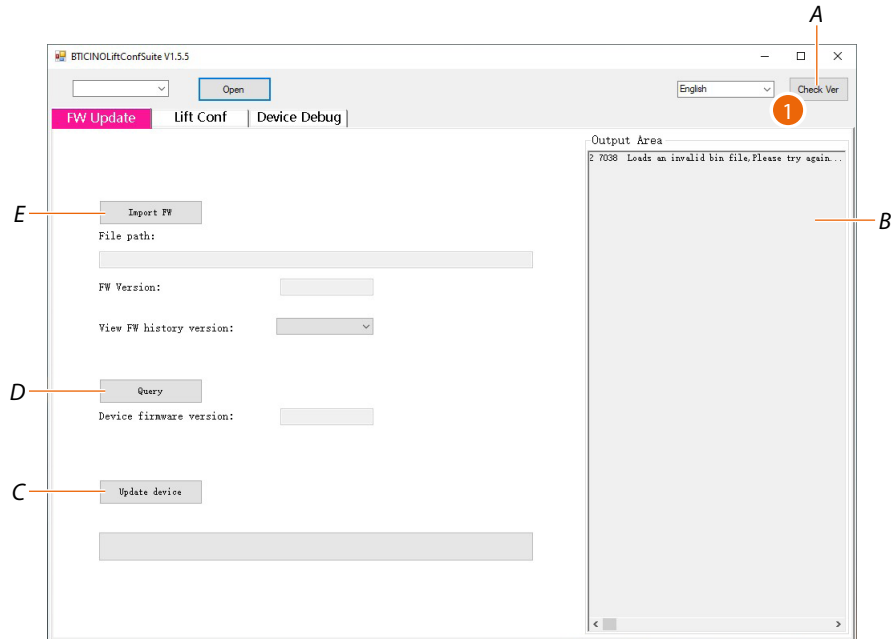
1. Select the operations to display

- EP->695863 Operations from EP to the device (375010)
- 695863->Lift Controller Operations from device (375010) to CLC
- 695863->EP Operations from device (375010) to EP
- Lift Controller->695863 Operation from CLC to device (375010)
- MCU Debug Info Internal debug info

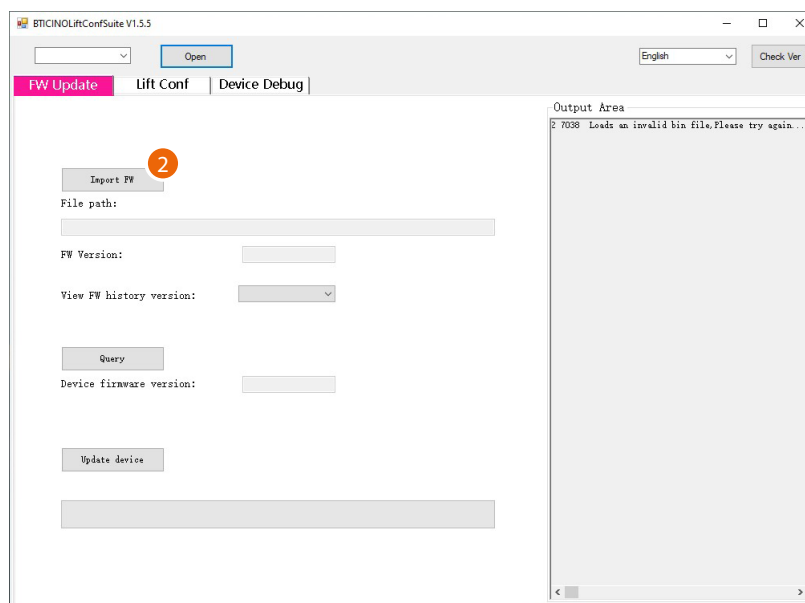
Software and firmware update (FW Update)

When checking for software updates (Check Ver), if a new version is available, it will be downloaded and installed automatically.

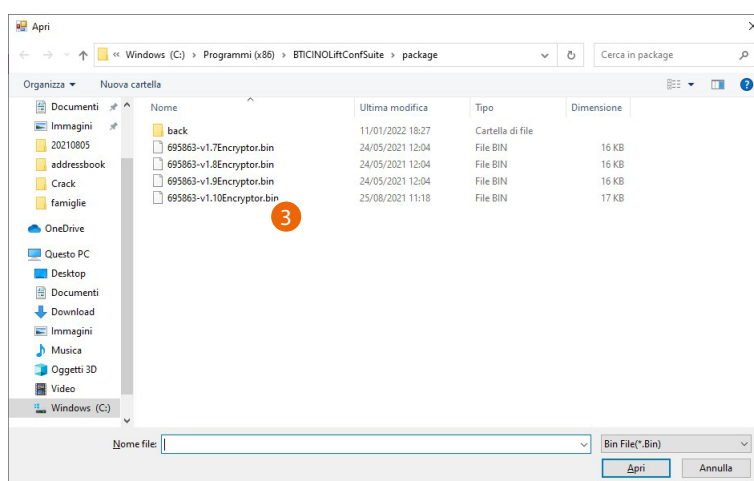
A Firmware (.bin) update file will also be downloaded, with bug fixes, improvements and updates to the database of the lift control manufacturers.



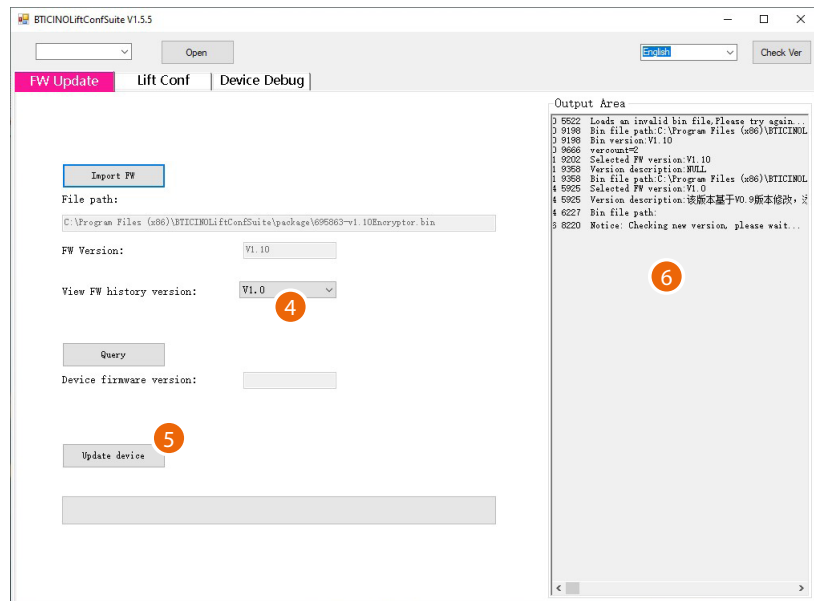
- A Automatic check and installation of software updates
 - B Area showing the operations carried out
 - C Updates the device firmware
 - D Checks the firmware version of the device
 - E Imports the firmware update file in the software protocol database
1. Click to check for software updates



2. Click to check if the software update has also downloaded a firmware update file.



3. Check if folder "C:\Program Files (x86)\BTicino Lift Configuration\package" contains a new file and select it to make it available in the software database.



4. Select the desired version from the software database
5. Click to send the firmware from the software database to the device
6. The box shows the receipt confirmation

BTicino SpA
Viale Borri, 231
21100 Varese
www.bticino.com
