


70002622	DATA SHEET	
valid from: 01.01.2019	ÖLFLEX® SPIRAL 400 P	

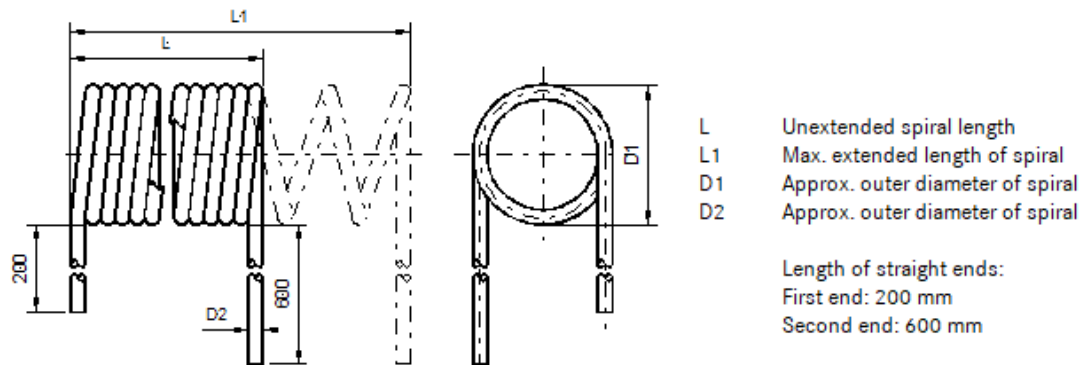
Application

ÖLFLEX® SPIRAL 400 P cables are oil resistant cables with Polyurethane outer sheath, for flexible use and fixed installation for medium mechanical abuse. They are for use in dry, damp or wet conditions. With consideration to the specified temperature range it is possible to use it outside. ÖLFLEX® SPIRAL 400 P cables are increased oil resistant and at room temperature generally resistant against acids and caustics solution. The outer sheath is resistant against high mechanical use, particularly to abrasion cuts, microbe proof and hydrolysis resistant. ÖLFLEX® SPIRAL 400 P cables are designed for use under rough working conditions and to high wear and tear. The strength of recoiling and the extension lengths up to 3 times of the original length are features of the high quality.

Application range:

Control and power cables in machines, mechanical engineering and apparatus construction

Dimensions



Design

Design	based on standard EN 50525-2-21 bzw. VDE 0285-525-2-21 EN 50525-2-51 bzw. VDE 0285-525-2-51
Conductor	fine wire strands of bare copper, acc. to IEC 60228 resp. VDE 0295, Class 5
Insulation	Lapp special PVC compound P8/1, better than PVC compound TI2, acc. To EN 50363-3 resp. VDE 0207-363-3
Core identification code	acc. to VDE 0293-1, with or without GN/YE ground conductor black cores with white numbers acc. to DIN EN 50363-3 resp. VDE 0207-363-3
Outer sheath	Polyurethan compound Tmpu acc. to EN 50363-10-2 resp. VDE 0207-363-10-2 colour: silver grey, similar RAL 7001

Electrical properties at 20°C

Rated voltage	300 / 500 V
Test voltage	4000 V AC

Mechanical and thermal properties

Temperature range	occasional flexing: +5 °C up to +50 °C max. conductor temperature
Oil resistance	acc. to EN 50363-10-2 resp. VDE 0207-363-10-2
Tests	acc. to IEC 60811, EN 50395, EN 50396
General requirements	These cables are conform to the EU Directive 2014/35/EU (Low Voltage Directive)

Creator: ROKR / PDC	Document: DB70002622EN	Page 1 of 1
Released: ALTE / PDC	Version: 03	