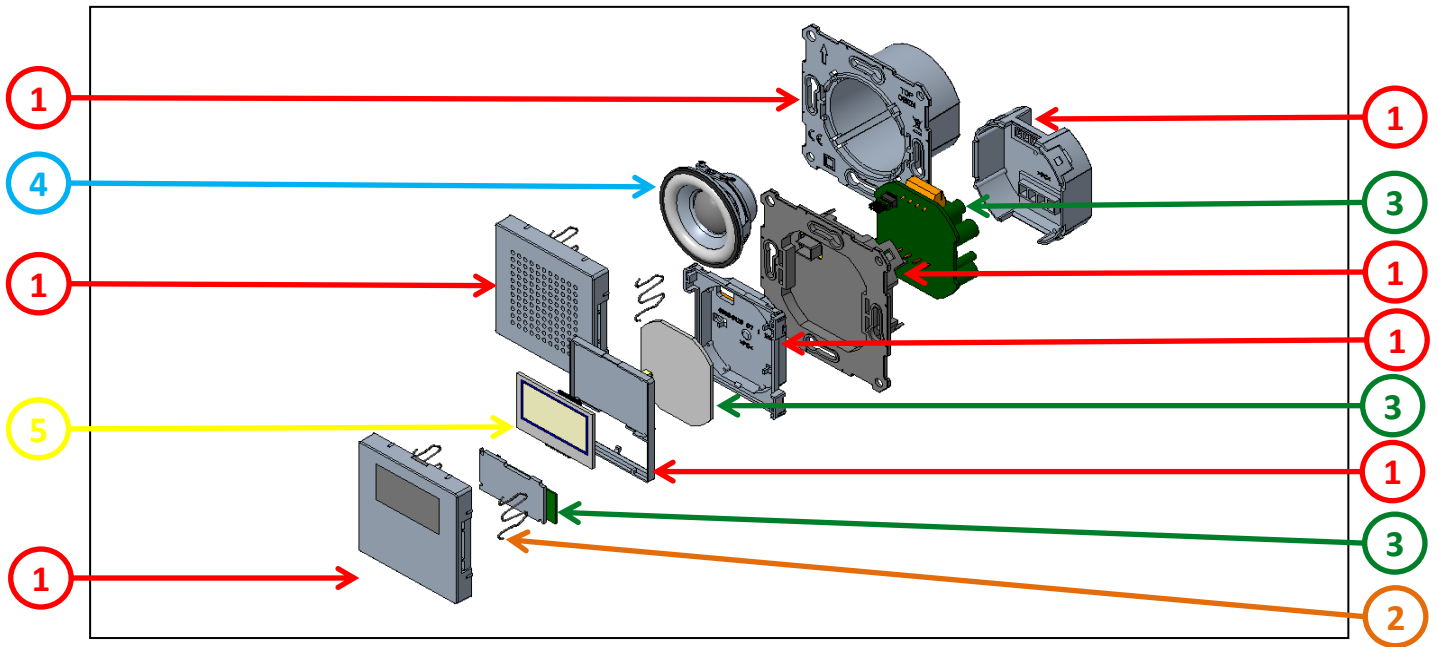


# Product End of Life Instructions

**FM/DAB/DIGITAL RADIO SET SYS M**



## End of Life Instructions



| Recommendation   | Number on drawing | Component / Material                                 | Weight (in g) | Comment   |
|------------------|-------------------|--|---------------|-----------|
| To be dismantled | 1                 | Front Base / PC                                      | 6.5           |           |
| To be dismantled | 1                 | Front Cover / PC                                     | 12            |           |
| To be dismantled | 1                 | Display-Holder / PC                                  | 3.3           |           |
| To be dismantled | 1                 | Rear-Base / PC                                       | 11            |           |
| To be dismantled | 1                 | LS-Base / PC   | 27            |           |
| To be dismantled | 1                 | Rear-Cover / PC                                      | 11            |           |
| To be dismantled | 1                 | LS-Cover / PC  | 11            |           |
| To be dismantled | 2                 | W-Spring / Stainless steel                           | 0.72          |           |
| To be depolluted | 3                 | Electronic Board (Communication) > 10cm <sup>2</sup> | 7             | Main PCB  |
| To be depolluted | 3                 | Electronic Board (Communication) > 10cm <sup>2</sup> | 30            | Power PCB |
| To be depolluted | 3                 | Electronic Board (Communication) > 10cm <sup>2</sup> | 4             | Touch PCB |
| To be depolluted | 4                 | Loudspeaker  | 33.5          |           |
| To be depolluted | 5                 | Display  | 3             |           |

## Product description

|                                       |  |
|---------------------------------------|--|
| Manufacturer identification           | Schneider Electric Industries SAS  |
| Brand name                            | Schneider Electric   |
| Product function                      | The main function of Radio set is to receive DAB+FM radio programmes. Furthermore, it can receive and play music streams via Bluetooth if another device is connected. |
| Product reference                     | MEG4375-0303   |
| Additional similar product references | MEG4375-0303   |
| Total representative product mass     | 155 g  |
| Representative product dimensions     | 142 x 44 x 71  |
| Date of information release           | 02/2021  |



## Additional information

### Legal information

This product family is in the scope of European Union directive 2012/19/EU on Waste Electrical and Electronic Equipment (WEEE). The product family must be disposed according to the legislation of the country. This document is intended for use by end of life recyclers or treatment facilities. It provides the basic information to assure an appropriate end of life treatment for the components and materials of the product.

### Recyclability potential

**7%** Based on "ECO'DEEE recyclability and recoverability calculation method" (version V1, 20 Sep. 2008 presented to the French Agency for Environment and Energy Management: ADEME).

Schneider Electric Industries SAS  
 Country Customer Care Center  
<http://www.schneider-electric.com/contact>  
 35, rue Joseph Monier  
 CS 30323  
 F- 92506 Rueil Malmaison Cedex  
 RCS Nanterre 954 503 439  
 Capital social 896 313 776 €

[www.schneider-electric.com](http://www.schneider-electric.com)

ENVEOLI2012018

Published by Schneider Electric

© 2019 - Schneider Electric – All rights reserved

02/2021