



# MASTER LEDspot LV



## MAS LEDspotLV D 7.5-50W 927 MR16 24D

Delivering intense accent beam, MASTER LEDspot LV is an ideal retrofit solution for spot lighting. MASTER LEDspot LV is designed to replace halogen or incandescent spots. It realizes natural colors, enables cozy and comfortable ambience for residential, hospitality and emphasizes the beauty of merchandise in retail. New smaller housing provides perfect fitting with majority of luminaires in a market with a MR16 GU 5.3 holder. It not only employs Philips' patented solution to guarantee the broadest possible compatibility with standard 12V halogen electronic transformers, it also delivers high beam intensity which is equivalent to halogen MR16 spots. The dimming function enables to create the desired atmosphere and it works with broad selection of dimmers. Its high SDCM ensure stricter color consistency, that is maintained over product life. MASTER LEDspot LV delivers huge energy savings and minimizes maintenance cost without any compromise on light quality and lifetime, enabling residential and business owners to achieve a return on their investment within short period time.

### Product data

General Information		Operating and Electrical	
Cap-Base	GU5.3	Correlated Color Temperature (Nom)	2700 K
Nominal lifetime	40,000 hour(s)	Luminous Efficacy (rated) (Nom)	82.00 lm/W
Switching Cycle	50,000	Color Consistency	<4
Lighting Technology	LED	Color rendering index (CRI)	90
Flux measurement reference	Narrow Cone	LLMF At End Of Nominal Lifetime (Nom)	70 %
		Luminous Flux in 90° Cone (Rated)	621 lm
		Photobiological safety according to EN 62471	RG1
Light Technical			
Color Code	927 [CCT of 2700K]	Line Frequency	- Hz
Beam Angle (Nom)	24 degree(s)	Input Frequency	- Hz
Luminous Flux	621 lm	Power Consumption	7.5 W
Luminous Intensity (Nom)	3,900 cd	Lamp Current (Nom)	720 mA
Color Designation	Warm White (WW)		

# MASTER LEDspot LV

Wattage Equivalent	50 W
Starting Time (Nom)	0.5 s
Warm-up time to 60% light	0.5 s
Power Factor (Fraction)	0.7
Voltage (Nom)	ac electronic 12 V

## Temperature

T-Case Maximum (Nom)	90 °C
----------------------	-------

## Controls and Dimming

Dimmable	Only with specific dimmers
----------	----------------------------

## Mechanical and Housing

Bulb Shape	MR16
Net Weight (Piece)	0.052 kg

## Approval and Application

Energy Efficiency Class	F
Suitable For Accent Lighting	Yes
Energy Consumption kWh/1000 h	8 kWh
EPREL Registration Number	465196

CE mark	Yes
EU RoHS compliant	Yes
EyeComfort	Yes

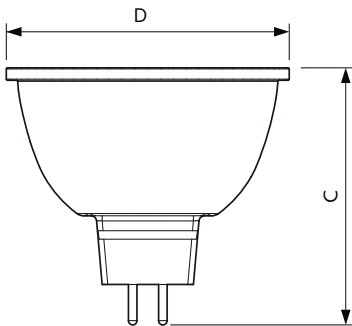
## Application Conditions

can it be used in closed luminaires	No
-------------------------------------	----

## Product Data

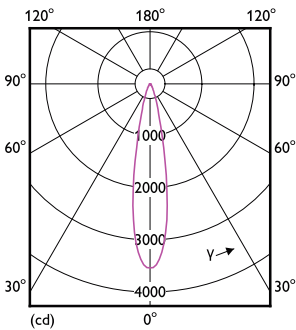
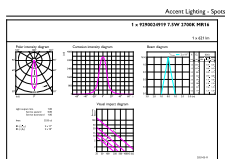
Order product name	MAS LEDspotLV D 7.5-50W 927 MR16 24D
Full product name	MAS LEDspotLV D 7.5-50W 927 MR16 24D
Full product code	871951430746900
Order code	929002491902
Material Nr. (12NC)	929002491902
Numerator - Quantity Per Pack	1
EAN/UPC - Product/Case	8719514307469
Numerator - Packs per outer box	10
EAN/UPC - Case	8719514307476

## Dimensional drawing



Product	D	C
MAS LEDspotLV D 7.5-50W 927 MR16 24D	50 mm	45.5 mm

## Photometric data

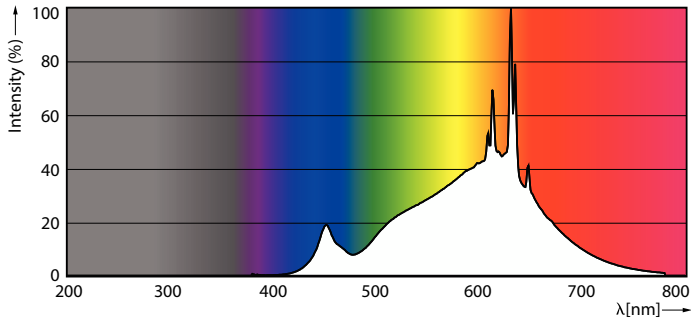


Accent Lighting Spots - MAS LEDspotLV D 7.5-50W 927 MR16 24D

Light Distribution Diagram - MAS LEDspotLV D 7.5-50W 927 MR16 24D

# MASTER LEDspot LV

## Photometric data



Spectral Power Distribution Colour - MAS LEDspotLV D 7.5-50W 927 MR16 24D

## Lifetime



Life Expectancy Diagram



Lumen Maintenance Diagram - MAS LEDspotLV D 7.5-50W 927 MR16 24D

