

Product Data Sheet

GW35214W

DAHLIA - Domestic range

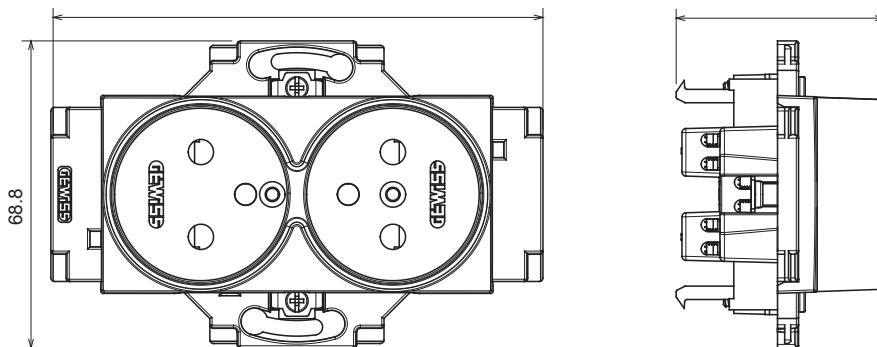


Residential series suitable for installations on round and square boxes, characterised by an elegant appearance and classic shapes. The plates, made of technopolymer in seven colours and with different modularities, from 1 to 5-gang, can be installed in both horizontal and vertical positions. The series, developed around a core of monobloc devices, is available in two colours: white and ivory, both with a glossy finish. Expandable with ChorusSmart modular devices.

| | | | |
|--|---|---------------------------------|----------------------|
| Category | Socket-outlet | Standard | French standard |
| Colour | White | Material | Technopolymer |
| Finishing | Glossy | Description | 2P+E - 16A |
| Voltage | 250 V ac | Type | Double |
| For plug pins | Ø 4 / 4.8 mm | Characteristics | With safety shields |
| Type of terminals | With screw | Fixing | With clutches/Screws |
| Glow wire test | 850 °C | Thermo-pressure with ball | 125 °C |
| Resistance at test voltage | 2000 V at 50 Hz for 1 minute | Insulation resistance | > 5 MOhm |
| Prolonged operation socket (no. of position changes) | 10.000 at In 250 V ac cosØ=0,8 | Terminal grip on cable traction | > 50 N |
| Terminal tightening capacity | 0,5-2x2,5 mm ² rigid cables - 0,75-2x4 mm ² flexible cables | Standard | IEC 60884-1 |

DIMENSIONAL

3957



TECHNICAL SYMBOLOGY

GWT

850 °C



125 °C