



CorePro LEDspot LV



CorePro LED spot ND 7-50W MR16 827 36D

CorePro LEDspots are a perfect fit for spot lighting and deliver warm halogen-like light. They are compatible with most existing fixtures with MR16 GU5.3 holders and are designed as a retrofit replacement for halogen or incandescent spots. CorePro LEDspots deliver huge energy savings and minimize maintenance cost.

Product data

General Information		Power Consumption	
Cap-Base	GU5.3	Power Consumption	7 W
Nominal lifetime	15,000 hour(s)	Lamp Current (Nom)	730 mA
Switching Cycle	50,000	Wattage Equivalent	50 W
Lighting Technology	LED	Starting Time (Nom)	0.5 s
Flux measurement reference	Narrow Cone	Warm-up time to 60% light	0.5 s
		Power Factor (Fraction)	0.8
		Voltage (Nom)	12 V
Light Technical		Temperature	
Color Code	827 [CCT of 2700K]	T-Case Maximum (Nom)	85 °C
Beam Angle (Nom)	36 degree(s)		
Luminous Flux	621 lm	Controls and Dimming	
Luminous Intensity (Nom)	1,400 cd	Dimmable	No
Color Designation	Warm White (WW)		
Correlated Color Temperature (Nom)	2700 K	Mechanical and Housing	
Luminous Efficacy (rated) (Nom)	88 lm/W	Bulb Shape	MR16
Color Consistency	<6	Net Weight (Piece)	0.030 kg
Color rendering index (CRI)	80		
LLMF At End Of Nominal Lifetime (Nom)	70 %	Approval and Application	
Luminous Flux in 90° Cone (Rated)	621 lm	Energy Efficiency Class	F
		Suitable For Accent Lighting	Yes
		Energy Consumption kWh/1000 h	7 kWh
		EPREL Registration Number	465221
Operating and Electrical			
Line Frequency	- Hz		
Input Frequency	- Hz		

CorePro LEDspot LV

CE mark	Yes
EU RoHS compliant	Yes
EyeComfort	Yes

Application Conditions

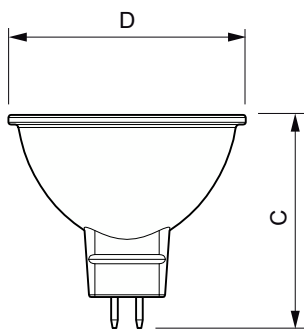
can it be used in closed luminaires	No
-------------------------------------	----

Product Data

Order product name	CorePro LED spot ND 7-50W MR16 827 36D
Full product name	CorePro LED spot ND 7-50W MR16 827 36D

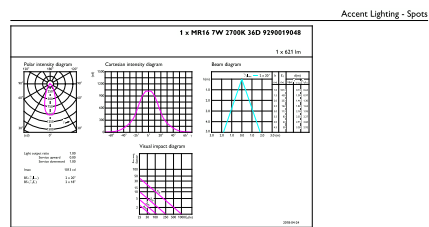
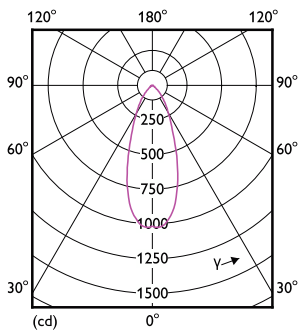
Full product code	871869681471000
Order code	929001904802
Material Nr. (12NC)	929001904802
Numerator - Quantity Per Pack	1
EAN/UPC - Product/Case	8718696814710
Numerator - Packs per outer box	10
EAN/UPC - Case	8718696814727

Dimensional drawing



Product	D	C
CorePro LED spot ND 7-50W MR16 827 36D	50.5 mm	45 mm

Photometric data



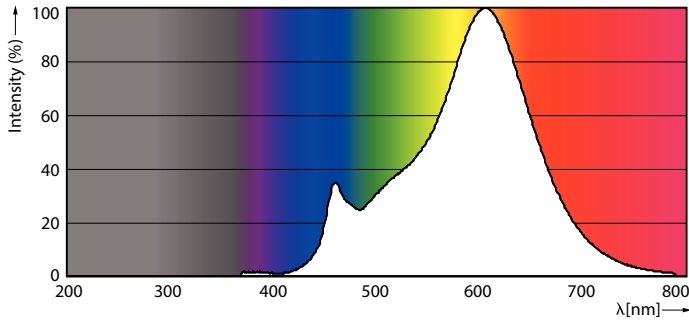
CalcLux Photometrics 4.5 Philips Lighting B.V. Page: 1/1

Light Distribution Diagram - CorePro LED spot ND 7-50W MR16 827 36D

Accent Lighting Spots - CorePro LED spot ND 7-50W MR16 827 36D

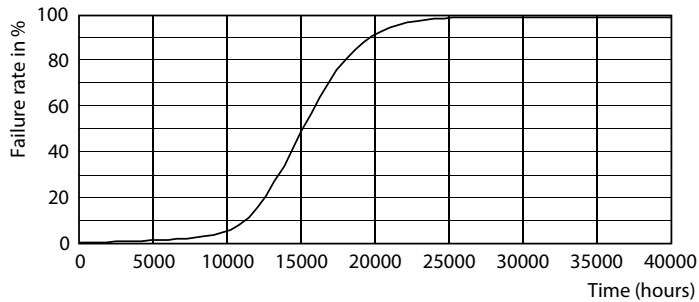
CorePro LEDspot LV

Photometric data

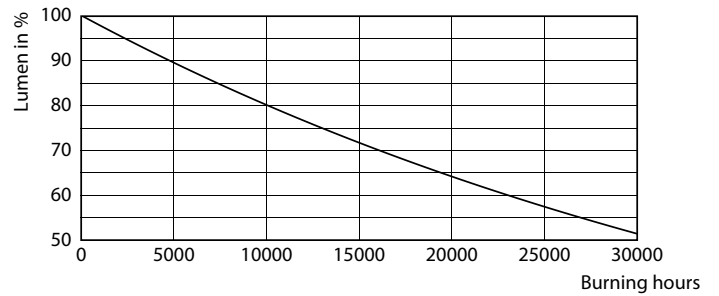


Spectral Power Distribution Colour - CorePro LED spot ND 7-50W MR16 827 36D

Lifetime



LEDspot Corepro 7-50W GU5.3 MR16 827 36D ND



Lumen Maintenance Diagram - CorePro LED spot ND 7-50W MR16 827 36D

