

# Product Data Sheet

## GW46234

46 Range

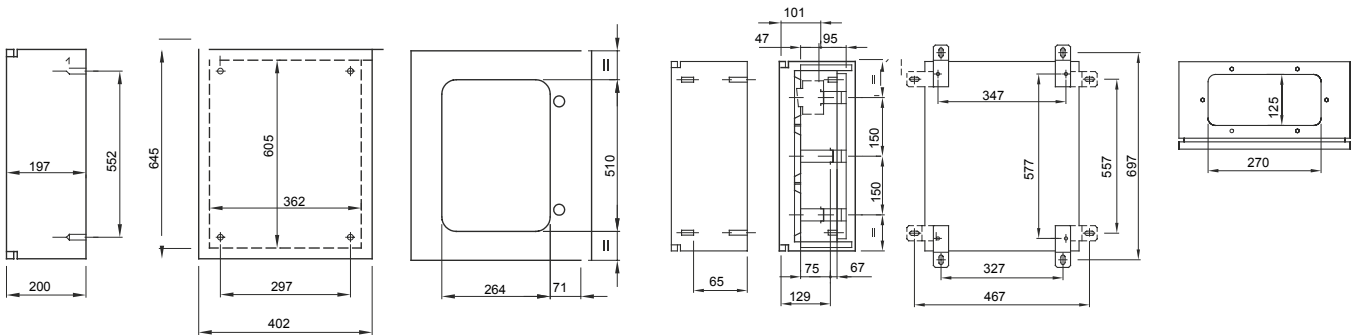
Range of Watertight surface-mounting boards made metallic material. In compliance with IEC 61439-1 (CEI 17/113), IEC 61439-2 (CEI 17/114), IEC 60670-1 (CEI 23/48), IEC 60670-24 (CEI 23/49) e IEC 62208 (CEI 17-87). Available in 7 sizes, transparent and black door versions with IP55 protection degree. Fast&Easy accessories, made in metal, allow the installation of modular devices and moulded-case circuit breakers up to 250A into the boards, reducing assembly times by up to 40%. Indicated for automation and distribution for indoor applications.

|                         |   |                                       |   |
|-------------------------|---|---------------------------------------|---|
| Insulation class        | Pre-arranged with earth terminal                                      | Colour                                | Grey RAL 7035   |
| Nominal dim. LxHxD (mm) | 405x650x200   | IP degree                             | IP55  |
| Material                | Sheet metal from 10/10 to 15/10, painted with epoxy-polyester powders | Mechanical resistance                 | IK08  |
| No. locks               | 2   | No. of modules EN 50022               | 72 (18x4)   |
| Application             | For indoor use  | Dispersible power A (W)               | 135   |
| Dispersible power B (W) | 97  | Functional dim. LxHxD (mm)            | 405x650x200   |
| Operating temperature   | -25 +60 °C  | Type of material                      | Metal   |
| Electrocod              | 0320  | Standard                              | EN 61439-1, EN 61439-2, EN62208, EN 60670-1, IEC 60670-24 |
| Family                  | 46 QM   | Maximum rated insulation voltage (Ui) | 690 V   |
| Type of door            | Door with tempered glass window                                       |                                       |   |

### BEHAVIOUR WITH CHEMICAL AND ATMOSPHERIC AGENTS

| Saline solution    | Acids              |                    | Bases         |               | Solvents  |                    |               |               | Mineral oil | UV rays   |
|--------------------|--------------------|--------------------|---------------|---------------|-----------|--------------------|---------------|---------------|-------------|-----------|
|                    | Concentrated       | Diluted            | Concentrated  | Diluted       | Hexane    | Benzol             | Acetone       | Ethyl alcohol |             |           |
| Limited resistance | Limited resistance | Limited resistance | Not resistant | Not resistant | Resistant | Limited resistance | Not resistant | Resistant     | Resistant   | Resistant |

### DIMENSIONAL



### TECHNICAL SYMBOLOGY

IP

IP55

IK

IK08



### STANDARDS/APPROVALS



GEWISS S.p.A. Via A. Volta, 1  
24069 Cenate Sotto - Bergamo - Italy  
tel. +39 035 94 61 11 fax +39 035 94 69 09

www.gewiss.com  
sat@gewiss.com  
Last update 20/04/2023

Data, measures, designs and pictures are shown only as informative purposes, and could be changed without previous notice