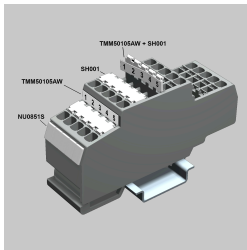
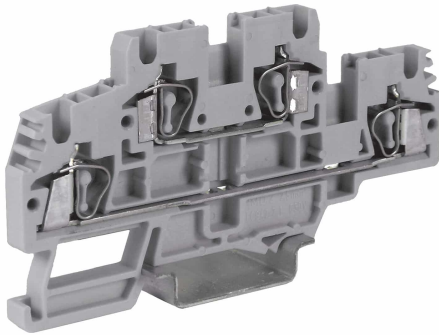

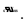




Sping-clamp
terminal block 2.5mm², 2-levels, grey color



Series	HMD
Code	HD100GR
Type	HMD.2/GR
HS code	85369010
Colour	grey
TECHNICAL FEATURES	
Function/Type	2 levels feed-through
Rated cross-section	2.5 mm ²
Connecting capacity	
Flexible wire	0.2-4 mm ²
Rigid wire	0.2-4 mm ²
Wire with ferrule - ferrule type	1.5 mm ² – WP15/14
Electrical characteristics according to IEC EN standard	
Maximum voltage AC/DC	630 V
Maximum current (rated cross-section)	24 A
Caliber	A3
Electrical characteristics according to UL Standard	
Maximum voltage AC/DC	300 V
Maximum current (rated cross-section)	20 A
Section (min-max)	24-12 (AWG)
Electrical characteristics according to ATEX directive and IEC Ex standard	
Maximum voltage AC/DC	400 V
Maximum current (rated cross-section)	24 A
Operating temperature Min/Max	-40 °C / +80 °C
Rated impulse withstand voltage / pollution degree	8 kV / 3
Insulation stripping length	10 mm
Width (pitch)	5.2 mm
Length	91 mm
Height mounted on TH35-7.5/TH35-15/G32	49 / 56 / - mm
Insulation material temperature index (EN 60216-1)	130 °C
Plastic material	Polyamide UL94V-0
ACCESSORIES	
End section	
Grey	HMD/PT/GR (cod. HD101GR)
Blue	-
Thickness	1.5 mm
Cross-connection	
Model A)	PH/2.5-4 (cod. PH100)
Model B)	PHD/2 (cod. PHD02)
Rated current carrying capacity IEC/ATEX	24 A / 24 A
Cross-connection identification strip	-
Internal removable cross-connection	PHD/2 (cod. PHD02)
Coloured partition plate	DFH/4/R (cod. DH04R)
Cross-connection barrier	-
Test plug	-
Modular test plug	-
End section for modular test plug	-
Marking	
Single marking tag	CNU/8/51 (cod. NU0851S) (only on lower level)
Single marking tag for pitch insertion	CNU/8/51 (cod. NU0851S) (only on lower level), SHZ/2 (cod. SH001) + TMM50105AW (cod. TMM50105AW)
End bracket	
TH35 screw type	BT/3 (cod. BT003)
TH35 snap-fit type	BTO (cod. BT007)
TH35 and G32 snap-fit type	BTU (cod. BT005)
DIN rail according to IEC 60715/TH35	PR/3/..
APPROVALS AND MARKINGS	   



1 For more details on accessories, refer to the relevant chapters

DESCRIZIONE DEL PRODOTTO

HMD.2/GR Sping-clamp terminal block 2.5mm², 2-levels, grey color