

53611000	<b>DATA SHEET</b>	
Valid from: 03.07.2018	<b>SKINTOP® DIX AUTOMATION</b>	

The SKINTOP® DIX AS-I is specially developed seal for AS-I bus cables and can be used instead of our standard inner seals in the SKINTOP® cable glands. Applications include lead-in cables in e.g. switch cabinets and control panels.

**Technical features:**

Material	NBR (halogen free, oil resistant)
Size	PG11
Temperature range	-40 °C up to +100 °C
Colour	Black
Protection class	IP54 acc. to EN 60529

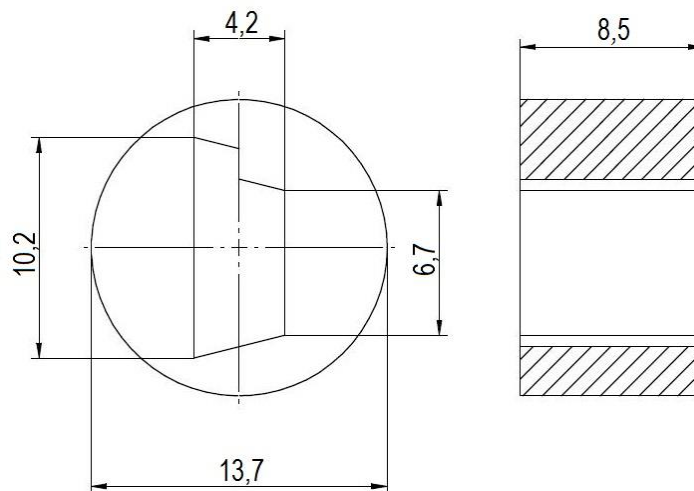
IP68 can be achieved if the hole is optimally occupied  
i. e. when standard AS-I cables are used  
(5 bar, test acc. to EN 60529)



**Norm references:**



**Article No: 53611000**



Dimension units: **mm**

For more information please see our current catalogue. Please do not hesitate to contact our laboratory if there are any questions regarding resistance against aggressive agents and special oil.

Creator: T. Dvoulety /PDP Released: DAMU1/PDP	Document: DB53611000EN Version: 01	Page 1 of 1
--------------------------------------------------	---------------------------------------	-------------