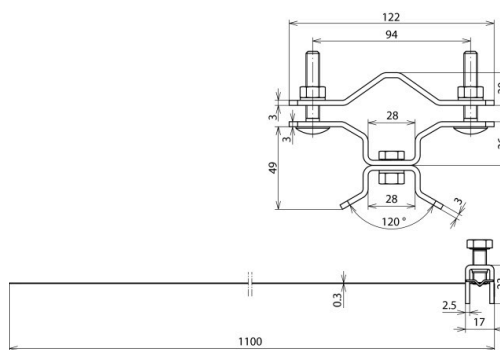


BSC D40.50 SB50.300 V2A (105 160)



Figure without obligation



Arrangement:

Type	BSC D40.50 SB50.300 V2A
Part No.	105 160
Material	StSt
Clamping range Ø of pipe	50-300 mm
Clamping range for air-termination rod	40-50 mm
Material of screw	StSt
Dimensions of strap (w x d)	25 x 0.3 mm
Lightning current carrying capability (10/350 µs)	100 kA ^{*)}
Standard	EN 62561-1
Weight	506 g
Customs tariff number	85389099
GTIN	4013364113022
PU	1 Stk

^{*)} For exact assignment, see test certificate.

We reserve the right to introduce changes in performance, configuration and technology, dimensions, weights and materials in the course of technical progress. The figures are shown without obligation.