

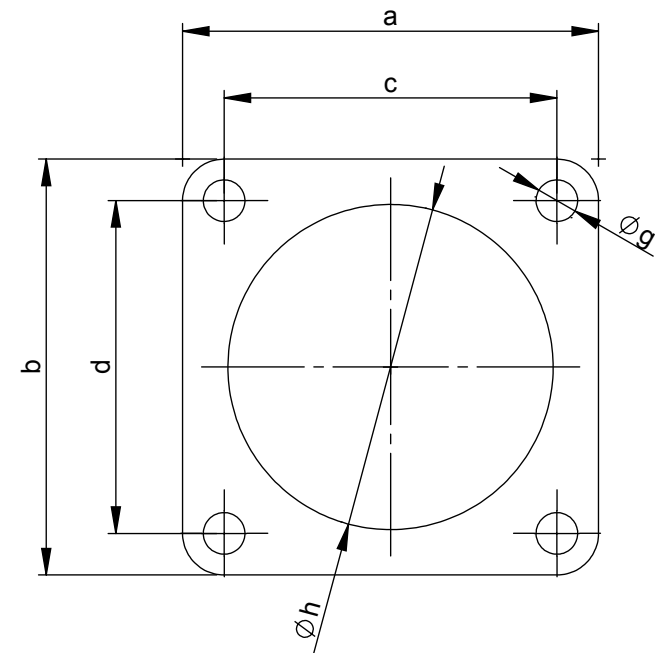
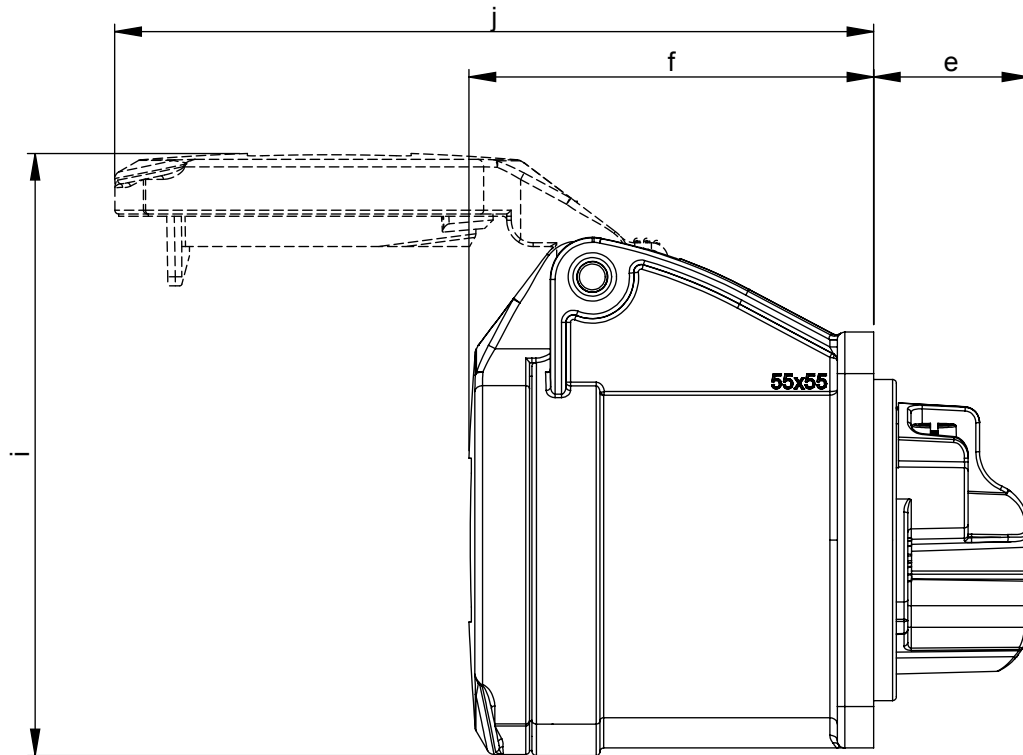
Maßskizze / dimensional drawing

Benennung: Anbausteckdose gerade IP44/54 55x55

description: Flanged socket straight IP44/54 55x55

Teilenummer / part number: 313-*f5

PCE



Ampere	16		
Pole	3	4	5
a x b [mm]	55	-	-
c x d [mm]	44	-	-
e [mm]	21	-	-
f [mm]	55	-	-
g [mm]	5,5	-	-
h [mm]	43	-	-
i [mm]	80	-	-
j [mm]	101	-	-