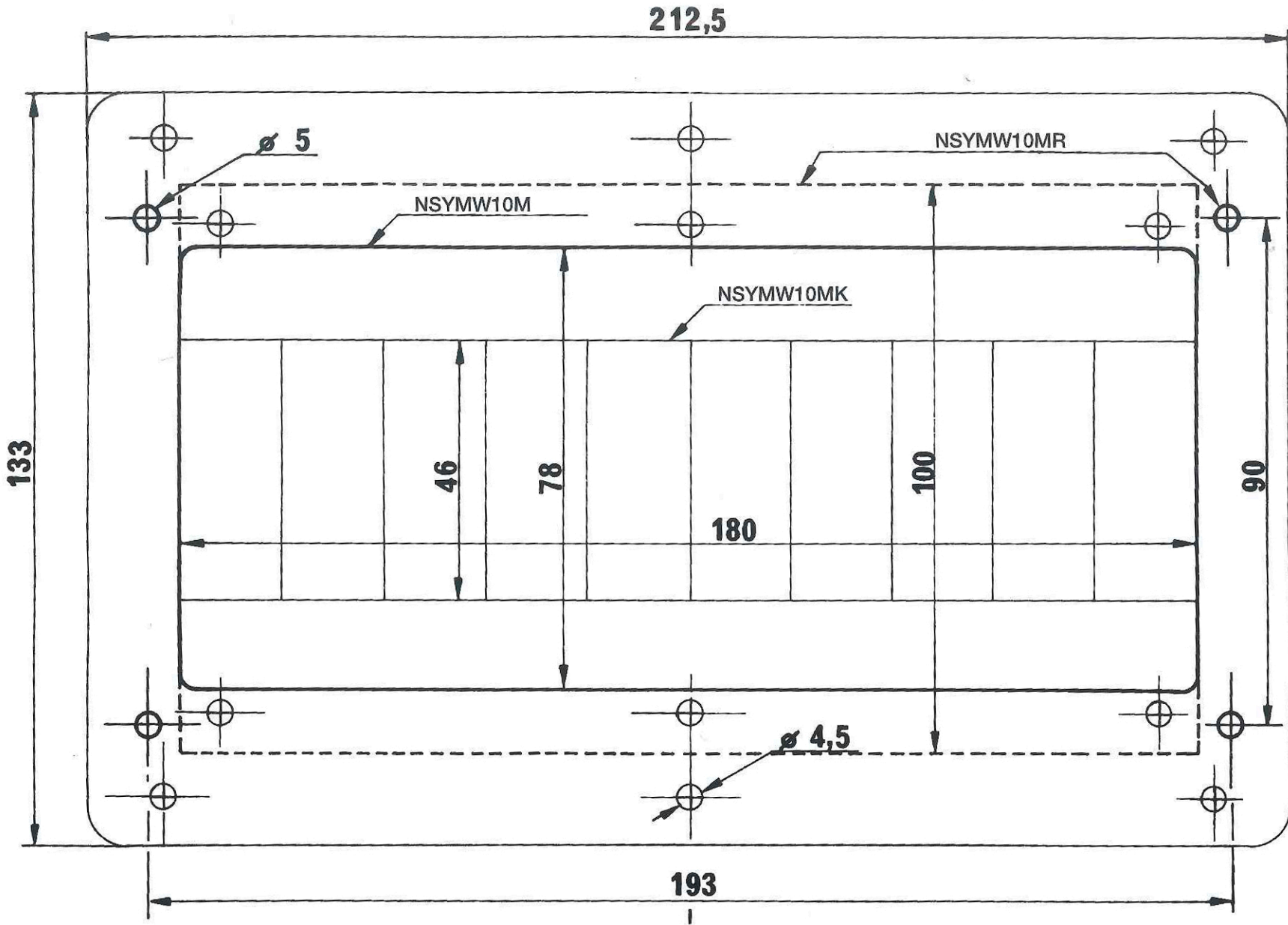
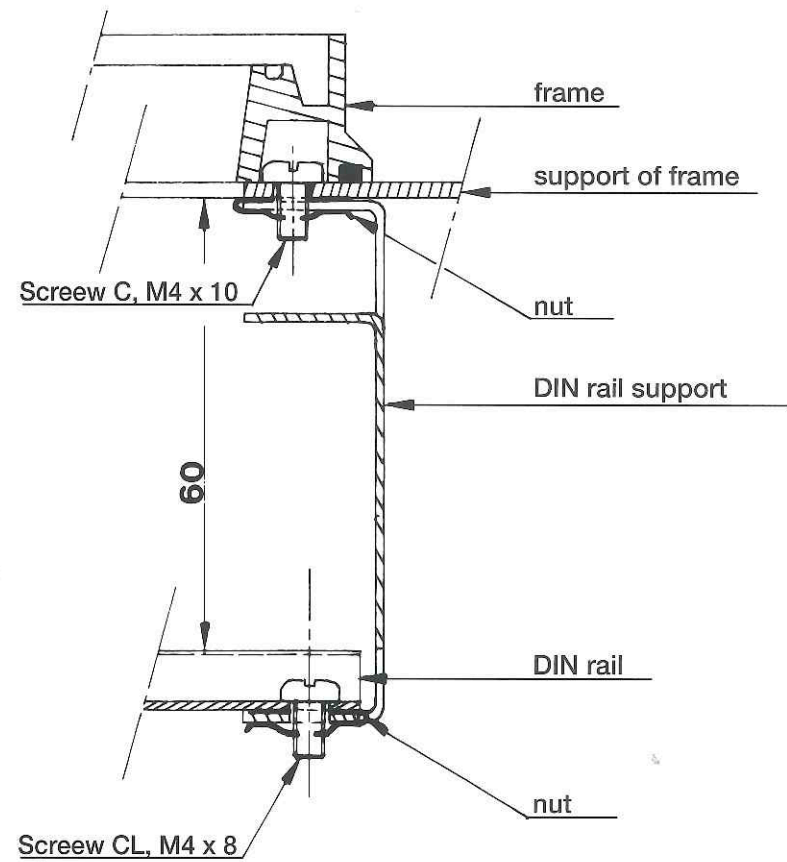
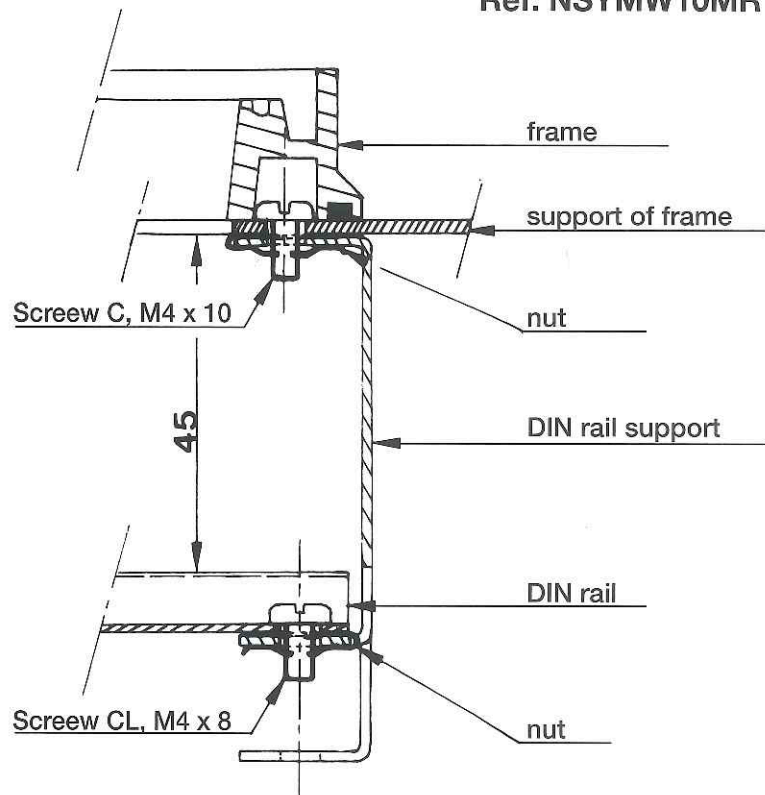


DRILLING TEMPLATE FOR FRAME REF. NSYMW10M/ NSYMW10MK



00700491 TB

ASSEMBLY OF KIT FOR FIXING THE SWITCHGEAR
Ref. NSYMW10MR



00700490 TB