


22260100	<b>DATA SHEET</b>	
Valid from: 10.12.2019	<b>AB-C3-M8MS-0,5</b>	

## Product description

Sensor/actuator flush-type plug, M8, 3-pos., front/screw mounting, with M8 thread, with 0.5 m PVC braid strand, 3 x 0.25 mm<sup>2</sup>



## General properties, flush-type connector

Ambient temperature	-25 to +85 °C
Protection degree	IP67
Number of contacts	3
Coding	A
Termination type	single wires
Conductor cross section, AWG	24
Conductor cross section, mm <sup>2</sup>	0.25

## General properties, cable

Insulation, material	PVC
Cable type	PVC braid strand
Conductor, material	tinned copper
Cores, outer diameter	1.5 mm
Permissible temperature range, fixed installation	-40 to 105 °C

## Electrical properties

Rated voltage	60 V
Insulation resistance	≥ 100 MΩ
Rated current @ +40°C	4 A
Overvoltage category	II
Pollution degree	3


## Materials, M8 flush-type connector

Contact carrier	PA
Contact carrier, inflammability class acc. UL 94	HB
Contacts, base material	Cu-alloy
Contacts, surface	Au
Knurl	Brass, Ni plated
Grip body	PA
Sealing	FKM

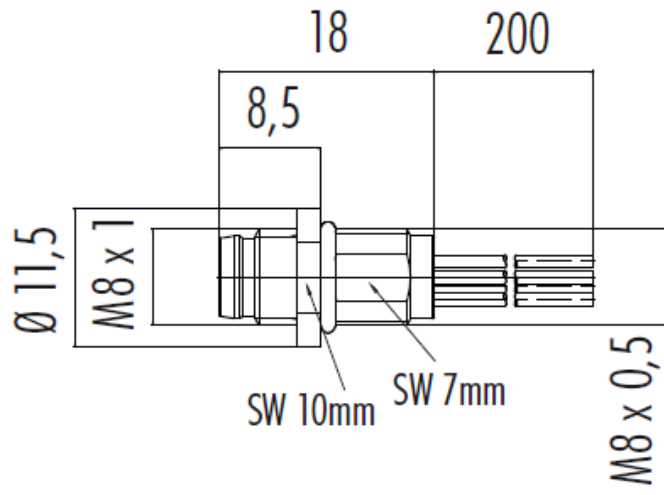
## Standards

Product standard	M8-Connector acc. to IEC 61076-2-104
------------------	--------------------------------------

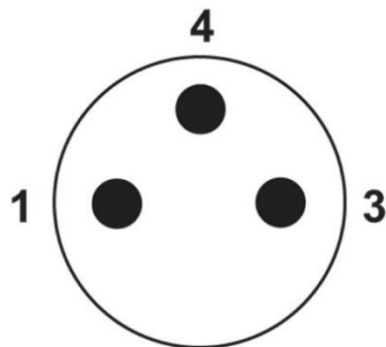
Creator: MANA2/PDP Released: IVSE1/PDP	Document: DB22260100EN Version: 06	Page 1 of 2
---	---------------------------------------	-------------

22260100	<b>DATA SHEET</b>	
Valid from: 10.12.2019	AB-C3-M8MS-0,5	

### Drawings



### Pin assignment



Pin	Strand-Color
1	Brown
3	Blue
4	Black

### Application range

Connection of enclosures and cabinets

### Note

Photographs are not true to scale and do not represent detailed images of the respective products.

Creator: MANA2/PDP Released: IVSE1/PDP	Document: DB22260100EN Version: 06	Page 2 of 2
---	---------------------------------------	-------------