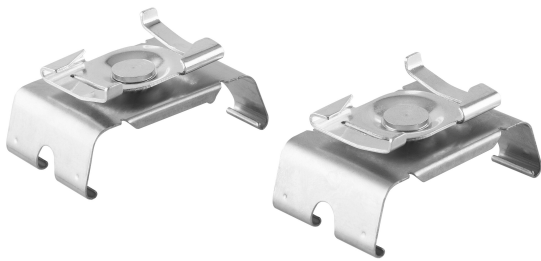


PRODUCT DATASHEET

TRUSYS FLEX GRID CEILING CLIP

TruSys® FLEX GRID CEILING CLIP | Grid ceiling mounting clip for mounting rail



Product features

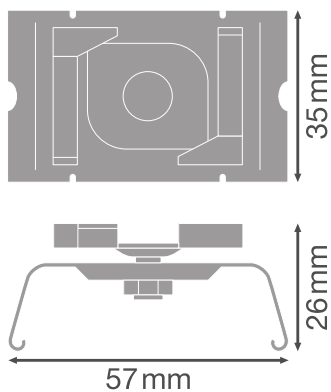
- Mounting clip for surface mounting on grid ceilings



TECHNICAL DATA

Dimensions & Weight

| | |
|----------------|---------|
| Length | 57.0 mm |
| Width | 35.0 mm |
| Height | 26.0 mm |
| Product weight | 31.6 g |



TRUSYS PFM TRUSYS FLEX GRID
CEILING CLIP




Materials & Colors


| | |
|---------------|--------|
| Product color | Silver |
| Body material | Steel |

Application & Mounting

| | |
|-------------------|---------|
| Mounting location | Ceiling |
|-------------------|---------|

DOWNLOAD DATA

| Documents and certificates | | Document name |
|--|--|------------------------------------|
|  | User instruction / safety instructions | TRUSYS FLEX P RAIL |
|  | User instruction / safety instructions | TRUSYS FLEX P RAIL |
|  | Legal information | Informationstext 18 Abs 4 ElektroG |

| Tender texts | Document name |
|---|--|
|  Tender documents | TruSys FLEX GRID CEILING CLIP GRID CEILING CLIP-EN |

LOGISTICAL DATA

| Product code | Packaging unit (Pieces/Unit) | Dimensions (length x width x height) | Gross weight | Volume |
|---------------|------------------------------|--------------------------------------|--------------|-----------------------|
| 4058075781917 | BAG 2 | 35 mm x 57 mm x 26 mm | 70.00 g | 0.05 dm ³ |
| 4058075781924 | Shipping box 400 | 440 mm x 440 mm x 180 mm | 14410.00 g | 34.85 dm ³ |

The mentioned product code describes the smallest quantity unit which can be ordered. One shipping unit can contain one or more single products. When placing an order, for the quantity please enter single or multiples of a shipping unit.

DISCLAIMER

Subject to change without notice. Errors and omission excepted. Always make sure to use the most recent release.