

Permanent Light 895 / LED Bulb LED Bulb E27 230VAC YE



Part No.: 956.320.68



MECHANICAL DATA

Height	65 mm
Diameter	45 mm
Housing colour	Silver
Weight with packaging	36 g
Product weight	28 g

ELECTRICAL DATA

Operating voltage	230V
Operating voltage type	AC
Operating voltage frequency	50Hz
Operating voltage tolerance	+/- 10%
Rated operational voltage	230 VAC
Rated operational current	20 mA
Rated inrush current	500 mA

OPTICAL DATA

Light source	LED
Light colour	Yellow
Service life optical	100,000 h maximum
Lamp fitting/socket	E27

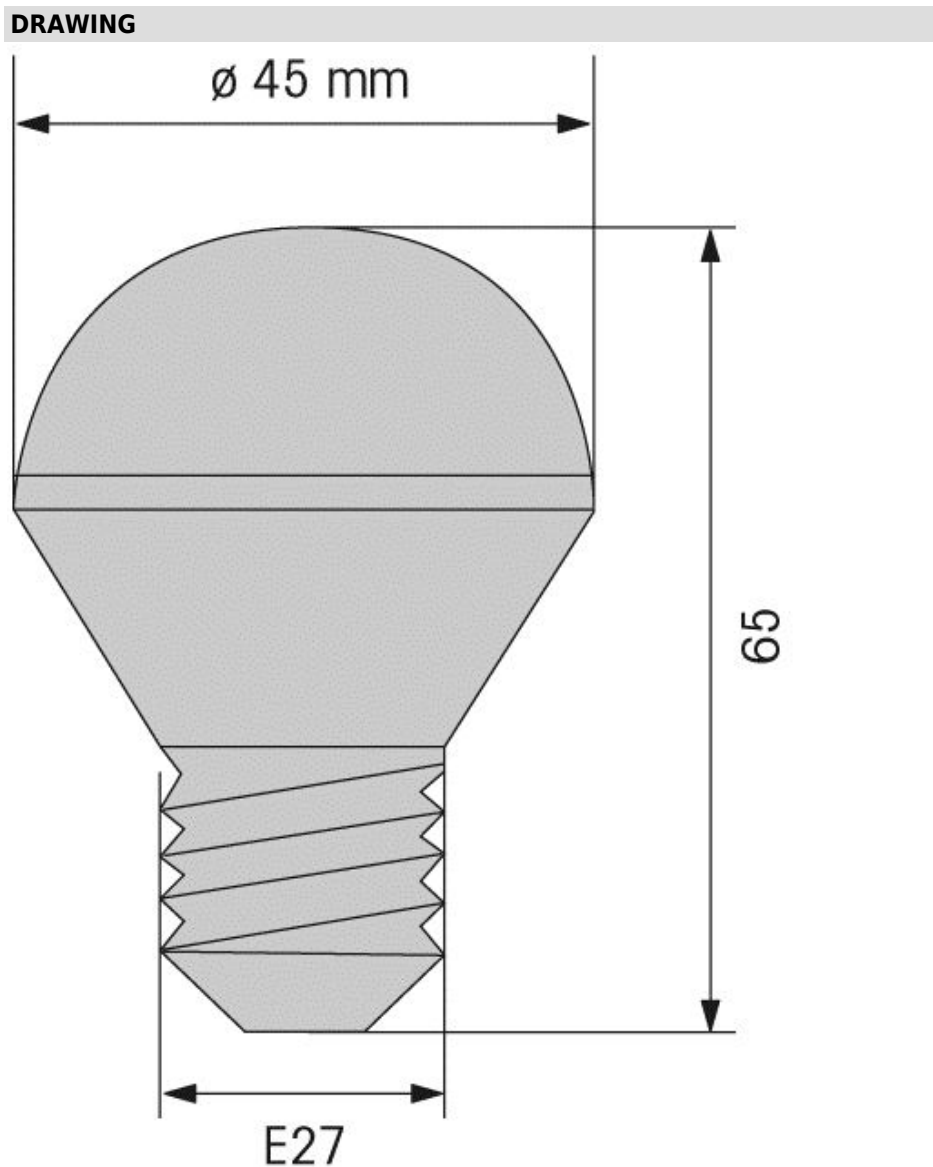
APPROVAL DATA

Conforms with CE	Yes
Conforms with RoHS directive	Yes
WEEE	No
Conforms with ATEX-directive	No
Conforms with CCC	No
Conforms with FCC	No
Conforms with IC	No
EAC certificate available	No
Conforms with AS-I	No
ICAO Certification	No
Conforms with DNV	No
Conforms with RoHS CN	No



For additional installation and mounting information, refer to the appropriate user guide at www.werma.com. This printed copy is for information only and is subject to alteration.

Permanent Light 895 / LED Bulb
LED Bulb E27 230VAC YE



For additional installation and mounting information, refer to the appropriate user guide at www.werma.com. This printed copy is for information only and is subject to alteration.