

Product Data Sheet

GW46501F

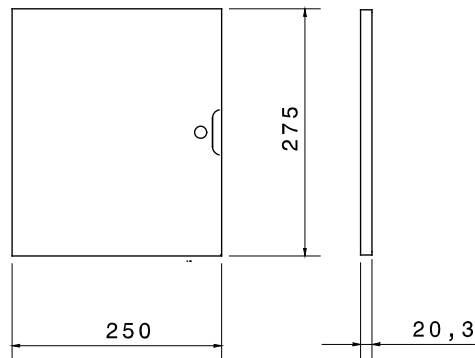
46 Range



Accessories and complementary items for distribution and automation boards range 46.

Characteristics	Halogen free	No. locks	1
For boards LxH (mm)	250x300	Suitable for	46 QP
Electrocod	0303		

DIMENSIONAL



TECHNICAL SYMBOLOGY



STANDARDS/APPROVALS

