

Product Data Sheet

GW68203N

68 ACS Range



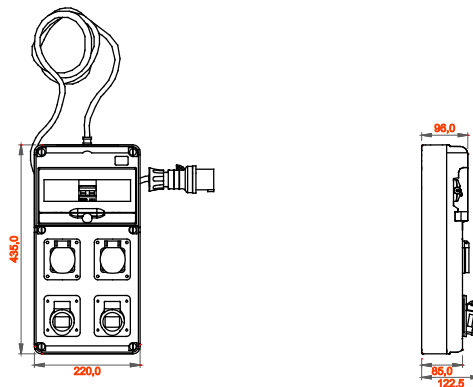
Mobile, transportable terminal boards Type 68 Q-DIN are especially suitable for powering mobile tools and equipment. The accessories - including handles, floor-mounting supports and wheeled carriages - make it extremely easy to move the boards around the site. The 68 Q-DIN ACS boards are available in various configurations with interlocked or fixed IEC 309 socket-outlets in both the protected and watertight versions. Each board comes complete with cable and relative mobile plug for powering portable devices everywhere. The boards can also be equipped with safety locks with a metallic cylinder, and can be mounted on poles or walls, or on mobile floor-mounting supports.

| | | | |
|-------------------------------|----------------------------------|----------------------------------|--------------------------|
| Type | Q-DIN 10 ACS | board type | Wired |
| Outer dim. LxHxD (mm) | 220x435x96 | Weight (kg) | 3 |
| Accordance with Standards | EN 61439-4 (ACS) | Characteristics | UV resistance (EN 62208) |
| IP degree | IP44 | Mechanical resistance | IK09 |
| Glow wire test | 650 °C | Thermo-pressure with ball | 70 °C |
| Insulation class | II | Power supply | Mobile plug |
| No. of poles | 2P+E | Power suppliable (kW) | 3 |
| Mains switch | RCBO 16A 2P 6 kA 0,03A - AC type | Circuits protection | RCBO |
| No. socket outlets | 4 | Socket-outlet 2P+E 16A - IEC 309 | 2 |
| German Std socket-outlet 16 A | 2 | Cable length | 4 m |
| Electrocod | 139 | | |

BEHAVIOUR WITH CHEMICAL AND ATMOSPHERIC AGENTS

| Saline solution | Acids | | Bases | | Solvents | | | | Mineral oil | UV rays |
|-----------------|--------------------|-----------|--------------|-----------|--------------------|---------------|---------------|--------------------|--------------------|--------------------|
| | Concentrated | Diluted | Concentrated | Diluted | Hexane | Benzol | Acetone | Alcohol | | |
| Resistant | Limited resistance | Resistant | Resistant | Resistant | Limited resistance | Not resistant | Not resistant | Limited resistance | Limited resistance | Limited resistance |

DIMENSIONAL



TECHNICAL SYMBOLOGY



EN 61439-4 (ACS)



UV resistance (EN 62208)

IP

IP44

IK

IK09

GWT

650 °C



70 °C



II

STANDARDS/APPROVALS



GEWISS S.p.A. Via A. Volta, 1
24069 Cenate Sotto - Bergamo - Italy
tel. +39 035 94 61 11 fax +39 035 94 69 09

www.gewiss.com
sat@gewiss.com
Last update 20/04/2023

Data, measures, designs and pictures are shown only as informative purposes, and could be changed without previous notice