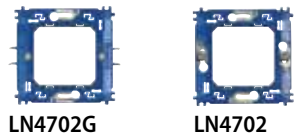
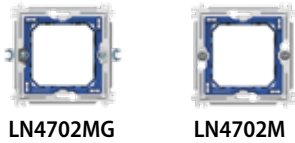


Livinglight  
Supporting frames

Item: refer to the table

**2 MODULE AREA**



**3 MODULE AREA**



\* (Installs with only cover plate art. LNA4819 ...)



**Use**

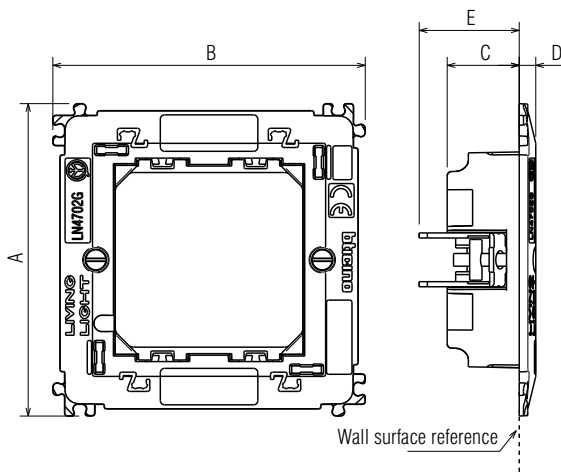
Supporting frames for mounting Livinglight mechanisms.

**Range**

Item	Frame modules
L4702 - L4702G	2
LN4702 - LN4702G	
LN4702M - LN4702MG	
LN4719	2
LN4703	3
LN4704	4
LN4707	7
LN4726	3+3

**Overall dimensions (mm)**

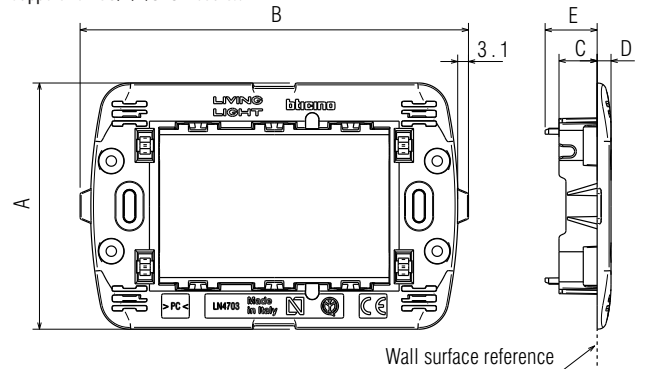
Support frame 2 modules.



	A	B	C	D	E
<b>L4702</b>	75	75	11	5.7	
<b>L4702G</b>	75	75	11	5.7	22
<b>LN4702</b>	73.7	73.7	11	3.9	
<b>LN4702G</b>	73.7	73.7	17	3.9	23.6
<b>LN4702M</b>	73.7	73.7	11	3.9	
<b>LN4702MG</b>	73.7	73.7	11	3.9	20.3

**Overall dimensions (mm) (continued)**

Support frame 3/4/7/3+3 modules.



	A	B	C	D	E
<b>LN4703</b>	71	112	11	4	15
<b>LN4719</b>	71	115	11	4	15
<b>LN4704</b>	71	134	11	4	13.4
<b>LN4707</b>	71	200	11	4	13.4
<b>LN4726</b>	117	112	11	4	13.5

**Mounting**

The supporting frames are screwed to flush mounting boxes.

**Technical characteristics**

**- Mechanical characteristics**

Impact test: IK 04

**- Material characteristics**

LN4702M - LN4702MG: stainless steel and polycarbonate

- All the other supports polycarbonate

Halogen free.

UV resistant.

Self-extinguishing: 650° C / 30 s

**- Climatic characteristics**

Storage temperature: - 10° C to + 70° C

Use temperature: - 5° C to + 35° C

**Cleaning**

Clean the surface with a cloth.

Do not use acetone, tar-removing cleaning agents or trichloroethylene.

Caution: Always test before using special cleaning products.

**Standards and approvals**

Compliance with standards IEC/EN 60669-1

Refer to e.catalogue.