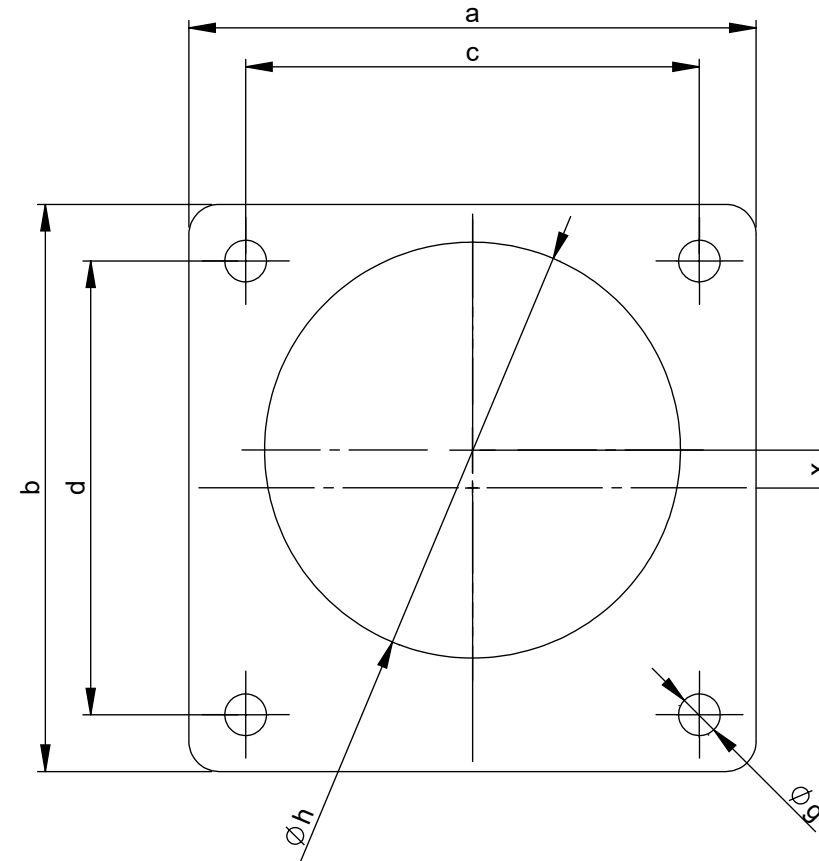
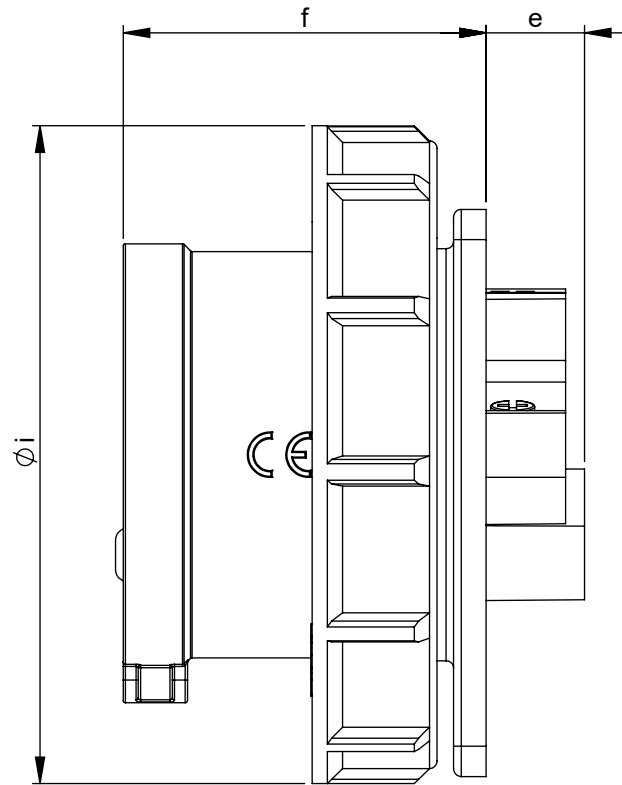


Maßskizze / dimensional drawing

Benennung: Anbaugerätestecker gerade IP67 75x75 UL

description: Flanged plug straight IP67 75x75 UL

Teilenummer / part number: 61392-*, 61492-*, 61592-*, 62392-*, 62492-*, 62592-*



Ampere	20			30		
Poles	2P3W (3p)	3P4W (4p)	4P5W (5p)	2P3W (3p)	3P4W (4p)	4P5W (5p)
a x b [mm] / [inch]	75 / 2.95					
c x d [mm] / [inch]	60 / 2.36					
e [mm] / [inch]	15 / 0.59	14 / 0.55	13 / 0.51	14 / 0.55	15 / 0.59	14 / 0.55
f [mm] / [inch]	48 / 1.89	48 / 1.89	48 / 1.89	58 / 2.28	58 / 2.28	58 / 2.28
g [mm] / [inch]	5.5 / 0.22					
h [mm] / [inch]	43 / 1.69	44 / 1.73	55 / 2.17	55 / 2.17	55 / 2.17	55 / 2.17
i [mm] / [inch]	71 / 2.80	79 / 3.11	87 / 3.43	93 / 3.66	93 / 3.66	100 / 3.94
x [mm] / [inch]	11.3 / 0.44	6 / 0.24	5 / 0.20	4.5 / 0.18	4.5 / 0.18	0