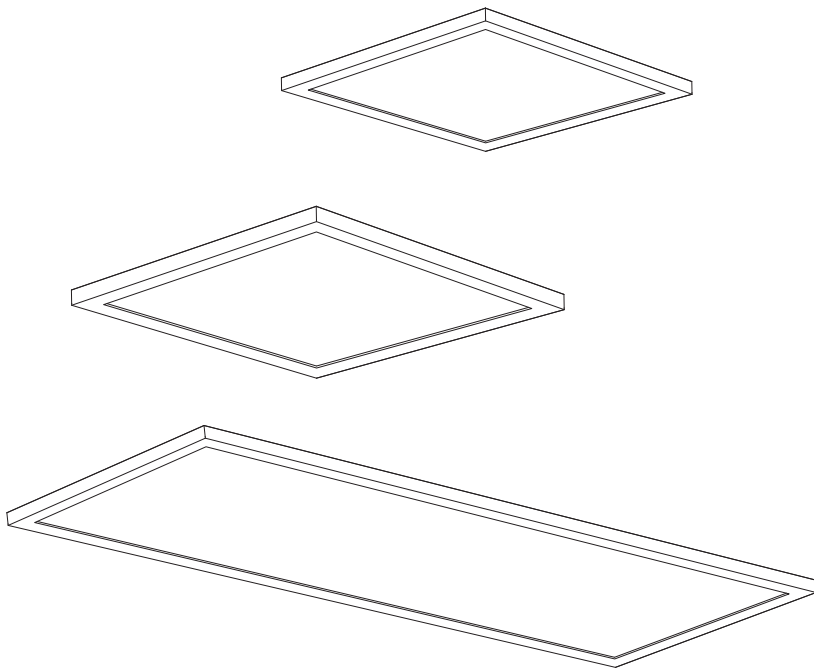

SMART⁺ PLANON PLUS



	EAN	W	Im output	Im module	K	ΔT (°C)	V~	mA	Hz	DF
SMART WIFIPLANPLUSBL 45X45REMRGBTWWT	4058075650152	28	2000	2900	3000-6500	-20...+40	220-240	150	50/60	>0.9
SMART WIFIPLANPLUSBL 60X60REMRGBTWWT	4058075650190	40	3000	3950	3000-6500	-20...+40	220-240	200	50/60	>0.9
SMARTWIFIPLANPLUSBL 100X25REMRGBTWWT	4058075650213	30	1900	3050	3000-6500	-20...+40	220-240	150	50/60	>0.9
SMART WIFIPLANPLUSBL 45X45REMRGBTWBK	4058075650251	28	1800	2900	3000-6500	-20...+40	220-240	150	50/60	>0.9
SMART WIFIPLANPLUSBL 60X60REMRGBTWBK	4058075650275	40	2700	3950	3000-6500	-20...+40	220-240	200	50/60	>0.9
SMARTWIFIPLANPLUSBL 100X25REMRGBTWBK	4058075650299	30	1700	3050	3000-6500	-20...+40	220-240	150	50/60	>0.9

1x

2070 g
4058075650152
4058075650251

2x 2x

1x

3620 g
4058075650190
4058075650275

2500 g
4058075650213
4058075650299

4x 4x

mm

	L	W	H
450X450 4058075650152 4058075650251	450	450	56
600X600 4058075650190 4058075650275	595	595	56
1000X250 4058075650213 4058075650299	1000	250	56

1

ON OFF ON OFF ON OFF ON OFF ON OFF

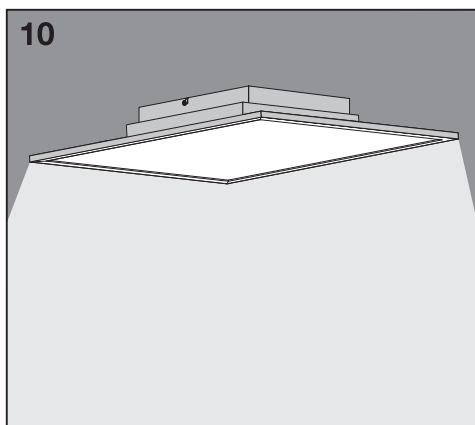
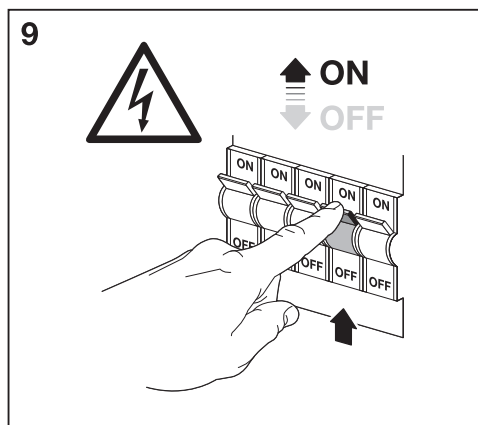
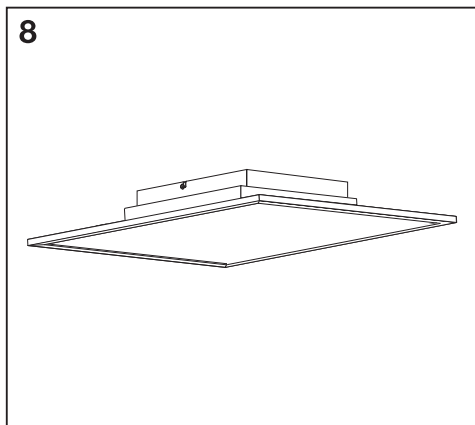
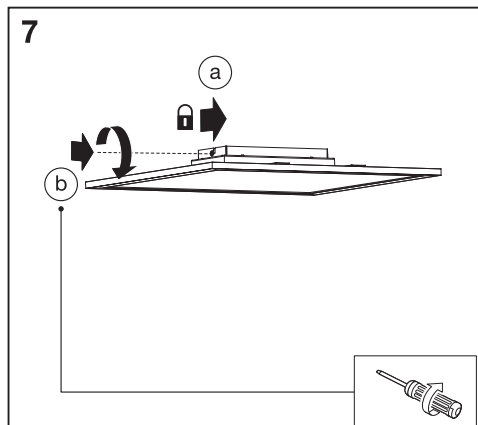
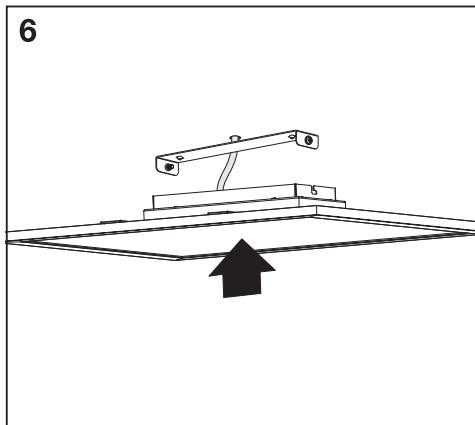
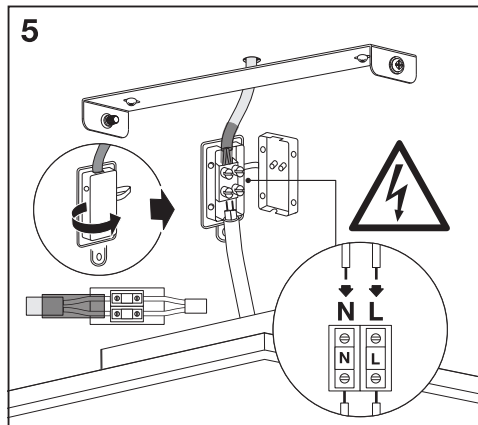
↑ ON
↓ OFF







2

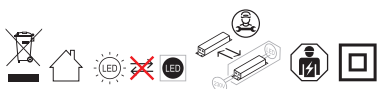
a b c

3

4



	EAN	This product contains a light source of energy efficiency class	Contained Light Source
SMART WIFIPLANPLUSBL 45X45REMRGBTWWT	4058075650152	E	
SMART WIFIPLANPLUSBL 60X60REMRGBTWWT	4058075650190	E	
SMARTWIFIPLANPLUSBL 100X25REMRGBTWWT	4058075650213	E	
SMART WIFIPLANPLUSBL 45X45REMRGBTWBK	4058075650251	E	
SMART WIFIPLANPLUSBL 60X60REMRGBTWBK	4058075650275	E	
SMARTWIFIPLANPLUSBL 100X25REMRGBTWBK	4058075650299	E	



C10449057
G11120678
03.09.2021



LEDVANCE GmbH
Steinerne Furt 62
86167 Augsburg, Germany
www.ledvance.com