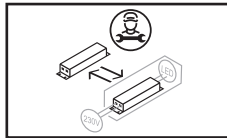
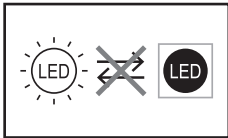
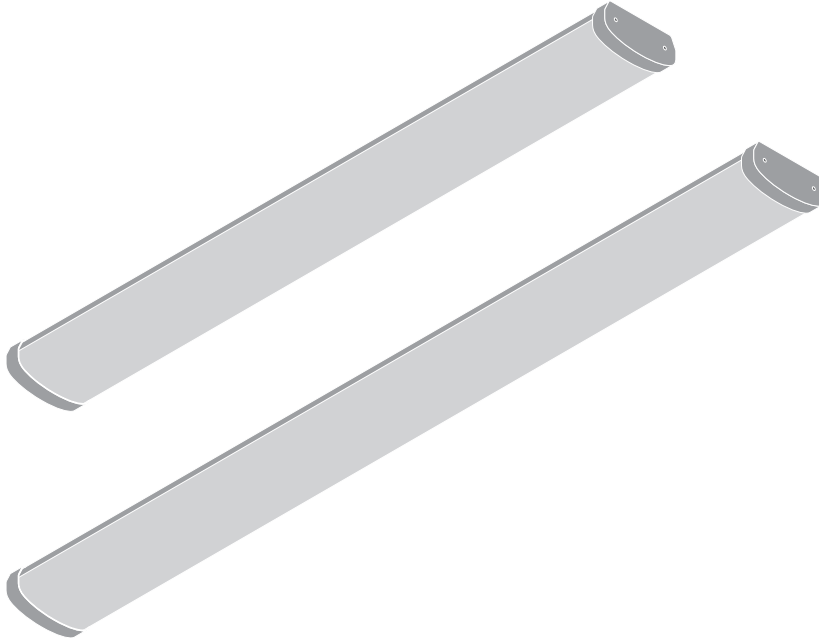




LINEAR SURFACE

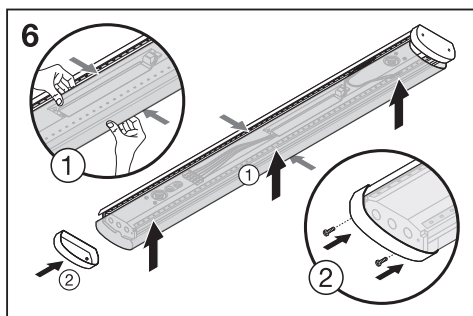
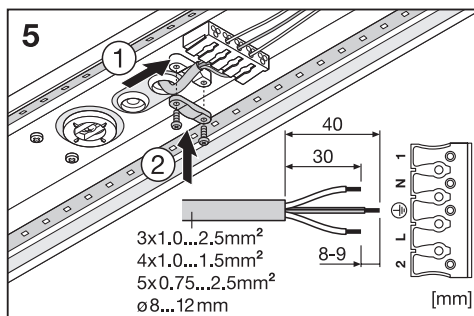
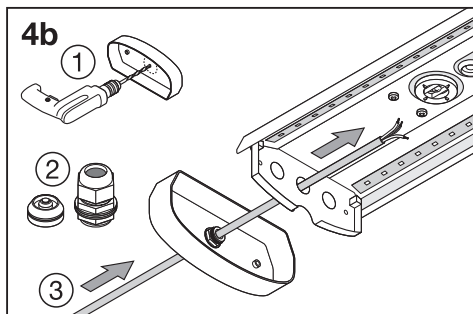
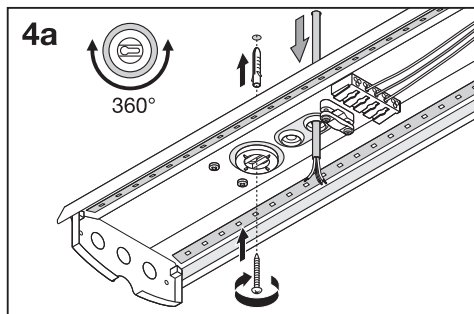
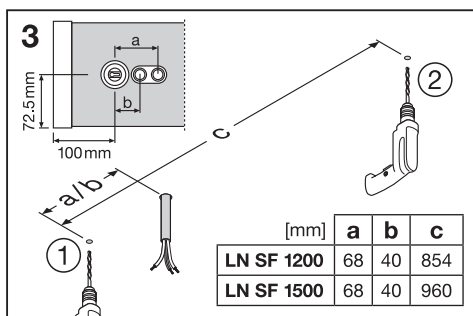
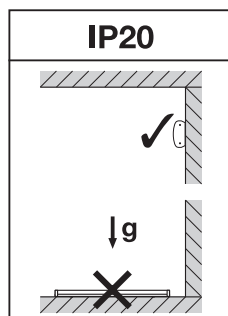
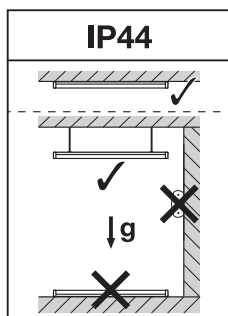
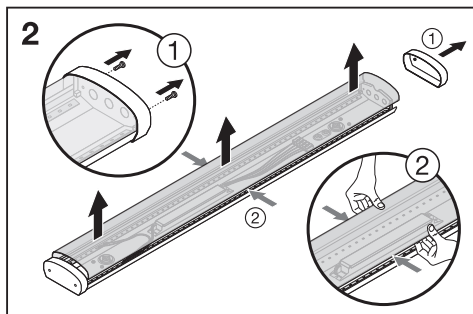
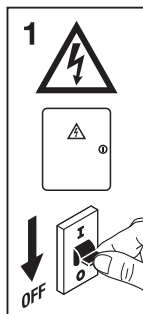
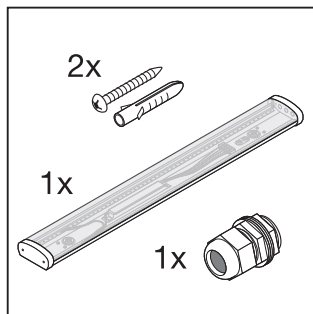


	EAN	l x w x h [mm]	W	V _{AC}	Hz	lm	lm/W	K
LN SF 1200 36W/3000K WT IP44	4058075352872	1199 x 145 x 64.5	36	220-240V	50/60Hz	4000	110	3000
LN SF 1200 36W/4000K WT IP44	4058075352896	1199 x 145 x 64.5	36	220-240V	50/60Hz	4000	110	4000
LN SF 1500 43W/3000K WT IP44	4058075352919	1499 x 145 x 64.5	43	220-240V	50/60Hz	5000	115	3000
LN SF 1500 43W/4000K WT IP44	4058075352933	1499 x 145 x 64.5	43	220-240V	50/60Hz	5000	115	4000

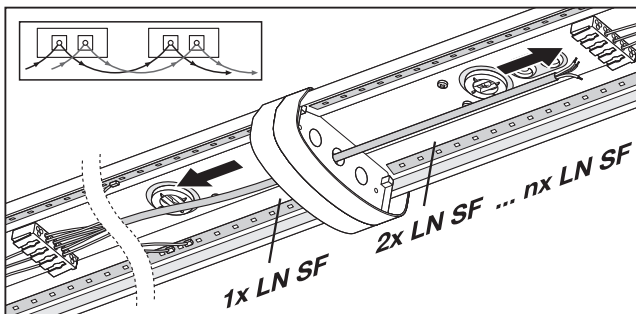
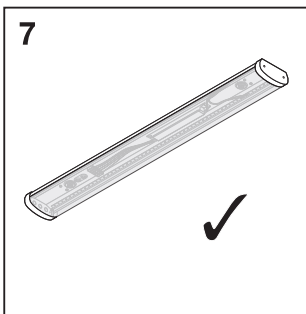
	EAN	IP	IK	∠	R _a	∅ (°C)	PF	⊿
LN SF 1200 36W/3000K WT IP44	4058075352872	44	08	120°	≥ 80	-20...+40	≥ 0.9	2.3 kg
LN SF 1200 36W/4000K WT IP44	4058075352896	44	08	120°	≥ 80	-20...+40	≥ 0.9	2.3 kg
LN SF 1500 43W/3000K WT IP44	4058075352919	44	08	120°	≥ 80	-20...+40	≥ 0.9	2.7 kg
LN SF 1500 43W/4000K WT IP44	4058075352933	44	08	120°	≥ 80	-20...+40	≥ 0.9	2.7 kg



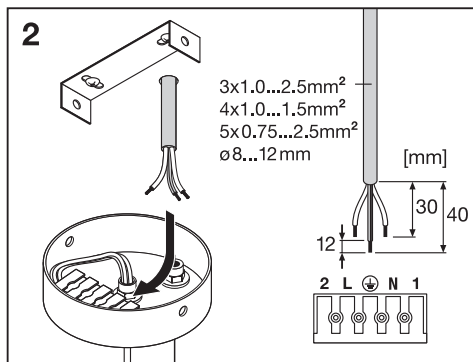
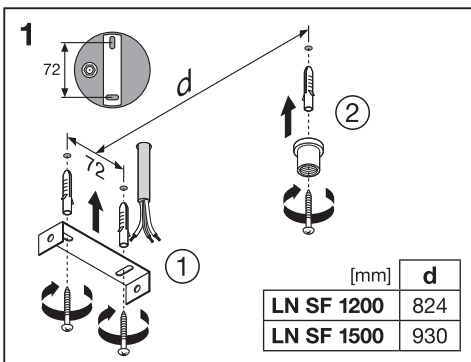
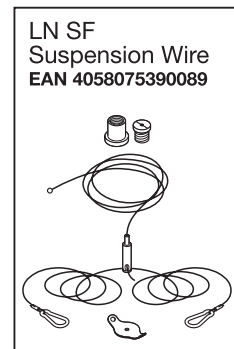
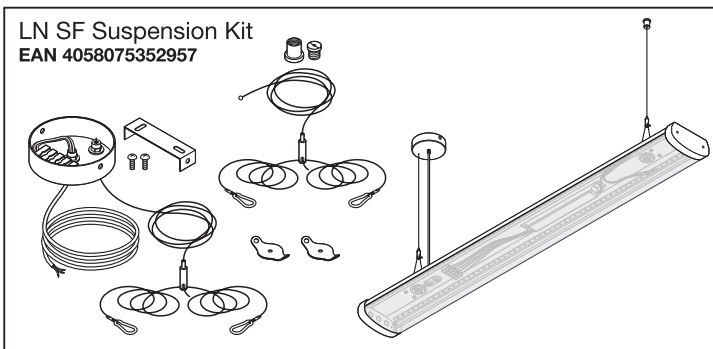
LINEAR SURFACE

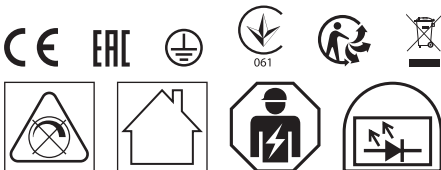
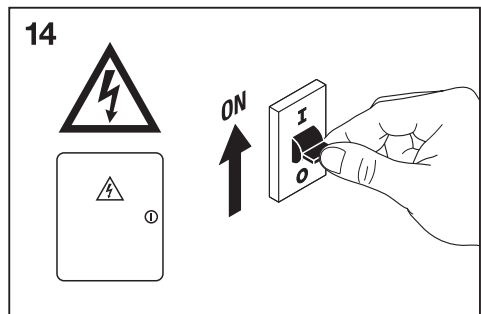
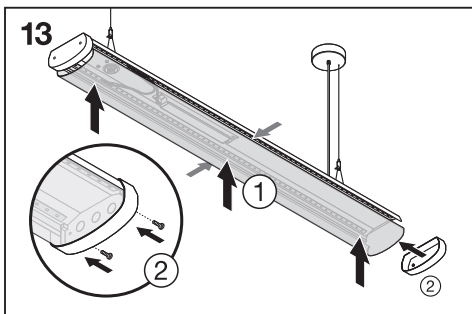
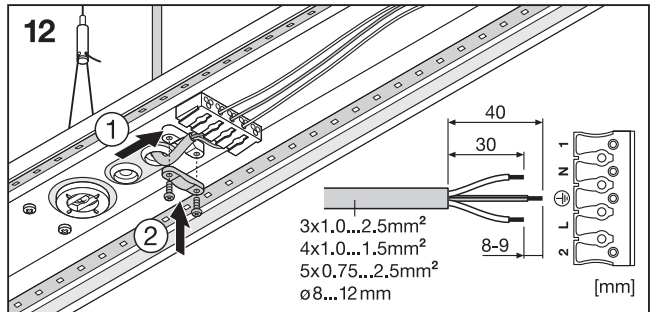
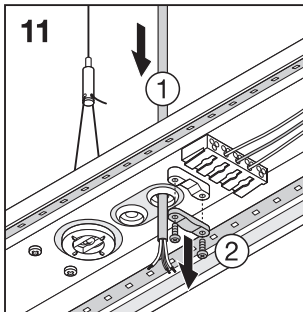
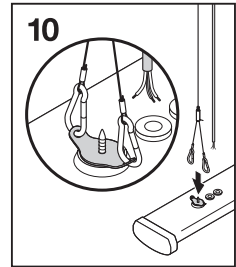
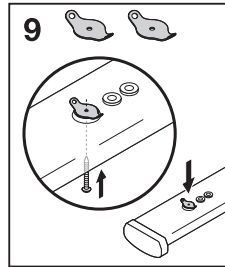
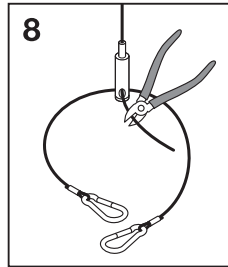
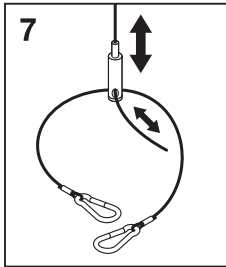
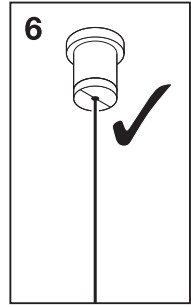
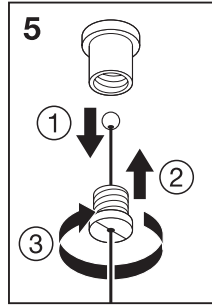
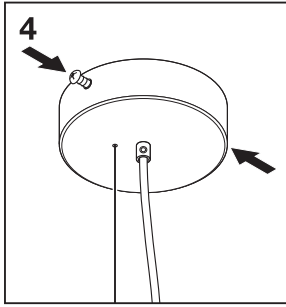
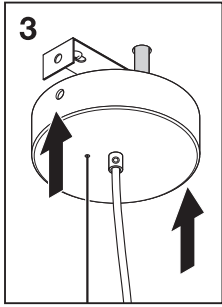


LINEAR SURFACE



n	B16	C10	C16
LN SF 1200	21	18	30
LN SF 1500	21	18	30





C10449057
G11094314V3
22.04.21



LEDVANCE GmbH
Steinerne Furt 62
86167 Augsburg, Germany
www.ledvance.com

