


44423233	<b>DATA SHEET</b>	
Valid from: 17.09.2018	<b>EPIC® MH 0 Z</b>	

## Description

- Dummy module as a placeholder for future expansion
- EPIC® MH system is pluggable with the market standards
- “Z” version with centering function for plug in technique
- The mix of different functions in one plug guarantees high flexibility



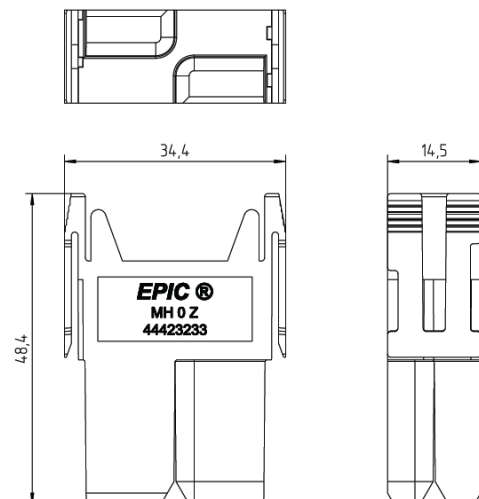
## General characteristics

Number of contacts	0
Material	Polyamide, glass fibre-reinforced
Inflammability class acc. with UL 94	V0
Temperature range	-40° C to +125° C
Suitable frame	Epic® MH 6 multi-frame Epic® MH 10 multi-frame Epic® MH 16 multi-frame Epic® MH 24 multi-frame

## Standards/Approvals

Fire protection on railway vehicles	according EN 45545-2 requirement sets R22 and R23 hazard level HL1, HL2 and HL3
-------------------------------------	---

## Drawings



## Note

Photographs are not to scale and do not represent detailed images of the respective products.

Creator: MANA2/PDP Released: IVSE1/PDP	Document: DB44423233EN Version: 01	Page 1 of 1
---	---------------------------------------	-------------