



MASTER LEDspot ExpertColor LV



MAS LED ExpertColor 6.7-35W MR16 927 24D

MASTER LEDspot LV ExpertColor creates a warm and comfortable ambience for hospitality venues, homes and restaurants. It creates such an ambience with superior lighting that has a customized spectrum, high CRI, and deep dimming feature. The result? A beautiful lighting experience. What's more, the innovative, trimless lens design will suit almost any interior decor with its clean and neat look. In addition, you can take advantage of the full ExpertColor family, which also includes LEDspot MV and LEDspot Par lamps.

Product data

General Information	
Cap-Base	GU5.3
Nominal lifetime	40,000 hour(s)
Switching Cycle	50,000
Lighting Technology	LED
Flux measurement reference	Narrow Cone
Light Technical	
Color Code	927 [CCT of 2700K]
Beam Angle (Nom)	24 degree(s)
Luminous Flux	420 lm
Luminous Intensity (Nom)	2,100 cd
Color Designation	Warm White (WW)
Correlated Color Temperature (Nom)	2700 K
Luminous Efficacy (rated) (Nom)	62.00 lm/W
Color Consistency	<3
Color rendering index (CRI)	97
LLMF At End Of Nominal Lifetime (Nom)	70 %

Luminous Flux in 90° Cone (Rated)	420 lm
Photobiological safety according to EN 62471	RG1
Operating and Electrical	
Line Frequency	- Hz
Input Frequency	- Hz
Power Consumption	6.7 W
Lamp Current (Nom)	650 mA
Wattage Equivalent	35 W
Starting Time (Nom)	0.5 s
Warm-up time to 60% light	0.5 s
Power Factor (Fraction)	0.7
Voltage (Nom)	ac electronic 12 V
Temperature	
T-Case Maximum (Nom)	92 °C

MASTER LEDspot ExpertColor LV

Controls and Dimming

Dimmable	Only with specific dimmers
----------	----------------------------

Mechanical and Housing

Bulb Shape	MR16
Net Weight (Piece)	0.052 kg

Approval and Application

Energy Efficiency Class	G
Suitable For Accent Lighting	Yes
Energy Consumption kWh/1000 h	7 kWh
EPREL Registration Number	624217
CE mark	Yes
EU RoHS compliant	Yes
EyeComfort	Yes

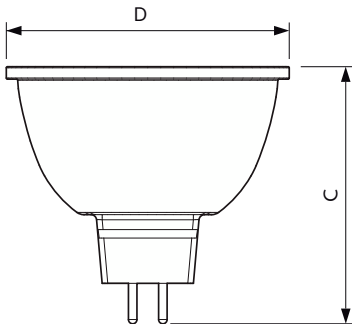
Application Conditions

can it be used in closed luminaires	No
-------------------------------------	----

Product Data

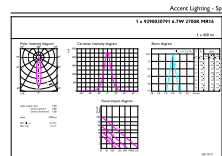
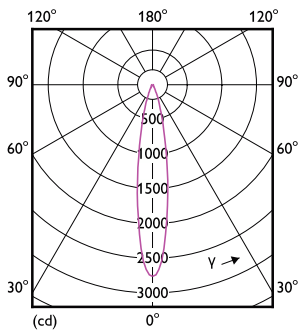
Order product name	MAS LED ExpertColor 6.7-35W MR16 927 24D
Full product name	MAS LED ExpertColor 6.7-35W MR16 927 24D
Full product code	871951435853900
Order code	929003079102
Material Nr. (12NC)	929003079102
Numerator - Quantity Per Pack	1
EAN/UPC - Product/Case	8719514358539
Numerator - Packs per outer box	10
EAN/UPC - Case	8719514358546

Dimensional drawing



Product	D	C
MAS LED ExpertColor 6.7-35W MR16 927 24D	50.5 mm	46 mm

Photometric data

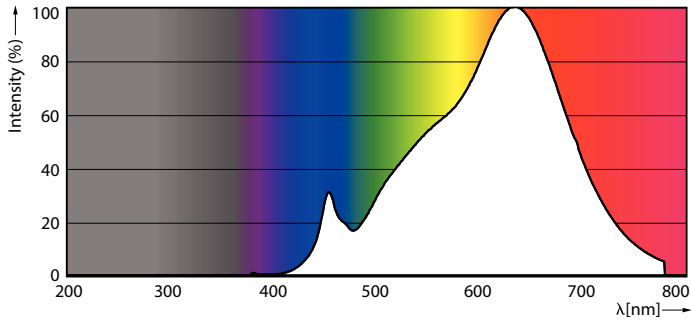


Light Distribution Diagram - MAS LED ExpertColor 6.7-35W MR16 927 24D

Accent Lighting Spots - MAS LED ExpertColor 6.7-35W MR16 927 24D

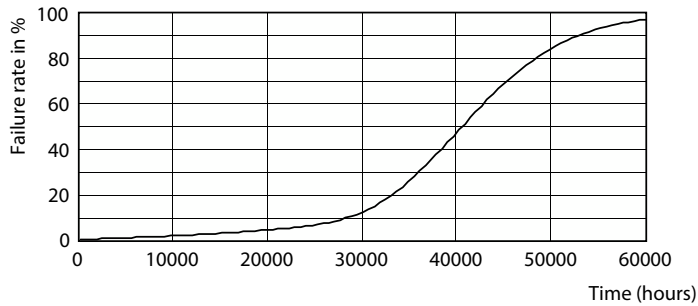
MASTER LEDspot ExpertColor LV

Photometric data

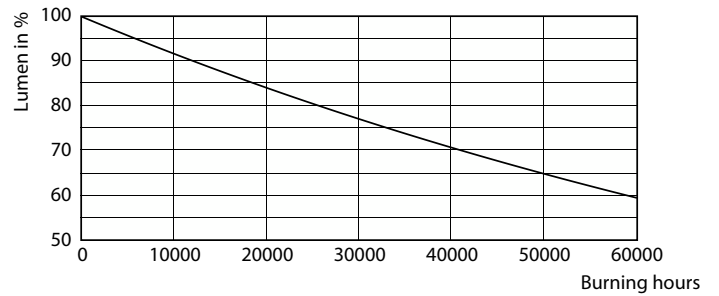


Spectral Power Distribution Colour - MAS LED ExpertColor 6.7-35W MR16 927 24D

Lifetime



Life Expectancy Diagram



Lumen Maintenance Diagram - MAS LED ExpertColor 6.7-35W MR16 927 24D

