

29420199	DATA SHEET
Valid from: 04.06.2018	GOF Adapter ST(BFOC) Multimode /4PC

Description

- GOF Optical fiber adapter ST-Simplex
- Singlemode- and multimode-type



General characteristics

Type of coupling	ST-Simplex (BFOC)
Flange	Yes
Attenuation	< 0.2 dB
Temperature range	-40 °C to +85 °C (-40 °F to 185 °F) (Operation)

Variation

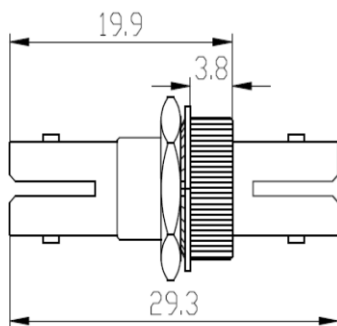
Article	Description	For fiber-type
29420199	GOF Adapter ST(BFOC) Multimode /4PC	Multimode (MM)
29420999	GOF Adapter ST(BFOC) Singlemode /4PC	Singlemode (SM)

Mechanical properties

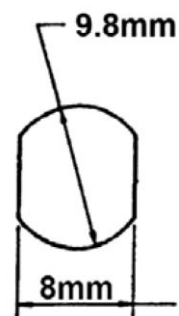
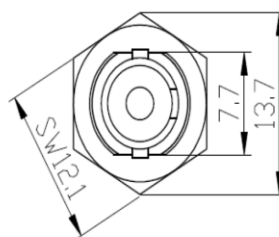
Flame retardant acc. to UL 94	V-0
Housing, material	C3604
Guide sleeve, material	Zirconia
Mating cycles (min.)	1000

Technical drawing

Dimensional drawing



Coupling



Mounting cutout

Standard

Fibre optic connector interfaces – Part 2: Type BFOC/2,5 IEC 61754-2

Application range

Office, Data centers, Industry

Note

Photographs are not true to scale and do not represent detailed images of the respective products.