

# Product Data Sheet

## GW68411N

68 ACS Range



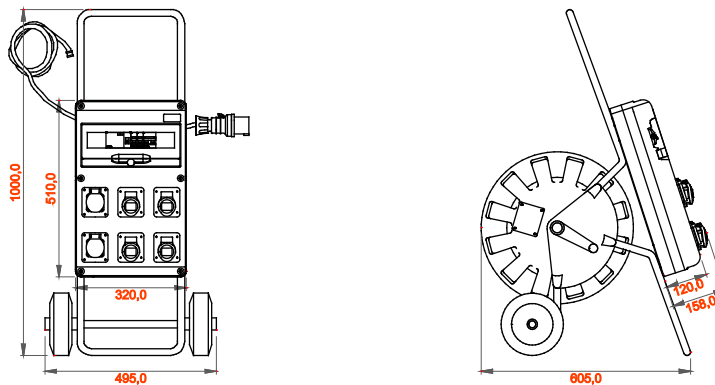
Mobile, transportable terminal boards Type 68 Q-DIN are especially suitable for powering mobile tools and equipment. The accessories - including handles, floor-mounting supports and wheeled carriages - make it extremely easy to move the boards around the site. The 68 Q-DIN ACS boards are available in various configurations with interlocked or fixed IEC 309 socket-outlets in both the protected and watertight versions. Each board comes complete with cable and relative mobile plug for powering portable devices everywhere. The boards can also be equipped with safety locks with a metallic cylinder, and can be mounted on poles or walls, or on mobile floor-mounting supports.

Type	Q-DIN 14 ACS	board type	Wired
Outer dim. LxHxD (mm)	320x510x120	Weight (kg)	22
Accordance with Standards	EN 61439-4 (ACS)	Characteristics	UV resistance (EN 62208)
IP degree	IP44	Mechanical resistance	IK09
Glow wire test	650 °C	Thermo-pressure with ball	70 °C
Insulation class	II	Power supply	Mobile plug
No. of poles	3P+N+E	Power suppliable (kW)	17
Mains switch	RCBO 32A 4P 6 kA 0,03A - AC type	Circuits protection	MCB
No. socket outlets	6	Socket-outlet 2P+E 16A - IEC 309	2
Socket-outlet 3P+E 16A - IEC 309	2	German Std socket-outlet 16 A	2
Cable length	25 m	Accessories supplied	Carriage with two wheels and rotary drum
Electrocod	139		

### BEHAVIOUR WITH CHEMICAL AND ATMOSPHERIC AGENTS

Saline solution	Acids		Bases		Solvents				Mineral oil	UV rays
	Concentrated	Diluted	Concentrated	Diluted	Hexane	Benzol	Acetone	Alcohol		
Resistant	Limited resistance	Resistant	Resistant	Resistant	Limited resistance	Not resistant	Not resistant	Limited resistance	Limited resistance	Limited resistance

### DIMENSIONAL



### TECHNICAL SYMBOLOGY



EN 61439-4 (ACS)



UV resistance (EN 62208)

IP

IP44

IK

IK09

GWT

650 °C



70 °C



II

### STANDARDS/APPROVALS



GEWISS S.p.A. Via A. Volta, 1  
24069 Cenate Sotto - Bergamo - Italy  
tel. +39 035 94 61 11 fax +39 035 94 69 09

www.gewiss.com  
sat@gewiss.com  
Last update 20/04/2023

Data, measures, designs and pictures are shown only as informative purposes, and could be changed without previous notice