

## Mini free-standing Beacons / Permanent Light 200 Permanent Beacon BM 12-230VAC/DC BU



Part No.: 200.500.00



### MECHANICAL DATA

|                              |                             |
|------------------------------|-----------------------------|
| Height                       | 66 mm                       |
| Diameter                     | 57 mm                       |
| Materials                    | PA-GF<br>PC                 |
| Dome colour                  | Blue                        |
| Housing colour               | Black                       |
| Protection category          | IP65                        |
| Connection                   | Spring-type terminal        |
| cross-sectional area maximum | 2,50mm <sup>2</sup> / 14AWG |
| Cable entry                  | Through hole                |
| Cable entry maximum          | d = 10 mm                   |
| Type of fixing               | Base mounting               |
| Working temperature minimum  | -20°C                       |
| Working temperature maximum  | +50°C                       |
| Weight with packaging        | 69 g                        |
| Product weight               | 47 g                        |

### ELECTRICAL DATA

|                        |                          |
|------------------------|--------------------------|
| Operating voltage      | 12-230V                  |
| Operating voltage type | AC/DC                    |
| Protection class       | Protection class 2       |
| Pollution degree       | 3                        |
| Overvoltage category   | II                       |
| Isolation voltage      | Ui = 250V; Uimp = 2.500V |

### OPTICAL DATA

|                      |                 |
|----------------------|-----------------|
| Light colour         | Blue            |
| Optical signal image | Permanent       |
| Service life optical | depends on bulb |
| Lamp fitting/socket  | B15d            |

### APPROVAL DATA

|                              |         |
|------------------------------|---------|
| Conforms with CE             | Yes     |
| Conforms with RoHS directive | Yes     |
| WEEE                         | Yes     |
| Conforms with ATEX-directive | No      |
| Conforms with CCC            | Yes     |
| Conforms with UL             | cULus   |
| UL Type Rating               | Type 12 |

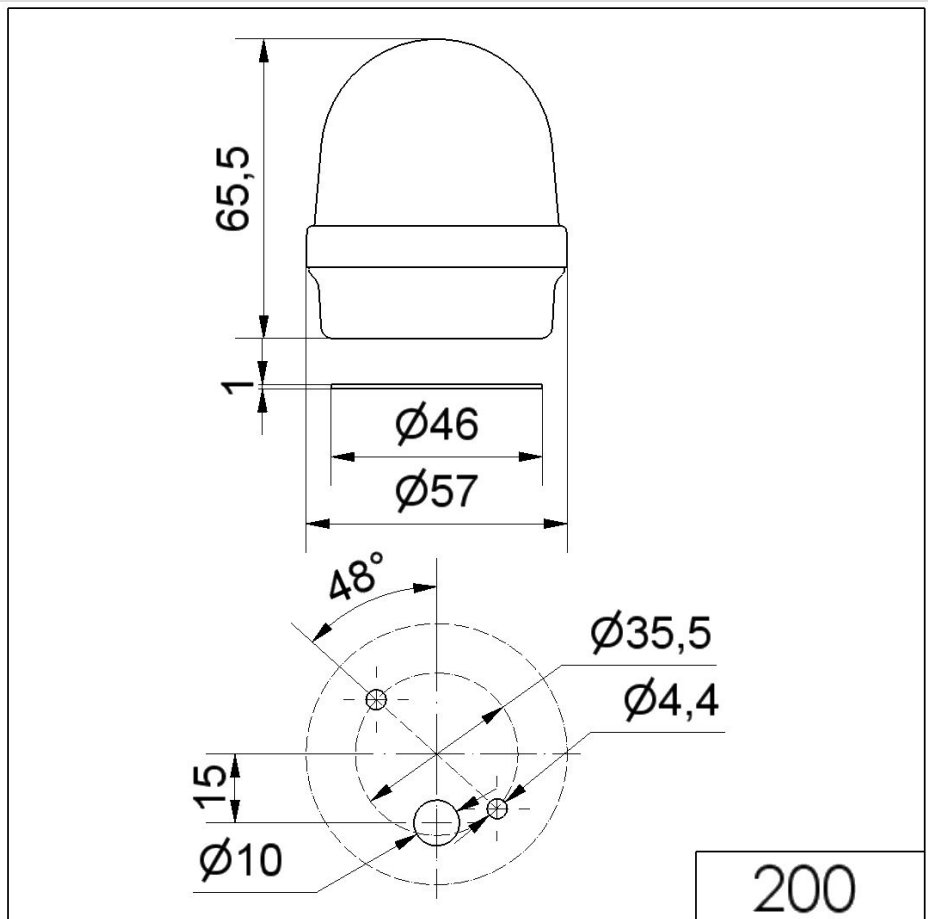


For additional installation and mounting information, refer to the appropriate user guide at [www.werma.com](http://www.werma.com). This printed copy is for information only and is subject to alteration.

Mini free-standing Beacons / Permanent Light 200  
**Permanent Beacon BM 12-230VAC/DC BU**

|                               |                       |
|-------------------------------|-----------------------|
| Conforms with FCC             | No                    |
| Conforms with IC              | No                    |
| EAC certificate available     | Yes                   |
| Conforms with UKCA (Importer) | Yes (WERMA (UK) Ltd.) |
| Conforms with AS-I            | No                    |
| ICAO Certification            | No                    |
| Conforms with DNV             | No                    |
| Conforms with RoHS CN         | No                    |
| Conforms with VdS             | No                    |

**DRAWING**



! For additional installation and mounting information, refer to the appropriate user guide at [www.werma.com](http://www.werma.com). This printed copy is for information only and is subject to alteration.