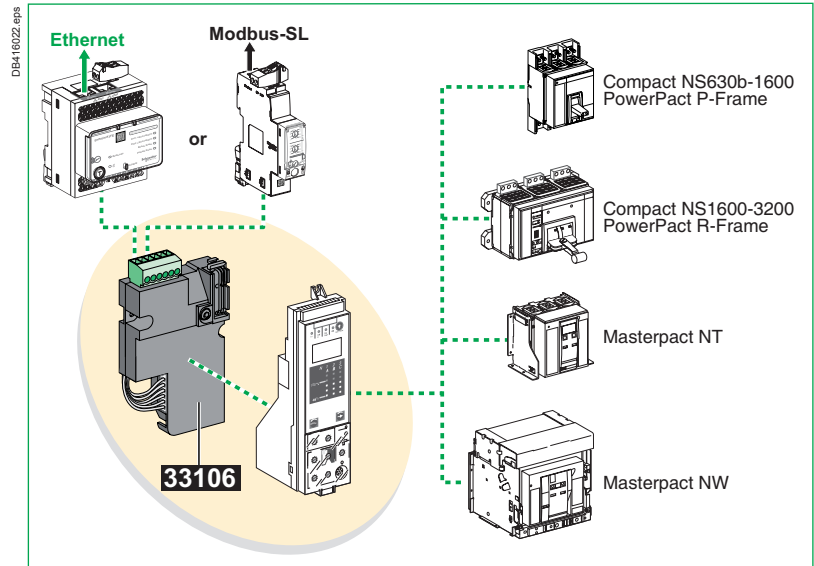


# Masterpact NT/NW, Compact NS, PowerPact P- and R-Frame Communication option Option communication Opción de comunicación

- EN** Installation manual
- FR** Notice d'installation
- ES** Instrucciones de instalación





# Contents

---

<b>1</b>	<b>Safety instructions .....</b>	<b>4</b>
<b>2</b>	<b>General presentation of the COM option .....</b>	<b>6</b>
	Communication architecture.....	8
	Description of the BCM ULP .....	9
<b>3</b>	<b>Installation of the communication modules</b>	
	Precautions before carrying out any work .....	10
	<b>Fixed, manually-operated Compact NS or PowerPact P- and R- frame</b> .....	<b>11</b>
	Wiring of the breaker ULP cord on the BCM ULP .....	11
	Connection to the communication interfaces .....	12
	<b>Fixed, electrically-operated Compact NS, PowerPact P- frame or Masterpact NT/NW</b> .....	<b>13</b>
	Wiring of the breaker ULP cord .....	13
	Connection to the communication interface module .....	14
	<b>Withdrawable Compact NS or PowerPact P- frame and drawout Masterpact NT/NW</b> .....	<b>15</b>
	Wiring of the breaker ULP cord.....	15
	Connection to the IO module .....	16
	Wiring of the carriage switch contacts to the IO module.....	17
<b>4</b>	<b>Troubleshooting assistance .....</b>	<b>18</b>

## Safety instructions

### Important information

#### PLEASE NOTE

Electrical equipment should be installed, operated, serviced, and maintained only by qualified personnel. No responsibility is assumed by Schneider Electric for any consequences arising out of the use of this material.

A qualified person is one who has skills and knowledge related to the construction and operation of electrical equipment and the installation, and has received safety training to recognize and avoid the hazards involved.

#### Related documents

For additional instructions, refer to:

- the appropriate Circuit Breaker technical publications
- DOCA0054EN, Masterpact NT/NW and Compact NS Modbus communication guide
- 0613IB1313 Masterpact NT/NW and PowerPact P- and R-Frame Modbus communication guide
- S1A73172, breaker ULP cord instruction sheet
- NVE85393, IFM instruction sheet
- QGH13473, IFE instruction sheet
- HRB49217, IO module instruction sheet

You can download these technical publications and other technical information from our website at: [www.schneider-electric.com](http://www.schneider-electric.com).

#### Hazard categories and special symbols

Read these instructions carefully, and look at the equipment to become familiar with the device before trying to install, operate, or maintain it. The following special messages may appear throughout this documentation or on the equipment to warn of potential hazards or to call attention to information that clarifies or simplifies a procedure.



The addition of this symbol to a Danger safety label indicates that an electrical hazard exists, which will result in personal injury if the instructions are not followed.



This is the safety alert symbol. It is used to alert you to potential personal injury hazards. Obey all safety messages that follow this symbol to avoid possible injury or death.

#### **DANGER**

**DANGER** indicates a hazardous situation which, if not avoided, **will result in** death or serious injury.

#### **WARNING**

**WARNING** indicates a hazardous situation which, if not avoided, **could result in** death or serious injury.

#### **CAUTION**

**CAUTION** indicates a hazardous situation which, if not avoided, **could result in** minor or moderate injury.

#### **NOTICE**

**NOTICE** is used to address practices not related to physical injury.

# Safety instructions

## Before you begin

### **DANGER**

#### **HAZARD OF ELECTRIC SHOCK, EXPLOSION, OR ARC FLASH**

- Apply appropriate personal protective equipment (PPE) and follow safe electrical work practices. See NFPA 70E, CSA Z462, NOM-029-STPS or local equivalent.
- This equipment must only be installed and serviced by qualified electrical personnel.
- Turn off all power supplying this equipment before working on or inside equipment.
- Always use a properly rated voltage sensing device to confirm power is off.
- Replace all devices, doors and covers before turning on power to this equipment.
- Beware of potential hazards and carefully inspect the work area for tools and objects that may have been left inside the equipment.

**Failure to follow these instructions will result in death or serious injury.**

### **WARNING**

#### **LOSS OF CONTROL**

- The designer of any control scheme must consider the potential failure modes of control paths and, for certain critical control functions, provide a means to achieve a safe state during and after a path failure. Examples of critical control functions are emergency stop and overtravel stop.
- Separate or redundant control paths must be provided for critical control functions.
- System control paths may include communication links. Consideration must be given to the implications of unanticipated transmission delays or failures of the link.<sup>(1)</sup>
- Each implementation of a circuit breaker equipped with a BCM ULP must be individually and thoroughly tested for proper operation before being placed into service.

**Failure to follow these instructions can result in death, serious injury, or equipment damage.**

<sup>(1)</sup> NEMA markets: For additional information refer to NEMA ICS 1.1 (latest edition), "Safety Guidelines for the Application, Installation, and Maintenance of Solid State Control".

## General presentation of the COM option

### Definition of the COM option

The COM option enables the connection of a circuit breaker to a Modbus-SL or Ethernet communication network. The Modbus-SL COM option includes:

- the BCM ULP breaker communication module installed inside the device
- the breaker ULP cord
- the IFM Modbus-SL interface for one circuit breaker

The Ethernet COM option includes:

- the BCM ULP breaker communication module installed inside the circuit breaker
- the breaker ULP cord
- the IFE Ethernet interface for one circuit breaker

**Note:** The IO input/output interface for one circuit breaker is delivered with the withdrawable devices ordered with the COM option, for cradle management. The COM option is available on the circuit breakers of the following ranges:

- Compact NS630b to 3200
- PowerPact P- and R-frame
- Masterpact NT and NW

With the COM option, the devices may be integrated in a supervision system implementing the Modbus protocol.

In conjunction with the Micrologic trip units, the COM option is used to:

- analyse distribution-system parameters for operating and maintenance purposes
- control the device
- indicate status conditions
- identify the causes of faults
- set protection functions
- identify the device

**Note:** To help ensure that communication network (or trip unit keypad) protection settings do not exceed required power system protection levels, adjust the trip unit switches for required protection before making adjustments using the communication network (or trip unit keypad). Refer to trip unit instructions for additional information regarding protection settings.

### Configuration of the COM option

Only the IFM or IFE needs to be configured. It is not necessary to configure the BCM ULP with the Micrologic trip unit. The BCM ULP communication parameter 4W/2W+ULP is factory set to 2W+ULP.

### Modbus legacy

The COM option enables the connection of a circuit breaker to a Modbus-SL communication network via the Modbus legacy port of the BCM ULP.

For this purpose :

- do not connect the IFM to the BCM ULP
- do not connect the IO module to the BCM ULP
- for drawout circuit breakers requiring cradle management, connect the CCM (cradle communication module)
- set the BCM ULP communication parameter 4W/ 2W+ULP to 4W
- refer to the Instruction sheet 5100512864A for installation

### Definition of the abbreviations

- BCM ULP = breaker communication module compatible with the ULP system (Universal Logic Plug)
- IFM = Modbus-SL interface for one circuit breaker
- IFE = Ethernet interface for one circuit breaker
- IO = input/output application module for one circuit breaker

### About the book

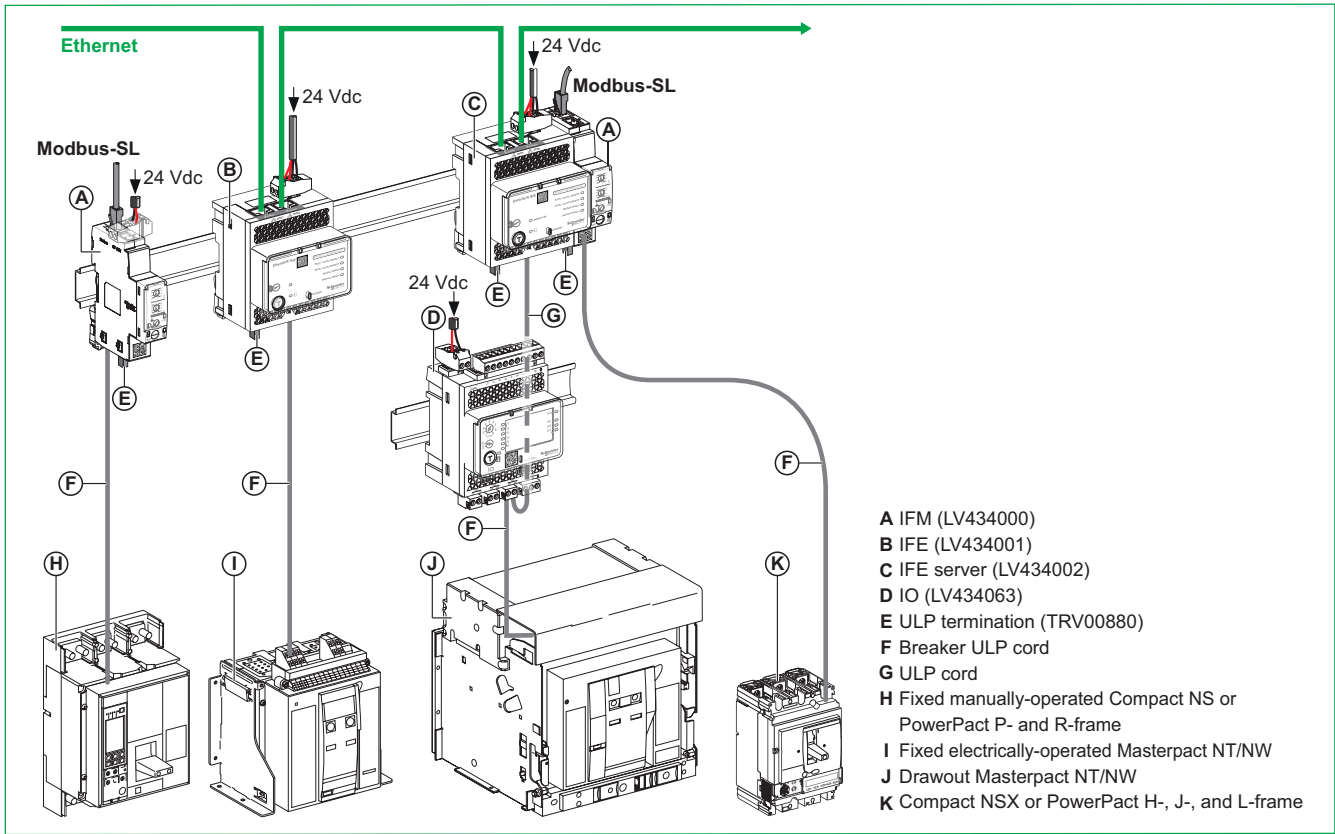
This installation manual is delivered with devices ordered with the Modbus-SL or Ethernet COM option.

It describes how to connect the BCM ULP to the IFM or IFE using the breaker ULP cord for the various circuit breaker configurations:

- fixed manually-operated Compact NS or PowerPact P- and R-frame.
- fixed electrically-operated Compact NS, PowerPact P- frame or Masterpact NT/NW.
- withdrawable Compact NS or PowerPact P- frame and drawout Masterpact NT/NW.

# General presentation of the COM option (cont.)

DB416023.eps



## General presentation of the COM option (cont.)

### Communication architecture

#### BCM ULP

Supplied with the device, the BCM ULP is installed behind the Micrologic trip unit and is wired to the microswitches:

- for manually-operated devices:
  - OF, SDE and/or SD contacts
- for electrically-operated devices:
  - OF, SDE, PF, CH contacts
  - connection kit to the MX1 and XF communicating voltage releases.

The BCM ULP is independent of the trip unit.

It communicates two-way with:

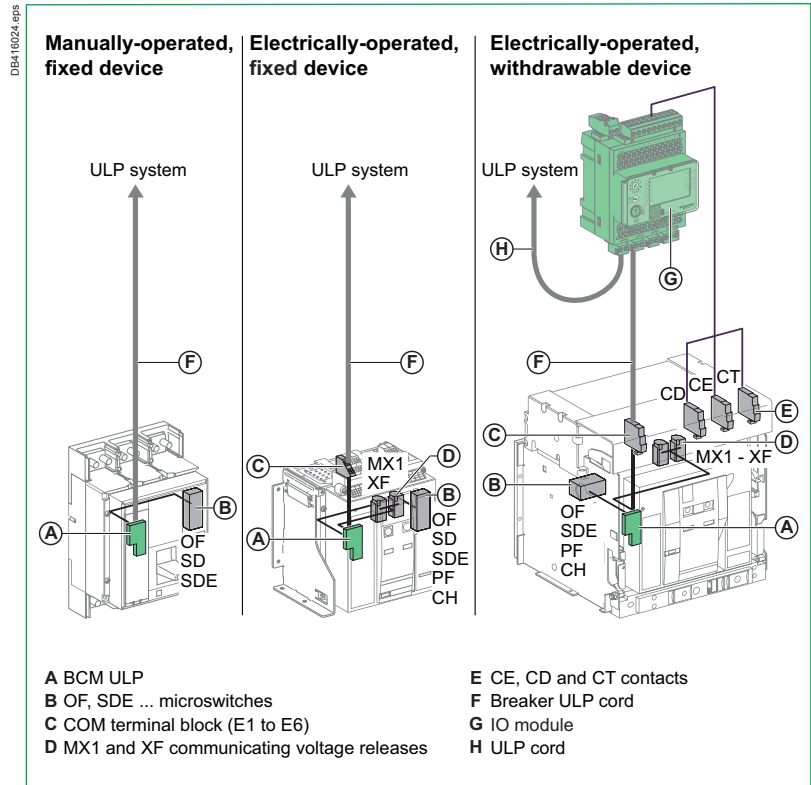
- the ULP system via the breaker ULP cord
- the Micrologic trip unit via an infra-red link

#### IO module

The IO module is delivered with the withdrawable devices ordered with the COM option, for cradle management.

It must be installed on a DIN rail near the device. It must be connected:

- to the ULP system
- to the position contacts (CD, CT, CE) that transmit the position of the device in the cradle





## General presentation of the COM option (cont.)

### Description of the BCM ULP

The COM option systematically includes a BCM ULP breaker communication module (see page 8). The BCM ULP is independent of the trip unit. It sends to and receives information from:

- the ULP system
- the trip unit via an infra-red link
- the circuit breaker, via its microswitches
- MX1 and XF communicating voltage releases.

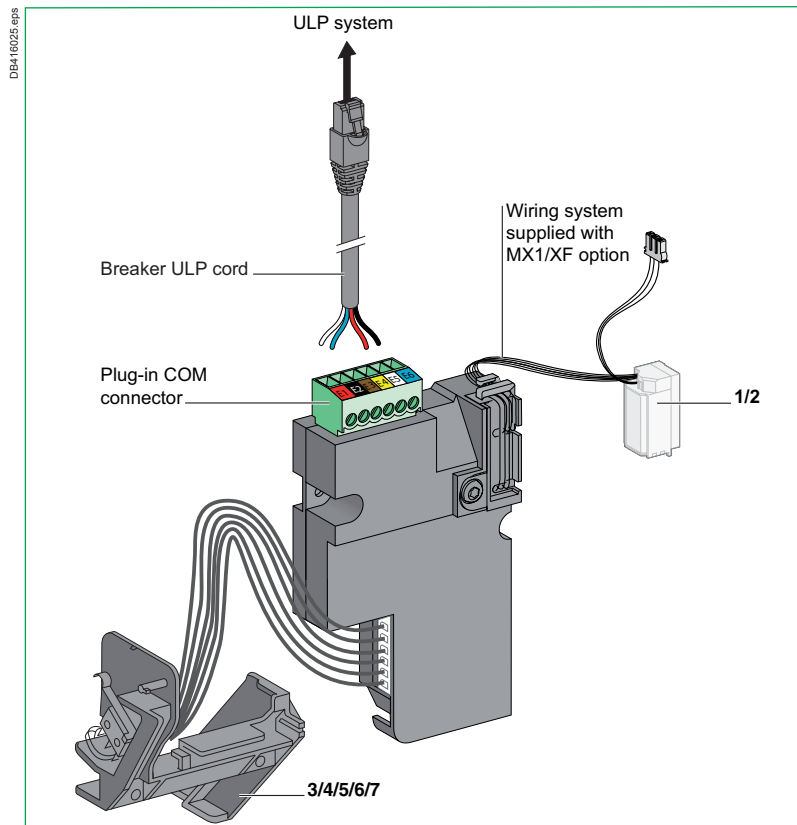
The BCM ULP is made up of the parts shown in figure opposite, which are supplied installed on the device and connected to the BCM ULP.

Parts supplied installed on the device and connected to the BCM ULP	Fixed, manually-operated Compact NS PowerPact P- and R- frame	Fixed, electrically-operated Compact NS, PowerPact P- frame <sup>(1)</sup> or Masterpact P- Fixed and drawout Masterpact NT/NW
<b>Voltage releases</b>		
MX1 communicating voltage releases used to open the device		<input type="checkbox"/>
XF communicating voltage releases used to close the device		<input type="checkbox"/>
<b>Auxiliary contacts</b>		
OF (ON/OFF)	■	■
SD (trip indication)	■	■
SDE (fault-trip indication)	■	■
PF (ready-to-close)	■	■
CH (springs charged)	■	■

■ standard      □ optional

<sup>(1)</sup> With stored energy mechanism.

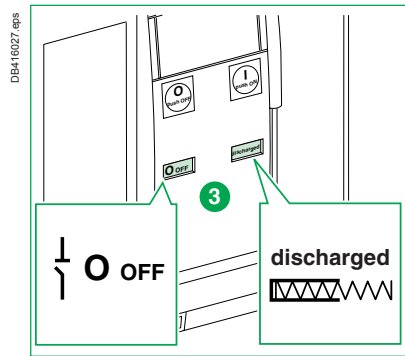
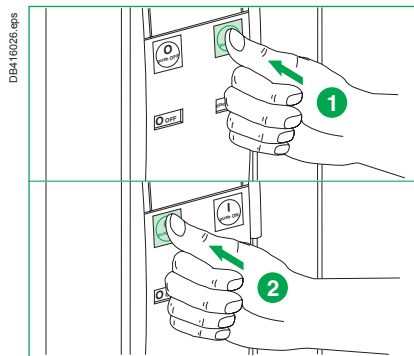
EAV3608000-03



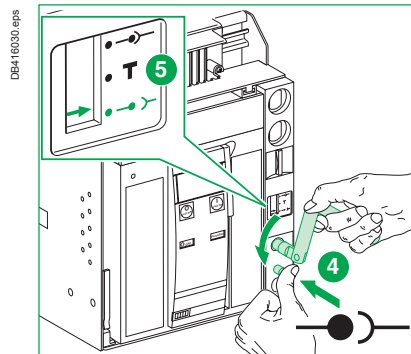
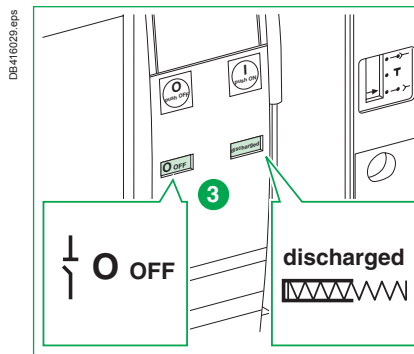
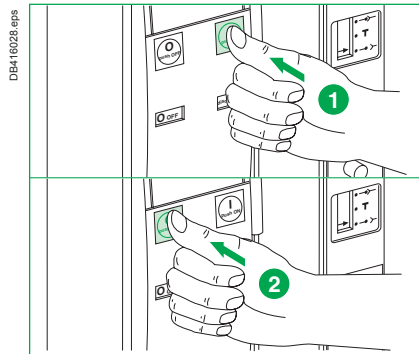
## Precautions before carrying out any work

Before carrying out any work, always de-energize the device as indicated here. Withdrawable devices should be moved to the disconnected position.

### Fixed device



### Withdrawable device



# Fixed, manually operated Compact NS or PowerPact P- and R- frame

## Wiring of the breaker ULP cord on the BCM ULP

### Precaution: wire routing

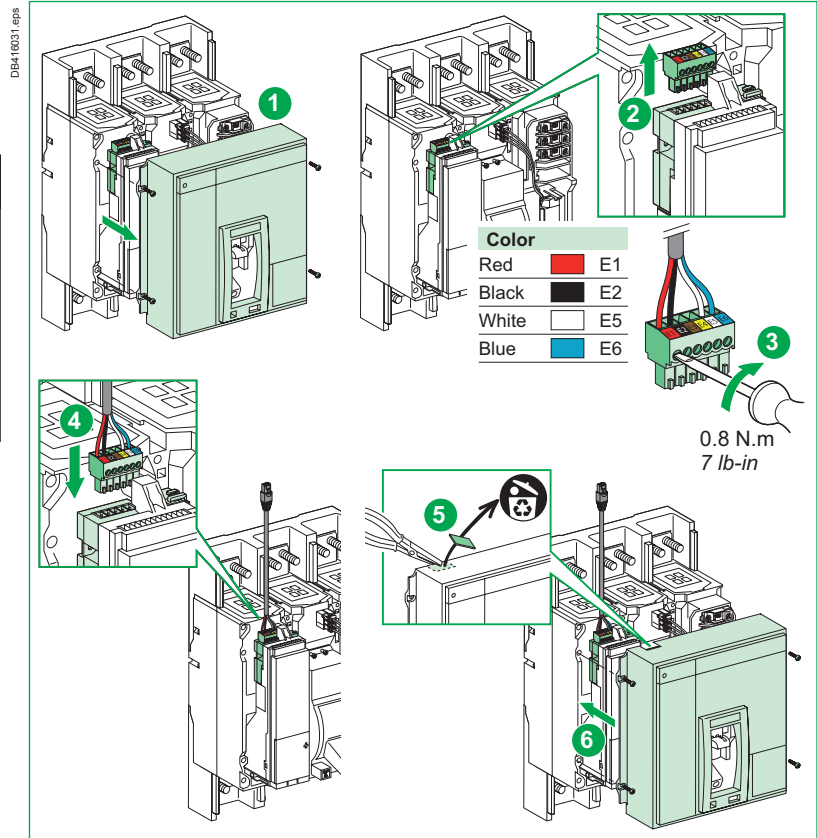
Run the wires in such a way as to avoid all risk of pinching or crushing the cable or the wires when the front cover is fitted (see illustration).

 **DANGER**

**HAZARD OF ELECTRIC SHOCK, EXPLOSION, OR ARC FLASH**

Replace circuit breaker accessory cover before energizing circuit breaker to prevent access to live terminals.

**Failure to follow these instructions will result in death or serious injury.**

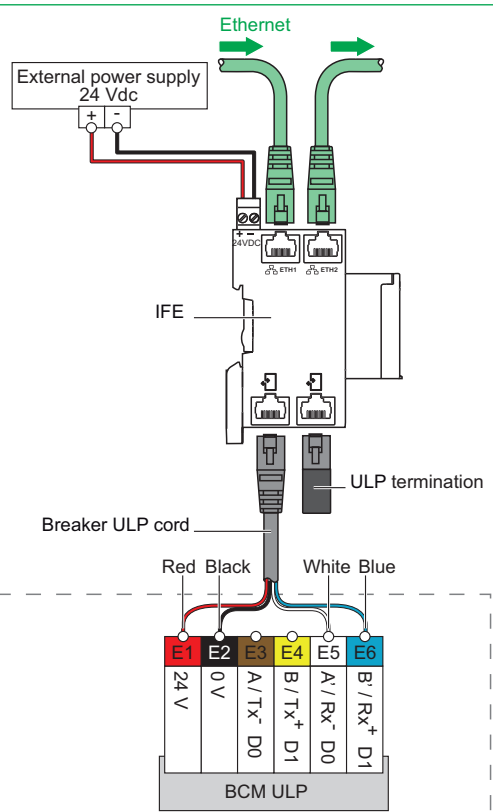
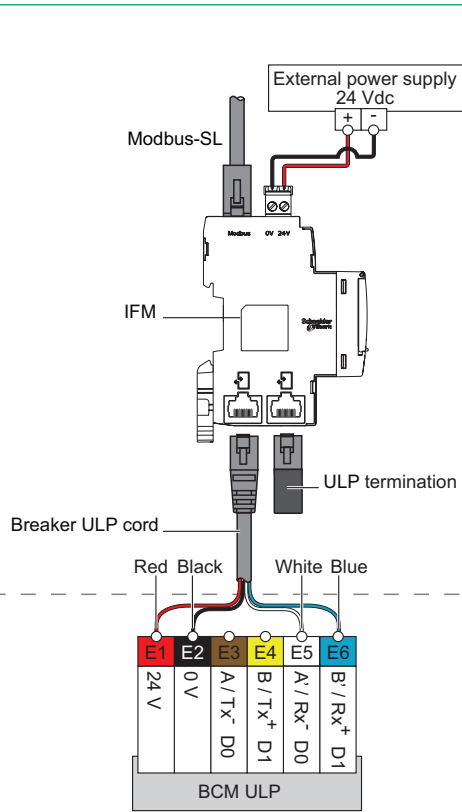
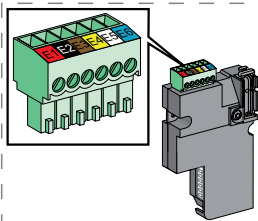


# Fixed, manually operated Compact NS or PowerPact P- and R- frame (cont.)

## Connection to the communication interface module

DE416032.eps

Color			
Red	<span style="color: red;">■</span>	E1	24 V
Black	<span style="color: black;">■</span>	E2	0 V
White	<span style="color: white;">■</span>	E5	H
Blue	<span style="color: blue;">■</span>	E6	L



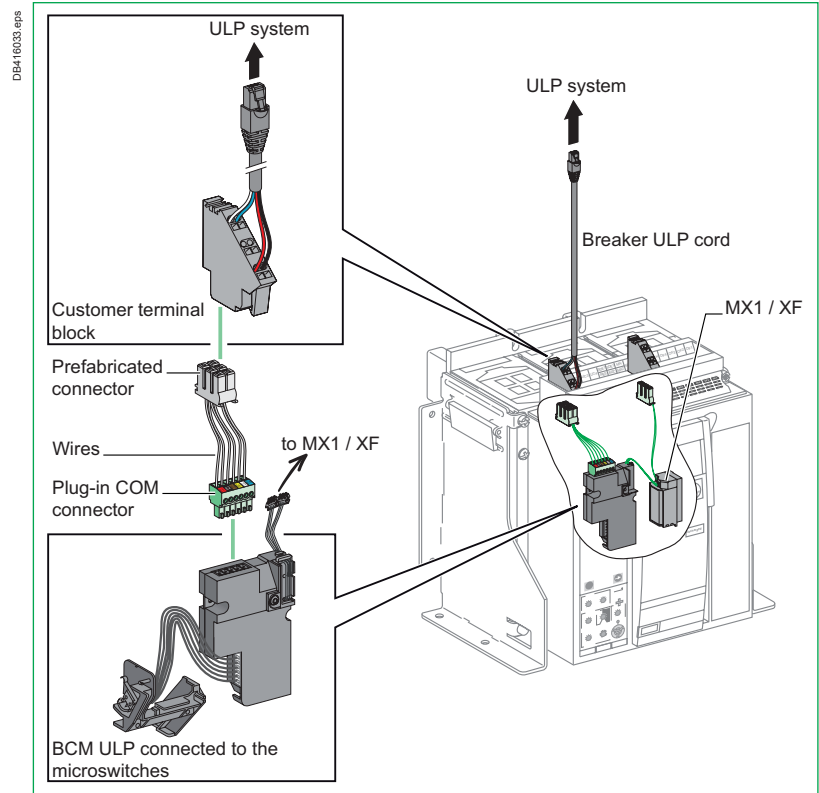
# Fixed, electrically operated Compact NS, PowerPact P- frame or Masterpact NT/NW

## Wiring of the breaker ULP cord

### BCM ULP connection to the customer terminal block

Supplied with the device, the BCM ULP is mounted behind the Micrologic trip unit and is wired to the microswitches.

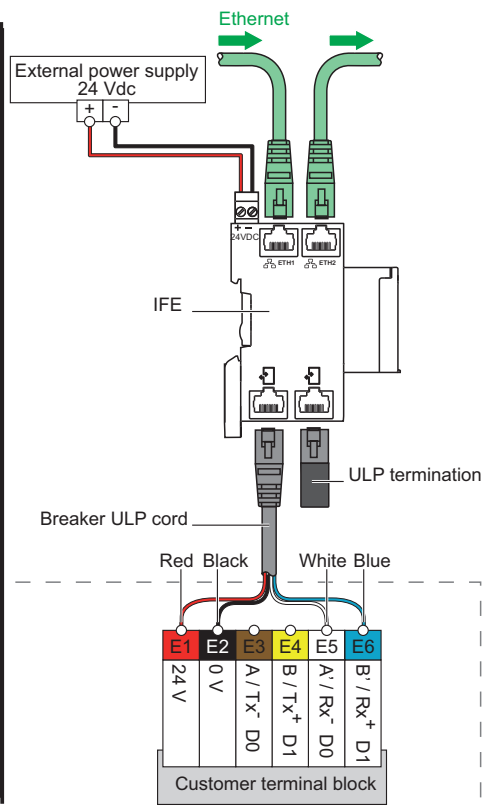
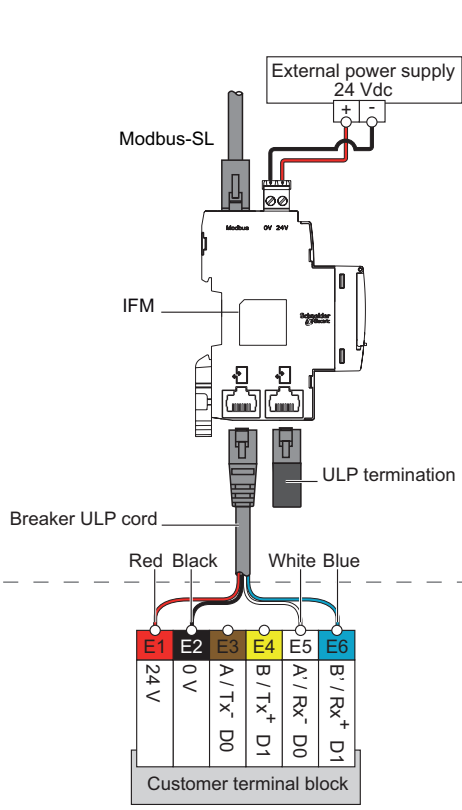
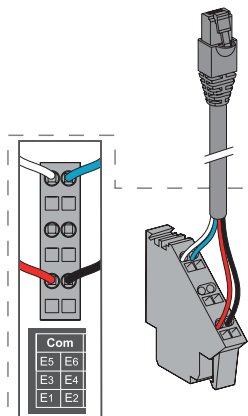
The BCM ULP is equipped with a plug-in COM connector that connects to the fixed customer terminal block (spring terminals) via prefabricated wiring. The customer terminal block is used for connection to the ULP system using the breaker ULP cord.



## Fixed, electrically operated Compact NS, PowerPact P- frame or Masterpact NT/NW (cont.) Connection to the communication interface module

DB416034.eps

Color		
Red	<span style="display:inline-block; width:10px; height:10px; background-color:red;"></span>	E1 24 V
Black	<span style="display:inline-block; width:10px; height:10px; background-color:black;"></span>	E2 0 V
White	<span style="display:inline-block; width:10px; height:10px; background-color:white;"></span>	E5 H
Blue	<span style="display:inline-block; width:10px; height:10px; background-color:blue;"></span>	E6 L



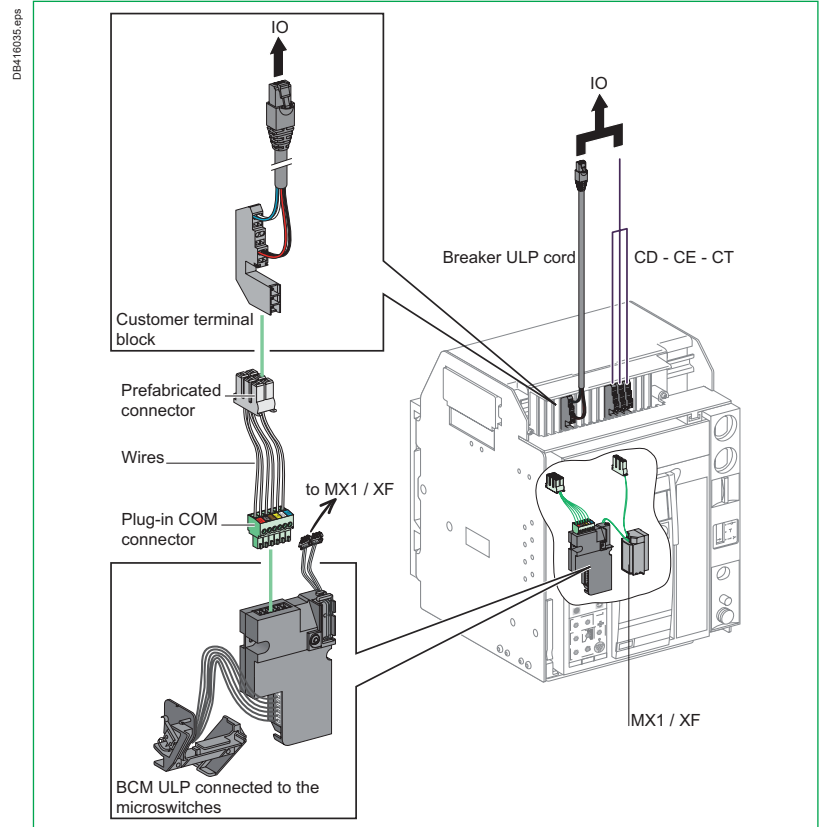
# Withdrawable Compact NS or PowerPact P- frame and drawout Masterpact NT/NW

## Wiring of the breaker ULP cord

### BCM ULP connection to the customer terminal block

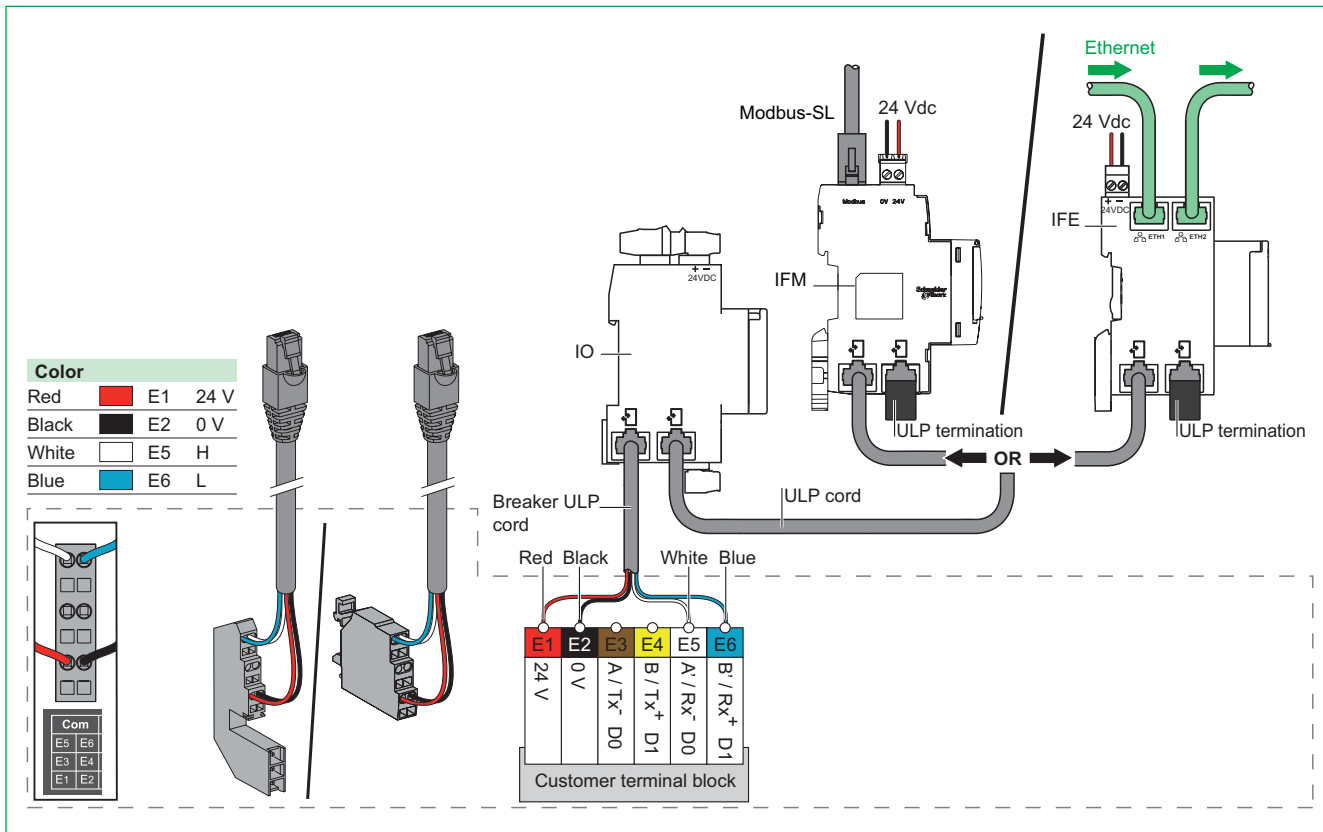
Supplied with the device, the BCM ULP is installed behind the Micrologic trip unit and is wired to the microswitches.

The BCM ULP is equipped with a plug-in COM connector that connects to the fixed customer terminal block (spring terminals) via prefabricated wiring. The customer terminal block is used for connection to the ULP system using the breaker ULP cord.



# Withdrawable Compact NS or PowerPact P- frame and drawout Masterpact NT/NW (cont.) Connection to the IO module

DS410036.eps





# Withdrawable Compact NS or PowerPact P- frame and drawout Masterpact NT/NW (cont.) Wiring of the cradle position contacts to the IO module

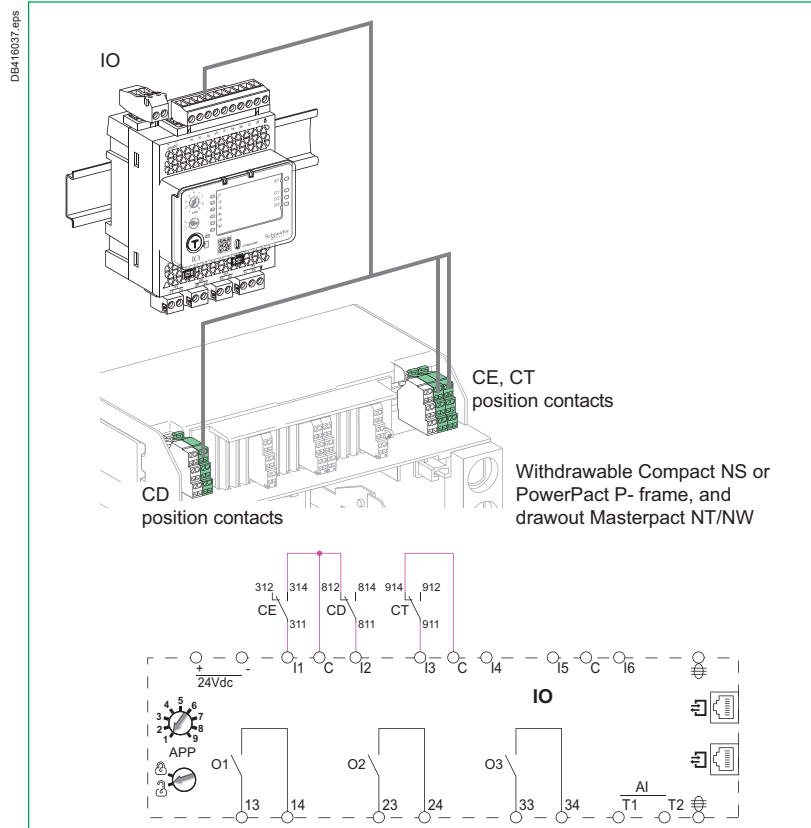
## Connection to the cradle position contacts

These are changeover contacts.

- CE, indicating the connected position
- CD, indicating the disconnected position
- CT, indicating the test position

Connections are made to the following terminals:

- CE, terminals 311 and 314
- CD, terminals 811 and 812
- CT, terminals 911 and 914



## Troubleshooting assistance

<b>Micrologic trip unit does not display the communication parameters (address, baud rate, parity)</b>	
<b>Possible cause</b>	<b>Action/remedy</b>
External 24 Vdc power supply absent.	Check the 24 Vdc power supply.
Polarities reversed on terminals E1, E2.	Check the + is on E1, the – on E2.
<b>Micrologic trip unit P or H does not display the Modbus connection parameter: 4 wires / 2 wires + ULP</b>	
<b>Possible cause</b>	<b>Action/remedy</b>
The BCM is an old version: firmware version must be > V3.0.0 Check the Modbus register 577 or check the color of the terminal block located on the fixed part of the BCM (should be grey instead of green).	Replace the existing BCM with a new BCM ULP.
Micrologic trip unit (P/H) is an old version: firmware version must be > 2009AJ.	Use the customer engineering tool in order to upgrade the Micrologic trip unit firmware.
<b>The FDM121 front display module for one circuit breaker is flashing and/or displays wrong values</b>	
<b>Possible cause</b>	<b>Action/remedy</b>
The FDM121 is an old version: firmware version must be > V2.0.2. Firmware version is readable on the Service menu of the FDM121.	Use the customer engineering tool in order to upgrade the firmware of the FDM121.
<b>Erratic responses on Modbus request (time-out or no response)</b>	
<b>Possible cause</b>	<b>Action/remedy</b>
Wrong connections	Check the wiring of the BCM ULP.
Configuration (4 wires/2 wires + ULP parameter) not consistent with the wiring of the BCM ULP	Make sure the terminal blocks E5 and E6 are not connected to the Modbus-SL network.
<b>Micrologic trip unit and/or FDM121 LCD's are flashing</b>	
<b>Possible cause</b>	<b>Action/remedy</b>
2 ULP modules of the same type are connected on the same ULP system. For example, 2 circuit breakers (1 Compact NSX and 1 Masterpact NW)	Remove one of the duplicated ULP module. For example, disconnect the Compact NSX from the ULP system.

<b>1</b>	<b>Consignes de sécurité .....</b>	<b>20</b>
<b>2</b>	<b>Présentation générale de l'option COM .....</b>	<b>22</b>
	Architecture des communications .....	24
	Description du module BCM ULP .....	25
<b>3</b>	<b>Installation des modules de communication</b>	
	Précautions à prendre avant d'exécuter une tâche quelconque .....	26
	Compact NS ou PowerPact à châssis P ou R fixe à commande manuelle.....	27
	Câblage du cordon ULP de disjoncteur sur le module BCM ULP .....	27
	Raccordement du module interface de communication.....	28
	Compact NS, PowerPact à châssis P ou Masterpact NT/NW fixes à commande électrique .....	29
	Câblage du cordon ULP de disjoncteur .....	29
	Raccordement du module interface de communication.....	30
	Compact NS ou PowerPact à châssis P et Masterpact NT/NW débrochables.....	31
	Câblage du cordon ULP de disjoncteur .....	31
	Raccordement au module IO .....	32
	Câblage des contacts de la position du châssis sur le module IO .....	33
<b>4</b>	<b>Aide au dépannage .....</b>	<b>34</b>

## Consignes de sécurité Avant de commencer

### REMARQUE IMPORTANTE

L'installation, l'utilisation, la réparation et la maintenance des équipements électriques doivent être assurées par du personnel qualifié uniquement.

Schneider Electric décline toute responsabilité quant aux conséquences de l'utilisation de cet appareil.

Une personne qualifiée est une personne disposant de compétences et de connaissances dans le domaine de la construction et du fonctionnement des équipements électriques et installations et ayant bénéficié d'une formation de sécurité afin de reconnaître et d'éviter les risques encourus.

### Documents associés

Pour des instructions supplémentaires, se référer à :

- la documentation technique du disjoncteur approprié
- DOCA0054FR, Guide de communication Modbus Masterpact NT/NW et Compact NS,
- 06131B1315, Guide de communication Modbus Masterpact NT/NW et PowerPact à châssis P et R,
- S1A73172, Instruction de service du cordon ULP de disjoncteur,
- NVE85393, Instruction de service de l' IFM,
- QGH13473, Instruction de service de l' IFE,
- HRB49217, Instruction de service du module IO

Vous pouvez télécharger ces publications techniques ainsi que d'autres informations techniques à partir de notre site Web : [www.schneider-electric.com](http://www.schneider-electric.com).

### Catégories de danger et symboles spéciaux

Lisez attentivement ces instructions et examinez le matériel pour vous familiariser avec l'appareil avant de tenter de l'installer, de le faire fonctionner ou d'assurer sa maintenance. Les messages spéciaux suivants que vous trouverez dans cette documentation ou sur l'appareil ont pour but de vous mettre en garde contre des risques potentiels ou d'attirer votre attention sur des informations qui clarifient ou simplifient une procédure.



La présence d'un de ces symboles sur une étiquette de sécurité Danger collée sur un équipement indique qu'un risque d'électrocution existe, susceptible d'entraîner la mort ou des blessures corporelles si les instructions ne sont pas respectées.



Ce symbole est le symbole d'alerte de sécurité. Il vous avertit d'un risque de blessures corporelles. Respectez scrupuleusement les consignes de sécurité pour éviter de vous blesser ou de mettre votre vie en danger.

#### DANGER

**DANGER** signale un risque qui, en cas de non-respect des consignes de sécurité, **provoque** la mort ou des blessures graves.

#### AVERTISSEMENT

**AVERTISSEMENT** signale un risque qui, en cas de non-respect des consignes de sécurité, **peut provoquer** la mort ou des blessures graves.

#### ATTENTION

**ATTENTION** signale un risque qui, en cas de non-respect des consignes de sécurité, **peut provoquer** des blessures légères ou moyennement graves.

#### AVIS

**AVIS** indique des pratiques n'entraînant pas de risques corporels.

## Consignes de sécurité

### Avant de commencer

#### DANGER

##### RISQUE D'ÉLECTROCUTION, D'EXPLOSION OU ÉCLAIR D'ARC ÉLECTRIQUE

- Portez un équipement de protection individuel (EPI) adapté et respectez les consignes de sécurité électrique courantes. Reportez-vous aux normes NFPA 70E, CSA Z462, NOM 029-STPS ou aux codes locaux en vigueur.
- Seul un personnel qualifié doit effectuer l'installation et l'entretien de cet équipement.
- Débranchez toutes les sources d'alimentation de cet équipement avant d'effectuer toute opération interne ou externe sur celui-ci.
- Utilisez toujours un dispositif de détection de tension ayant une valeur nominale appropriée pour vous assurer que l'alimentation est coupée.
- Remplacez tous les dispositifs, les portes et les capot avant de mettre l'équipement sous tension.
- Faites attention aux dangers potentiels et inspectez attentivement la zone de travail pour vous assurer qu'aucun outil ou objet n'est resté à l'intérieur de l'équipement.

**Si ces directives ne sont pas respectées, cela entraînera la mort ou des blessures graves.**

#### AVERTISSEMENT

##### PERTE DE COMMANDE

- Le concepteur d'un circuit de commande doit tenir compte des modes de défaillance potentiels des canaux de commande et, pour certaines fonctions de commande critiques, prévoir un moyen d'assurer la sécurité en maintenant un état sûr pendant et après la défaillance. L'arrêt d'urgence et l'arrêt en cas de sur-course constituent des exemples de fonctions de contrôle essentielles.
- Des chemins de contrôle séparés ou redondants doivent être fournis pour les fonctions de contrôle essentielles.
- Les chemins de contrôle du système peuvent comprendre les liaisons de communication. Il est nécessaire de tenir compte des conséquences des retards de transmission inattendus ou des défaillances d'une liaison.<sup>(1)</sup>
- Chaque mise en œuvre d'un disjoncteur doté d'un BCM ULP doit être testée individuellement et de manière approfondie afin de vérifier son fonctionnement avant sa mise en service.

**Si ces directives ne sont pas respectées, cela peut entraîner la mort ou des blessures graves ou des dommages matériels.**

<sup>(1)</sup> Pour un marché aux normes NEMA, se reporter à la directive NEMA ICS 1.1 (dernière édition) intitulée "Safety Guidelines for the Application, Installation, and Maintenance of Solid State Control".

## Présentation générale de l'option COM

### Définition de l'option COM

L'option COM permet le raccordement d'un disjoncteur à un réseau de communication de liaison série Modbus ou Ethernet. L'option COM de liaison série Modbus inclut :

- le module de communication du disjoncteur BCM ULP installé dans l'appareil,
- le cordon ULP de disjoncteur,
- l'interface Modbus-SL pour un disjoncteur (IFM)

L'option COM Ethernet inclut :

- le module de communication du disjoncteur BCM ULP installé dans l'appareil,
- le cordon ULP de disjoncteur,
- l'interface Ethernet pour un disjoncteur (IFE)

**Remarque :** Le module IO d'interface entrée/sortie est fourni avec les appareils débrochables commandés avec l'option COM, pour la gestion de châssis.

L'option COM est disponible pour les disjoncteurs des gammes suivantes :

- Compact NS630b à 3200,
- PowerPact à châssis P et R,
- Masterpact NT et NW

L'option COM permet leur intégration dans un système de supervision communiquant sous Modbus.

Avec tous les déclencheurs Micrologic, l'option COM permet :

- l'analyse des paramètres du réseau pour les besoins d'exploitation et de maintenance,
- la commande de l'appareil,
- la signalisation des états,
- l'identification des causes de défaut,
- le paramétrage des protections,
- l'identification de l'appareil

**Remarque :** Pour faire en sorte que les réglages de protection du réseau de communication (ou du clavier du déclencheur) ne dépassent pas les niveaux de protection du système, régler les commutateurs du déclencheur pour la protection requise avant d'effectuer des réglages à l'aide du réseau de communication (ou du clavier du déclencheur). Se reporter aux instructions du déclencheur pour obtenir des informations supplémentaires concernant les réglages de protection.

### Configuration de l'option COM

Seul l'IFM ou l'IFE doit être configuré. Il n'est pas nécessaire de configurer le module BCM ULP avec le déclencheur Micrologic. Le paramètre de communication BCM ULP 4 fils/2 fils + ULP est réglé en usine sur 2 fils + ULP.

### Modbus legacy

L'option COM permet le raccordement d'un disjoncteur à un réseau de communication de liaison série Modbus via le port Modbus legacy du module BCM ULP.

Pour ce faire :

- ne pas raccorder le module IFM au BCM ULP,
- ne pas raccorder le module IO au module BCM ULP,
- pour les disjoncteurs débrochables avec gestion de la position du châssis, raccorder le module CCM (module de communication "châssis"),
- régler le paramètre de communication BCM ULP 4 fils/2 fils + ULP sur 4 fils,
- se reporter à l'instruction de service 5100512864A pour l'installation

### Définition des abréviations

- BCM ULP = module de communication du disjoncteur compatible avec le système ULP (Universal Logic Plug),
- IFM = interface Modbus-SL pour un disjoncteur ,
- IFE = interface Ethernet pour un disjoncteur,
- IO = module d'entrées/sorties pour un disjoncteur.

### A propos de ce document

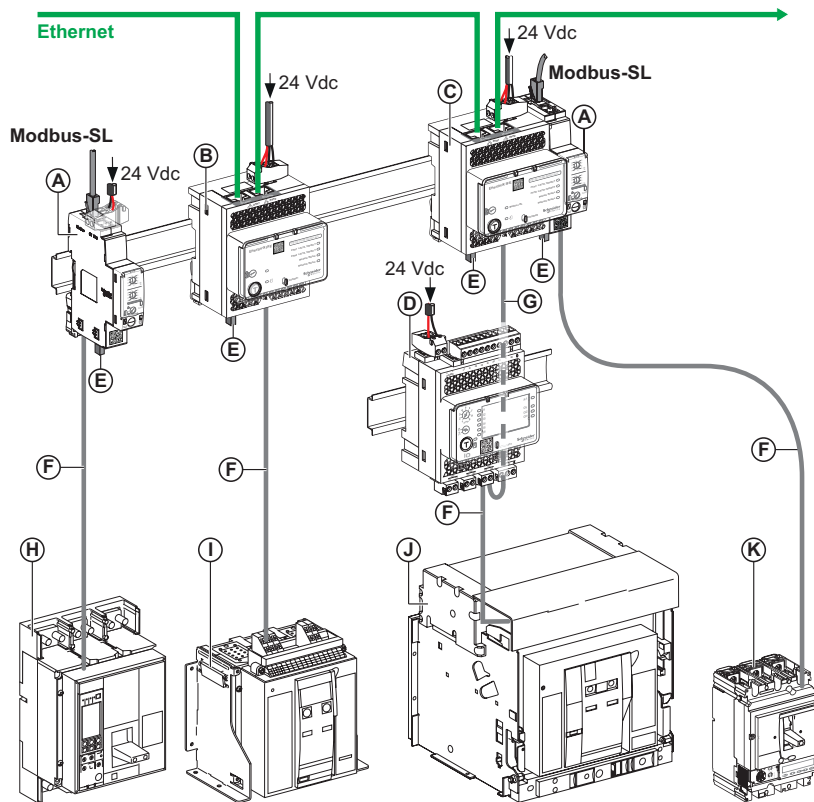
Ce manuel d'installation est livré avec les appareils commandés avec l'option COM liaison série Modbus ou Ethernet.

Il explique comment raccorder le module BCM ULP aux modules IFM ou IFE à l'aide du cordon ULP de disjoncteur pour de nombreuses configurations de disjoncteur :

- Compact NS ou PowerPact à châssis P ou R fixe à commande manuelle,
- Compact NS, PowerPact à châssis P ou Masterpact NT/NW fixe à commande électrique,
- Compact NS ou PowerPact à châssis P et Masterpact NT/NW débrochables.

# Présentation générale de l'option COM (suite)

DB416377 6/96



- A** IFM (LV434000)
- B** IFE (LV434001)
- C** IFE serveur (LV434002)
- D** IO (LV434063)
- E** Terminaison ULP (TRV00880)
- F** Cordon ULP de disjoncteur
- G** Cordon ULP
- H** Compact NS ou PowerPact à châssis P ou R fixe à commande manuelle
- I** Masterpact NT/NW fixe à commande électrique
- J** Masterpact NT/NW débrochable
- K** Compact NSX ou PowerPact à châssis H, J ou L

## Présentation générale de l'option COM (suite)

### Architecture de la communication

#### BCM ULP

Fourni avec l'appareil, le module BCM ULP est installé derrière le déclencheur Micrologic et il est raccordé aux micro-interrupteurs :

- pour les appareils à commande manuelle :
  - contacts OF, SDE et/ou SD.
- pour les appareils à commande électrique :
  - contacts OF, SDE, PF, CH.
  - kit de liaison aux déclencheurs voltmétriques MX1 et XF communicants.

Le module BCM ULP est indépendant du déclencheur. Il transmet et reçoit des communications avec :

- le système ULP via le cordon ULP de disjoncteur,
- le déclencheur Micrologic via une liaison infrarouge

#### Module d'interface entrée/sortie IO pour disjoncteur

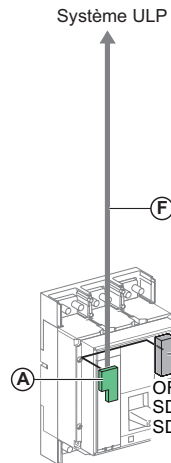
Le module IO est fourni avec des appareils débrochables commandés avec l'option COM, pour la gestion de châssis.

Il doit être installé sur un rail DIN à proximité de l'appareil. Il doit être raccordé :

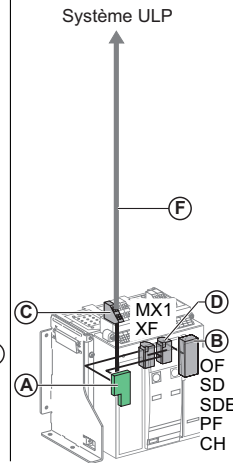
- au système ULP,
- à des contacts de position (CD, CT, CE) qui communiquent les positions de l'appareil dans le châssis

DB416378.eps

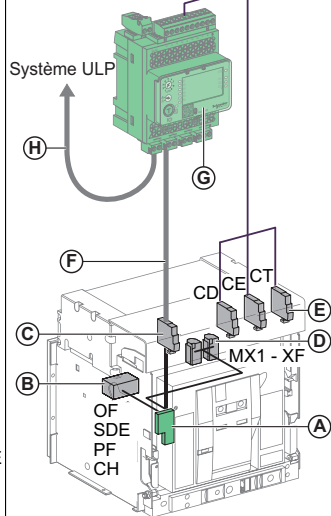
#### Appareil fixe, à commande manuelle



#### Appareil fixe à commande électrique



#### Appareil débrochable à commande électrique



- A BCM ULP
- B OF, SDE ... micro-interrupteurs
- C Bornier COM (E1 à E6)
- D Déclencheurs voltmétriques de communication MX1 et XF

- E Contacts CE, CD et CT
- F Cordon ULP de disjoncteur
- G Module IO
- H Cordon ULP



# Présentation générale de l'option COM (suite)

## Description du module BCM ULP

L'option COM inclut systématiquement un module de communication disjoncteur BCM ULP (voir page 24). Le module BCM ULP est indépendant du déclencheur. Il transmet et reçoit des informations avec :

- le système ULP,
- le déclencheur via une liaison infrarouge,
- l'appareil, via ses micro-interrupteurs,
- les déclencheurs voltmétriques MX1 et XF communicants.

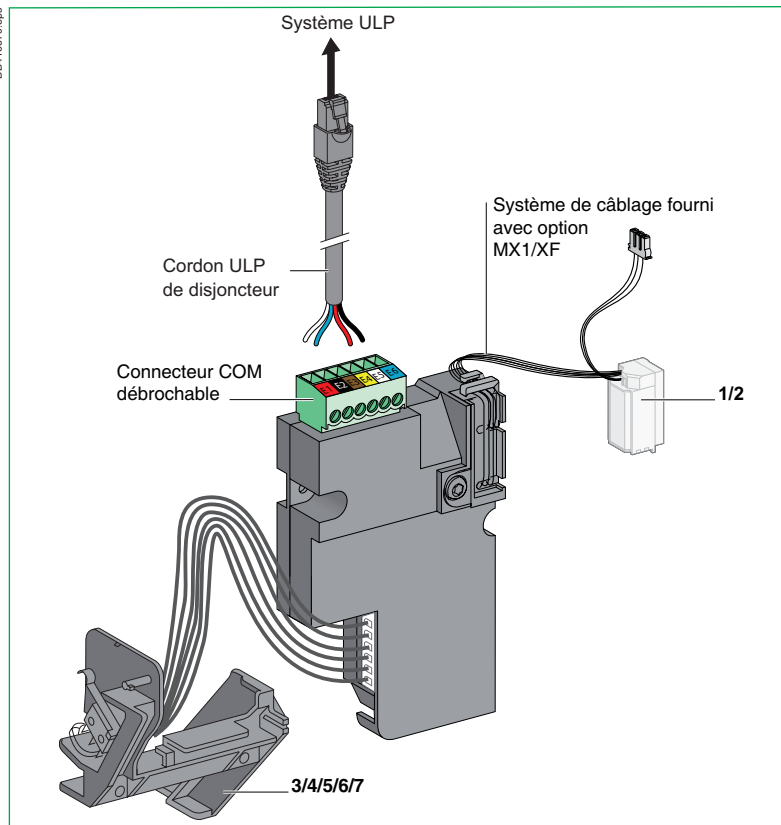
Le module BCM ULP est composé des éléments présentés sur la figure ci-contre qui sont livrés montés sur l'appareil et raccordés au module BCM ULP.

Éléments fournis installés sur l'appareil et raccordés au module BCM ULP	Compact NS PowerPact à châssis P ou R fixe à commande manuelle	Compact NS, PowerPact à châssis P <sup>(1)</sup> ou Masterpact fixe à commande électrique Masterpact NT/NW fixe et débrochable
<b>Déclencheurs voltmétriques</b>		
Déclencheurs voltmétriques MX1 communicants utilisés pour ouvrir l'appareil		□
Déclencheurs voltmétriques XF communicants utilisés pour fermer l'appareil		□
<b>Contacts auxiliaires</b>		
OF (ON/OFF)	■	■
SD (signal déclenchement)	■	
SDE (signal déclenchement sur défaut électrique)	■	■
PF (prêt à fermer)		■
CH (ressorts armés)		■

■ standard □ option

(1) Avec un mécanisme à accumulateur d'énergie.

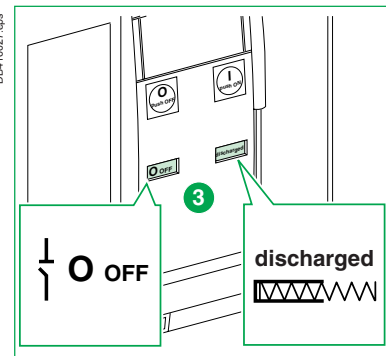
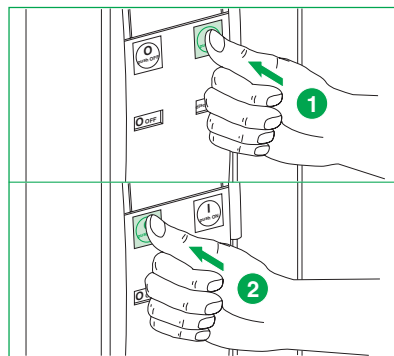
DB416379.eps



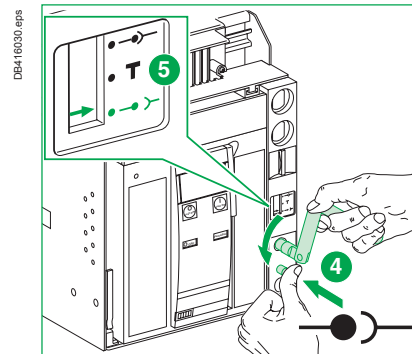
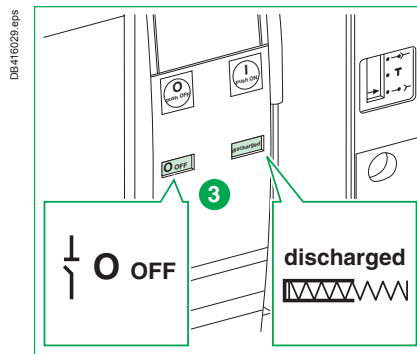
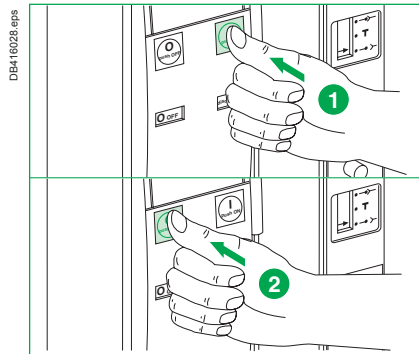
## Précautions préalables à toute intervention

Avant toute intervention sur l'appareil, toujours mettre ce dernier hors tension en procédant comme indiqué ici. Les appareils débroschables doivent être placés en position débroschée.

### Appareil fixe



### Appareil débroschable



# Compact NS ou PowerPact à châssis P ou R fixe à commande manuelle

## Câblage du cordon ULP de disjoncteur sur le module BCM ULP

### Précaution : acheminement de câbles/fils

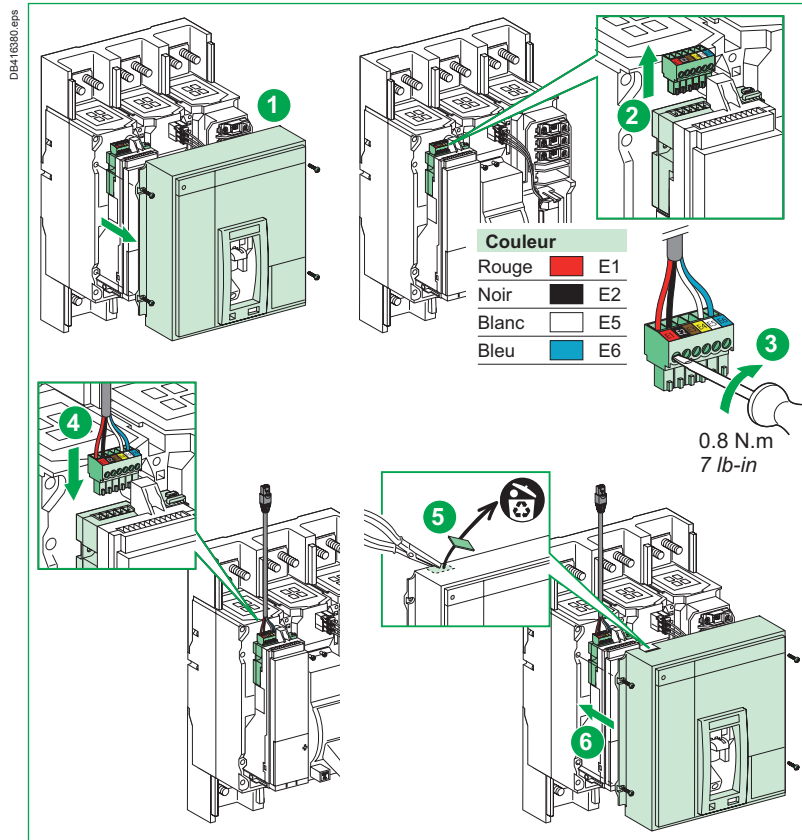
Acheminer les fils de façon à éviter tout risque de pincement ou d'écrasement du câble ou des fils lorsque le couvercle avant est monté (voir l'illustration).

**⚡ ⚠ DANGER**

**RISQUE D'ÉLECTROCUTION, D'EXPLOSION OU D'ECLAIR D'ARC ELECTRIQUE**

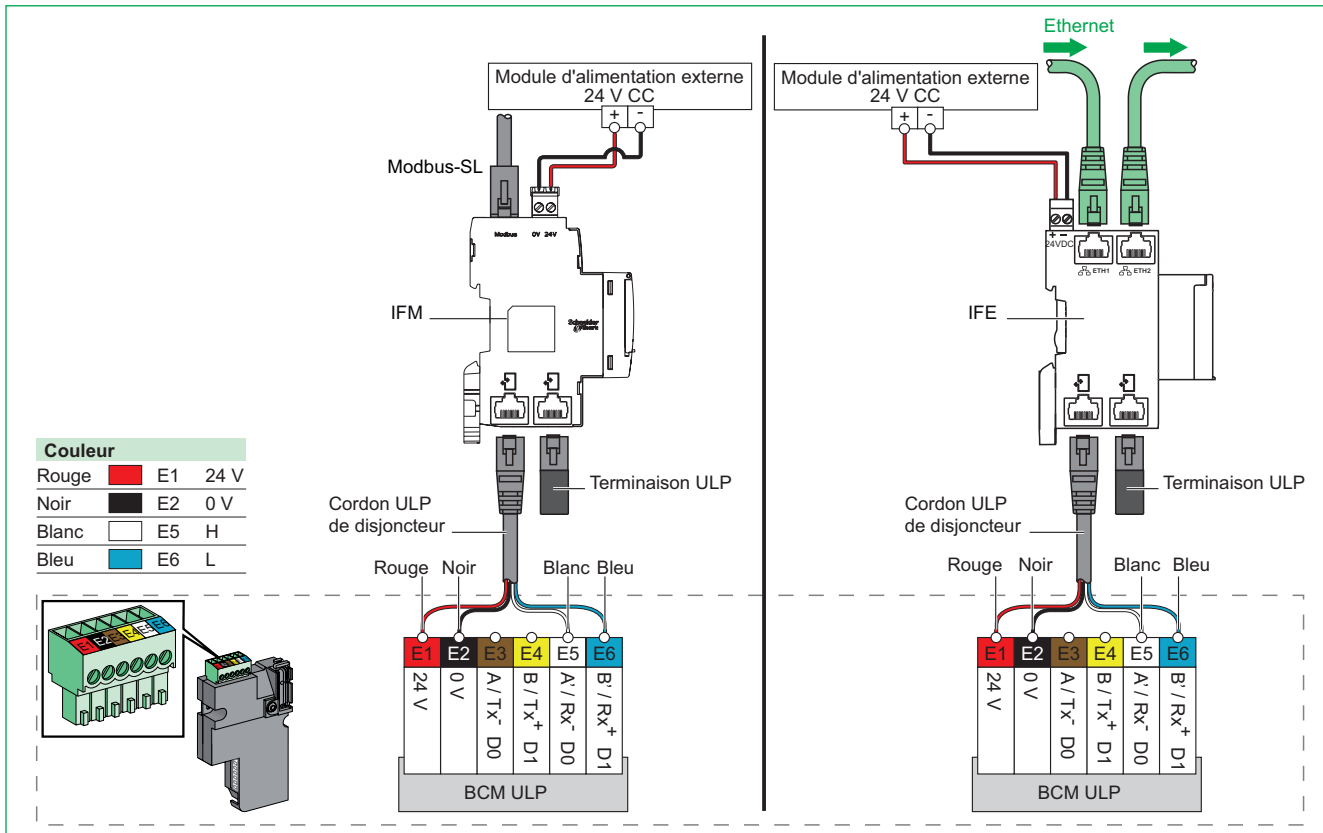
Remettez le couvercle du disjoncteur en place avant de mettre le disjoncteur sous tension afin d'éviter un contact physique avec des bornes sous tension.

**Si ces directives ne sont pas respectées, cela entraînera la mort ou des blessures graves.**



## Compact NS ou PowerPact à châssis P ou R fixe à commande manuelle (suite) Raccordement du module interface de communication

DS4163511.eps



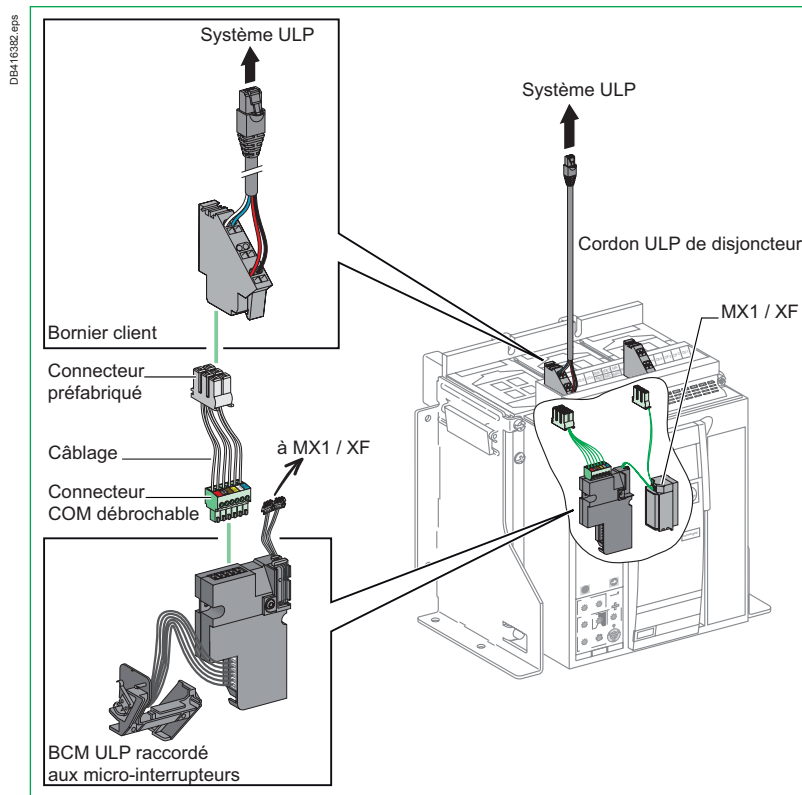
# Compact NS, PowerPact à châssis P ou Masterpact NT/NW fixe à commande électrique

## Câblage du cordon ULP de disjoncteur

### Raccordement du module BCM ULP au bornier client

Fourni avec l'appareil, le module BCM ULP est monté derrière le déclencheur Micrologic et il est raccordé aux micro-interrupteurs.

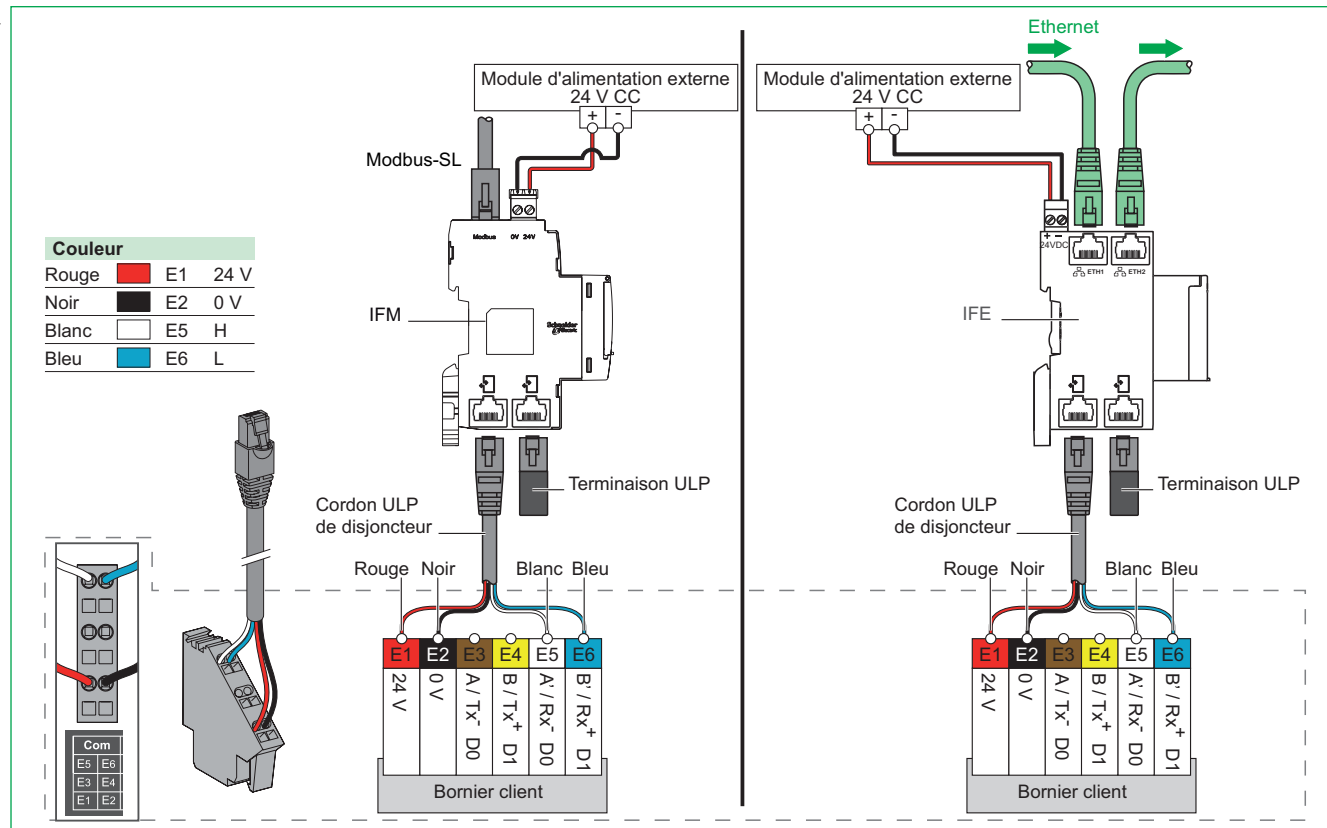
Le module BCM ULP comporte un connecteur de COM débrochable, relié au bornier client fixe (bornes à ressort) par une filerie préfabriquée adapté à l'appareil. Le bornier client permet le raccordement au système ULP à l'aide du cordon ULP de disjoncteur.



## Compact NS, PowerPact à châssis P ou Masterpact NT/NW fixe à commande électrique (suite)

### Raccordement du module interface de communication

DB4 16369 eps



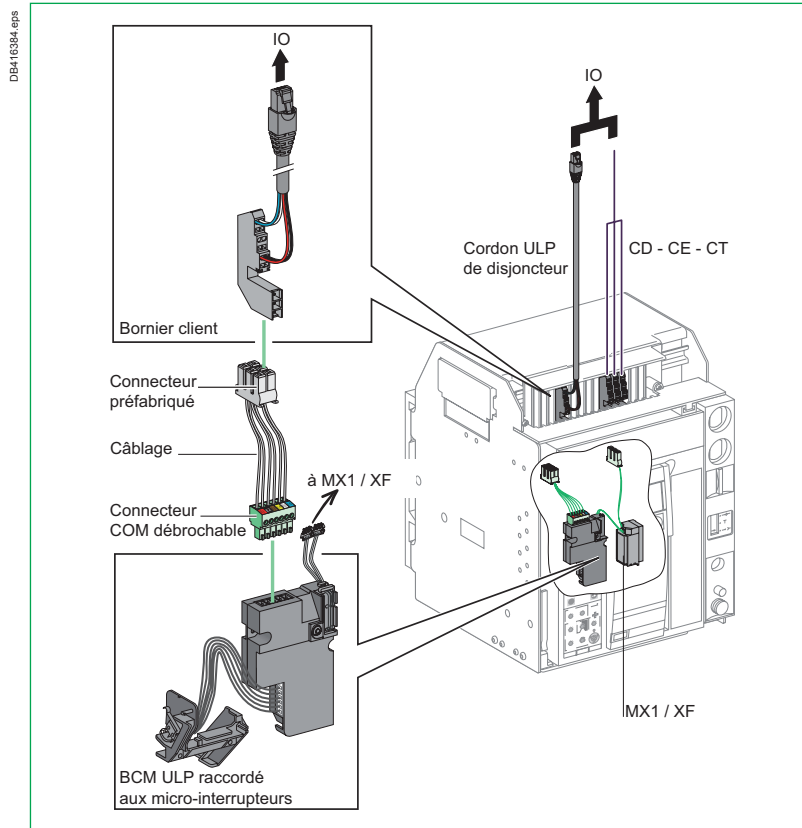
# Compact NS ou PowerPact à châssis P et Masterpact NT/NW débrochables

## Câblage du cordon ULP de disjoncteur

### Raccordement du module BCM ULP au bornier client

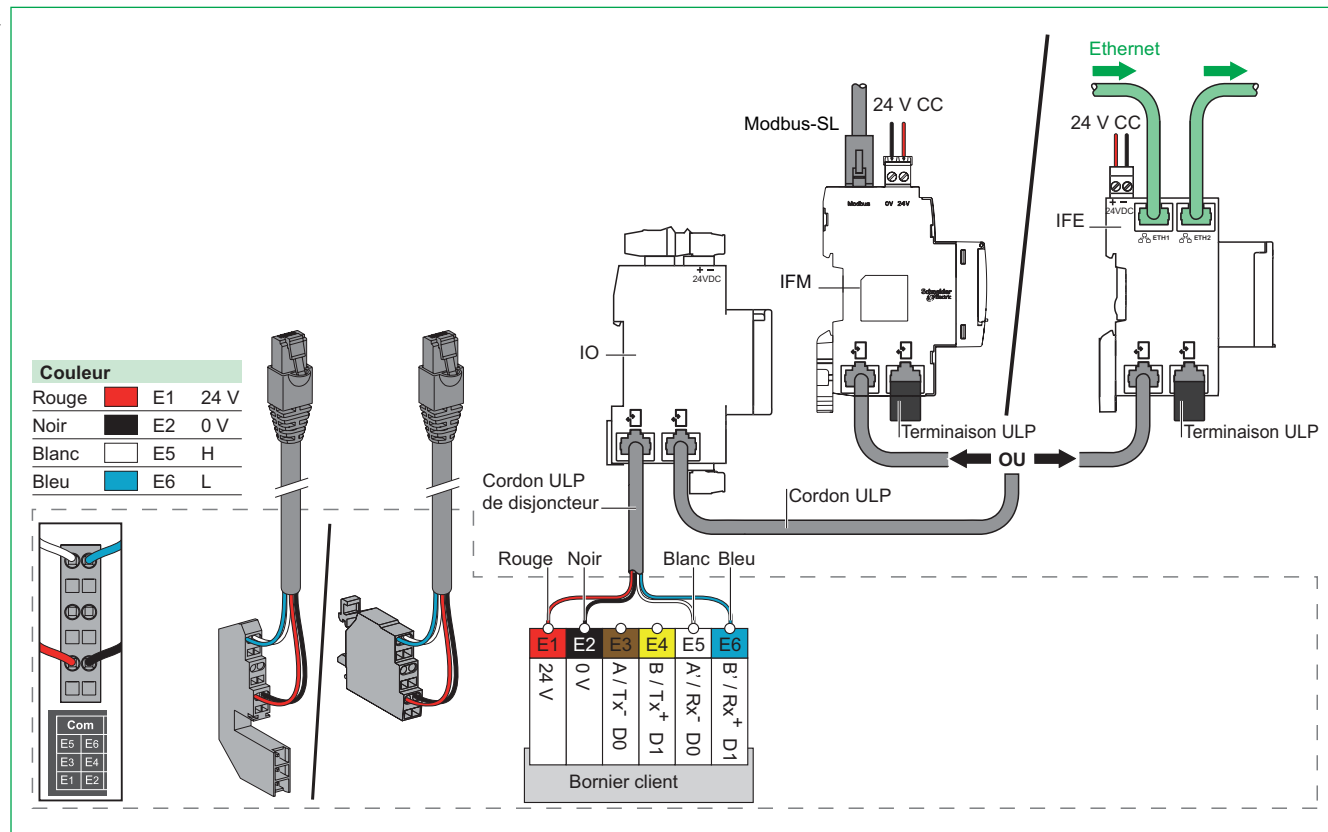
Fourni avec l'appareil, le module BCM ULP est installé derrière le déclencheur Micrologic et il est raccordé aux micro-interrupteurs.

Le module BCM ULP comporte un connecteur de COM débroachable, relié au bornier client fixe (bornes à ressort) par une filerie préfabriquée adapté à l'appareil. Le bornier client permet le raccordement au système ULP à l'aide du cordon ULP de disjoncteur.



## Compact NS ou PowerPact à châssis P et Masterpact NT/NW débrochables (suite) Raccordement au module IO

DS410305.eps





# Compact NS ou PowerPact à châssis P et Masterpact NT/NW débrochables (suite)

## Câblage des contacts de la position de châssis sur le module IO

### Raccordement aux contacts de la position de châssis

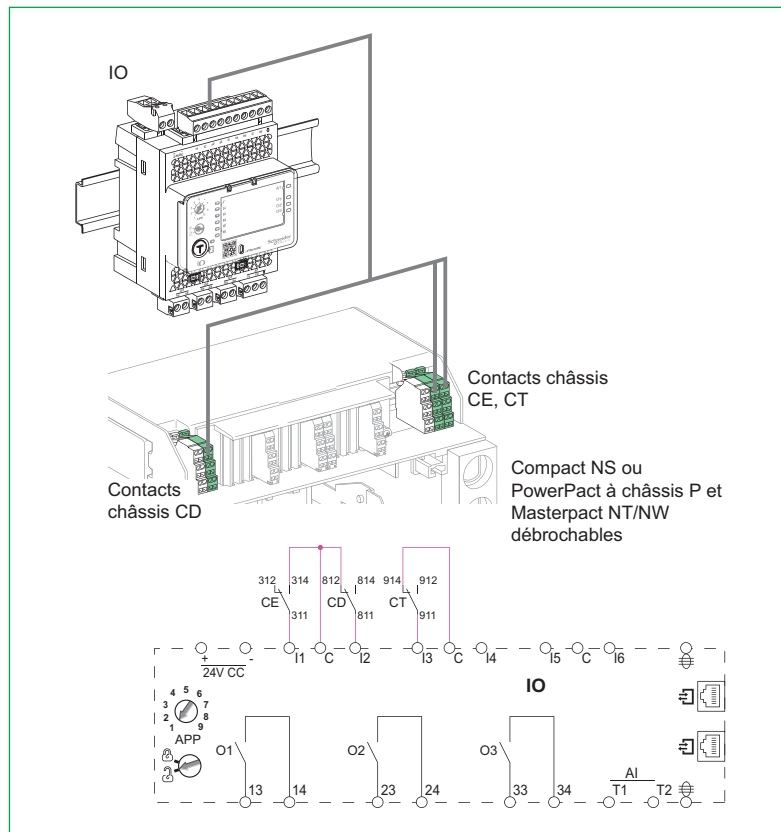
Il s'agit des contacts inverseurs.

- CE : indication de position embrochée
- CD : indication de position débrochée
- CT, indication de position test

Les raccordements sont à faire entre les bornes suivantes :

- CE, bornes 311 et 314
- CD, bornes 811 et 812
- CT, bornes 911 et 914

DE416386.eps



## Aide au dépannage

<b>Le déclencheur Micrologic n'affiche pas de paramètres de communication (adresse, vitesse de transmission, parité)</b>	
<b>Cause possible</b>	<b>Action/solution</b>
Alimentation 24 V CC externe absente.	Contrôler l'alimentation 24 V CC.
Polarités inversées aux bornes E1 et E2.	Contrôler que la polarité positive (+) est sur E1 et que la polarité négative (-) est sur E2.
<b>Le déclencheur Micrologic P ou H n'affiche pas le paramètre de raccordement de la communication Modbus : 4 fils/2 fils + ULP</b>	
<b>Cause possible</b>	<b>Action/solution</b>
La version BCM est ancienne : la version du firmware doit être > V3.0.0. Contrôler le registre Modbus 577 ou la couleur du bornier de raccordement situé sur la partie fixe du BCM (gris et non pas vert).	Remplacer le BCM existant par un BCM ULP neuf.
La version du déclencheur Micrologic (P/H) est ancienne : la version du firmware doit être > 2009AJ.	Utiliser l'outil de paramétrage pour mettre à niveau le firmware du déclencheur Micrologic.
<b>L'afficheur FDM121 pour un disjoncteur clignote et/ou affiche des valeurs erronées</b>	
<b>Cause possible</b>	<b>Action/solution</b>
La version du FDM121 est ancienne : la version du firmware doit être > V2.0.2. La version du firmware est inscrite dans le menu Service de l'afficheur FDM121.	Utiliser l'outil de paramétrage pour mettre à niveau le firmware de l'afficheur FDM121.
<b>Réactions incohérentes suite à une demande Modbus (dépassement du temps imparti ou absence de réponse)</b>	
<b>Cause possible</b>	<b>Action/solution</b>
Raccordements incorrects	Contrôler le câblage du module BCM ULP.
Configuration (paramètre 4 fils/2 fils + ULP) non cohérente avec le câblage du module BCM ULP	S'assurer que les borniers E5 et E6 ne sont pas raccordés au réseau de liaison série Modbus.
<b>Les écrans LCD du déclencheur Micrologic et/ou de l'afficheur FDM121 clignotent</b>	
<b>Cause possible</b>	<b>Action/solution</b>
2 modules ULP du même type sont raccordés au même système ULP. Par exemple, 2 disjoncteurs (1 Compact NSX et 1 Masterpact NW)	Retirer l'un des modules ULP dupliqués. Par exemple, débrancher le disjoncteur Compact NSX du système ULP.

<b>1</b>	<b>Instrucciones de seguridad.....</b>	<b>36</b>
<b>2</b>	<b>Presentación general de la opción COM.....</b>	<b>38</b>
	Arquitectura de comunicación.....	40
	Descripción del BCM ULP.....	41
<b>3</b>	<b>Instalación de los módulos de comunicación</b>	
	<b>Precauciones antes de realizar cualquier tipo de intervención .....</b>	<b>42</b>
	<b>Compact NS o PowerPact P- y R- Frame fijos con mando manual .....</b>	<b>43</b>
	Cableado del cable ULP del interruptor automático en el BCM ULP .....	43
	Conexión a las interfaces de comunicación .....	44
	<b>Compact NS, PowerPact P- Frame o Masterpact NT/NW fijos con mando eléctrico.....</b>	<b>45</b>
	Cableado del cable ULP del interruptor automático .....	45
	Conexión a las interfaces de comunicación .....	46
	<b>Compact NS o PowerPact P- Frame desconectables y Masterpact NT/NW seccionable.....</b>	<b>47</b>
	Cableado del cable ULP del interruptor automático.....	47
	Conexión al módulo de IO .....	48
	Cableado de los contactos inversores en el módulo de IO .....	49
<b>4</b>	<b>Asistencia para la resolución de problemas .....</b>	<b>50</b>

## Instrucciones de seguridad

### Información importante

#### TENGA EN CUENTA

La instalación, operación, servicio y mantenimiento de los equipos eléctricos solo deberán ser realizados por personal cualificado.

Schneider Electric no asume ninguna responsabilidad ante las consecuencias producidas por el uso de este material.

Una persona cualificada es aquella que tiene las habilidades y conocimientos relacionados con la construcción, operación e instalación de equipos eléctricos y que ha recibido una formación de seguridad para reconocer y evitar los riesgos implicados.

#### Documentos relacionados

Para obtener instrucciones adicionales, consulte:

- las publicaciones técnicas correspondientes acerca de los interruptores automáticos
- DOCA0054EN, Guía de comunicaciones de Masterpact NT/NW y Compact NS Modbus
- 06131B1313 Guía de comunicaciones de Masterpact NT/NW, PowerPact P- y R-Frame Modbus
- S1A73172, instrucciones de servicio del cable ULP del interruptor automático
- NVE85393, instrucciones de servicio del IFM
- QGH13473, instrucciones de servicio del IFE
- HRB49217, instrucciones de servicio del módulo de IO

Puede descargar estas publicaciones técnicas y más información técnica desde nuestra página web, en: [www.schneider-electric.com](http://www.schneider-electric.com).

Lea estas instrucciones atentamente e inspeccione el

#### Categorías de riesgos y símbolos especiales

dispositivo para familiarizarse con el dispositivo antes de intentar instalarlo, utilizarlo o realizar tareas de mantenimiento. Los siguientes mensajes especiales pueden aparecer a lo largo de esta documentación o en el equipo como aviso ante posibles riesgos o para dirigir su atención a información que aclare o simplifique un procedimiento.



La presencia de este símbolo juntamente con una advertencia de peligro indica que existen riesgos eléctricos. En caso de no seguirse las instrucciones, se producirán lesiones personales.



Este es el símbolo de alerta de seguridad. Se utiliza para alertarle ante posibles riesgos de lesiones personales. Obedezca todos los mensajes de seguridad que sigan este símbolo para evitar posibles lesiones o incluso la muerte.

#### PELIGRO

**PELIGRO** indica una situación de peligro que, si no se evita, **provocará** lesiones graves o incluso la muerte.

#### ADVERTENCIA

**ADVERTENCIA** indica una situación de peligro que, si no se evita, **podría provocar** lesiones graves o incluso la muerte.

#### ATENCIÓN

**ATENCIÓN** indica una situación peligrosa que, si no se evita, **podría provocar** lesiones leves o moderadas.

#### AVISO

**AVISO** indica una situación potencialmente peligrosa que, si no se evita, **puede provocar** daños en el equipo.

# Instrucciones de seguridad

## Antes de empezar

### PELIGRO

#### PELIGRO DE DESCARGA ELÉCTRICA, EXPLOSIÓN O DESTELLO POR ARQUEO

- Utilice equipo de protección personal (EPP) apropiado y siga las prácticas de seguridad eléctricas establecidas. Consulte las normas NFPA 70E, CSA Z462, NOM-029-STPS u otros códigos locales correspondientes.
- Solamente el personal eléctrico calificado deberá instalar y prestar servicio de mantenimiento a este equipo.
- Desconecte todas las fuentes de alimentación del equipo antes de realizar cualquier trabajo en él.
- Siempre utilice un dispositivo detector de tensión nominal adecuado para confirmar la desenergización del equipo.
- Vuelva a colocar todos los dispositivos, las puertas y las cubiertas antes de volver a energizar el equipo.
- Tenga cuidado con los riesgos potenciales, e inspeccione cuidadosamente la zona de trabajo para comprobar si han quedado herramientas y objetos dentro del equipo.

**El incumplimiento de estas instrucciones provocará lesiones graves o incluso la muerte.**

### ADVERTENCIA

#### PÉRDIDA DE CONTROL

- Al diseñar cualquier esquema de control deben tenerse en cuenta los modos de fallo potenciales de las rutas de control y, para ciertas funciones de control críticas, debe ofrecerse un modo de obtener un estado de seguridad durante y después de un fallo de ruta. Algunos ejemplos de funciones de control críticas serían una parada de emergencia y parada por sobrecarrera.
- Deben ofrecerse rutas separadas o redundantes para las funciones de control críticas.
- Las rutas de control del sistema pueden incluir conexiones de comunicación. También deben tenerse en cuenta las implicaciones de fallos o retrasos de transmisión de la conexión inesperados.<sup>(1)</sup>
- Cada implementación de un interruptor automático equipado con un BCM ULP debe ser probada de forma individual y en profundidad para comprobar un correcto funcionamiento antes de ponerlos en funcionamiento.

**El incumplimiento de estas instrucciones puede causar la muerte, lesiones serias o daño al equipo.**

<sup>(1)</sup> Mercados NEMA: Para obtener más información, consulte el documento NEMA ICS 1.1 (última edición) "Safety Guidelines for the Application, Installation, and Maintenance of Solid State Control" ("Instrucciones de seguridad para la aplicación, instalación y mantenimiento del control de estado sólido").

## Presentación general de la opción COM

### Definición de la opción COM

La opción COM permite conectar un interruptor automático a una red de comunicación Modbus-SL o Ethernet. La opción Modbus-SL COM incluye:

- el módulo de comunicación con el interruptor automático BCM ULP instalado en el dispositivo
- el cable ULP del interruptor automático
- la interfaz IFM Modbus-SL para un interruptor automático

La opción Ethernet COM incluye:

- el módulo de comunicación con el interruptor automático BCM ULP instalado dentro del interruptor automático
- el cable ULP del interruptor automático
- la interfaz Ethernet IFE para un interruptor automático

**Nota:** La interfaz de entrada/salida IO para un interruptor automático se entrega con los equipos desconectables con la opción COM, para la gestión de zócalo.

La opción COM está disponible en los interruptores automáticos de los siguientes rangos:

- Compact NS630b a 3200
- PowerPact P- y R-Frame
- Masterpact NT y NW

Con la opción COM, los dispositivos pueden estar integrados en un sistema de supervisión mediante la implementación del protocolo Modbus.

Juntamente con las unidades de control Micrologic, la opción COM se usa para:

- analizar los parámetros de distribución-sistema para la realización de operaciones y mantenimiento
- controlar el dispositivo
- indicar las condiciones del estado
- identificar las causas de los defectos
- establecer funciones de protección
- identificar el dispositivo

**Nota:** Para asegurar que los ajustes de protección de la red de comunicación (o el teclado de la unidad de control) no superan los niveles de las protecciones del sistema de alimentación requerido, ajuste los reguladores de la unidad de control para obtener la protección necesaria antes de realizar ajustes usando la red de comunicación (o el teclado de la unidad de control). Consulte las instrucciones de la unidad de control para obtener información adicional sobre los ajustes de las protecciones.

### Configuración de la opción COM

Solo es necesario configurar el IFM o el IFE. No es necesario configurar el BCM ULP con la unidad de control Micrologic. El parámetro de comunicación 4W/2W+ULP del BCM ULP tiene el ajuste de fábrica 2W+ULP.

### Legado de Modbus

La opción COM permite conectar un interruptor automático a una red de comunicación Modbus-SL a través del puerto de legado Modbus del BCM ULP.

Para ello:

- no conecte el IFM al BCM ULP
- no conecte el módulo de IO al BCM ULP
- para los interruptores automáticos seccionables que precisen una gestión de cassette, conecte el CCM (módulo de comunicación del cassette)
- establezca el parámetro de comunicación 4W/ 2W+ULP del BCM ULP a 4W
- consulte las Instrucciones de servicio 5100512864A para la instalación

### Definición de las abreviaturas

- BCM ULP = módulo de comunicación con el interruptor automático compatible con el sistema ULP (Universal Logic Plug)
- IFM = Interfaz Modbus-SL para un interruptor automático
- IFE = Interfaz Ethernet para un interruptor automático
- IO = Módulo de aplicación de entrada/salida para un interruptor automático

### Acerca de este manual

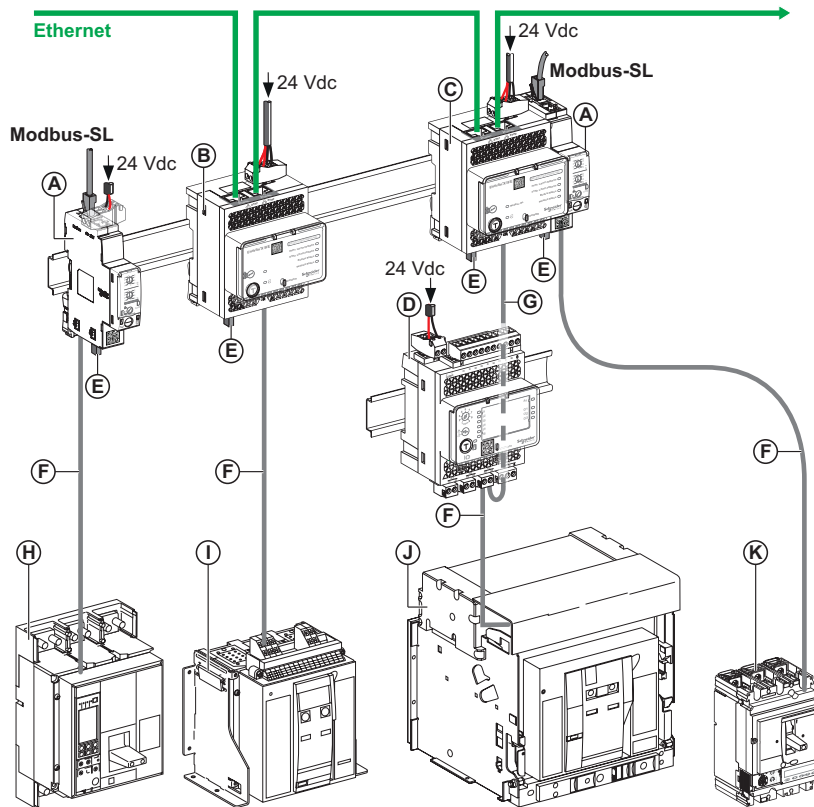
Este manual de instalación se entrega con dispositivos solicitados con la opción Modbus-SL o Ethernet COM.

Describe cómo conectar el BCM ULP al IFM o IFE mediante el cable ULP del interruptor para las diversas configuraciones del interruptor automático:

- Compact NS o PowerPact P- y R- Frame fijos con mando manual.
- Compact NS, PowerPact P- Frame o Masterpact NT/NW fijos con mando eléctrico.
- Compact NS o PowerPact P- Frame desconectables y Masterpact NT/NW seccionable

# Presentación general de la opción COM (cont.)

DB410848.eps



- A IFM (LV434000)
- B IFE (LV434001)
- C Servidor IFE (LV434002)
- D IO (LV434063)
- E Terminación ULP (TRV00880)
- F Cable ULP del interruptor automático
- G Cable ULP
- H Compact NS o PowerPact P- y R- Frame fijos con mando manual
- I Masterpact NT/NW fijo con mando eléctrico
- J Masterpact NT/NW seccionable
- K Compact NSX o PowerPact H-, J- y L-Frame

## Presentación general de la opción COM (cont.)

### Arquitectura de comunicación

#### BCM ULP

El BCM ULP (suministrado con el dispositivo) está instalado tras la unidad de control Micrologic y está conectado a los microconmutadores:

- para dispositivos con mando manual:
  - contactos OF, SDE y/o SD
- para dispositivos con mando eléctrico:
  - contactos OF, SDE, PF y CH
  - kit de conexión con las bobinas de disparo MX1 y XF comunicantes.

El BCM ULP es independiente de la unidad de control. Se comunica de forma bidireccional con:

- el sistema ULP a través del cable ULP del interruptor automático
- la unidad de control Micrologic a través de una conexión infrarroja

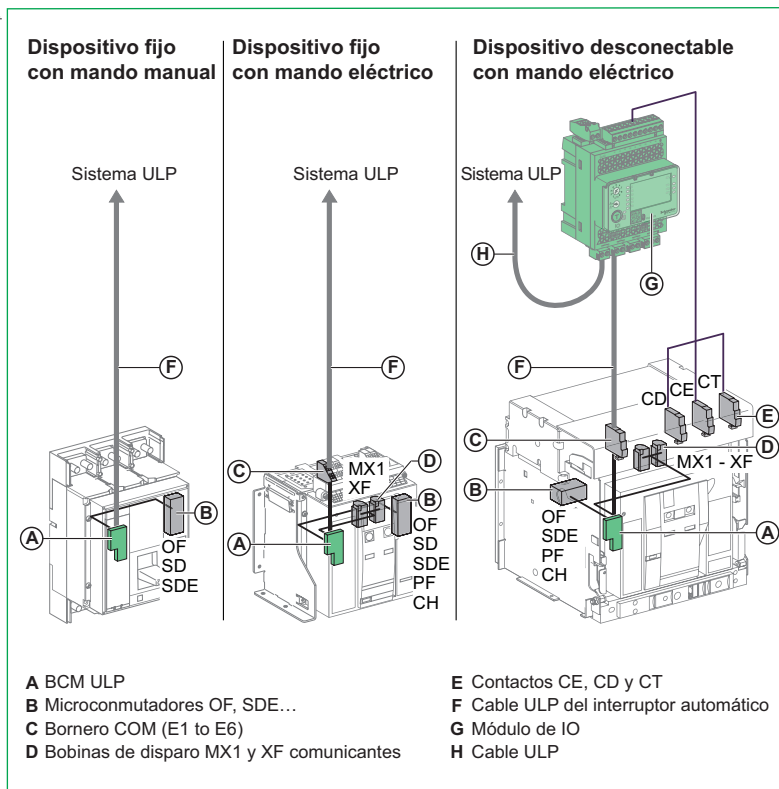
#### El módulo de IO

El módulo de IO se entrega con los dispositivos desconectables solicitados con la opción COM, para la gestión del cassette.

Debe estar instalado en un carril DIN próximo al dispositivo. Debe estar conectado:

- al sistema ULP
- a los contactos de posición (CD, CT y CE) que transmiten la posición del dispositivo en el cassette

DB416849.eps





# Presentación general de la opción COM (cont.)

## Descripción del BCM ULP

La opción COM incluye sistemáticamente un módulo de comunicación con el interruptor automático BCM ULP (véase page 40). El BCM ULP es independiente de la unidad de control. Envía y recibe información de:

- el sistema ULP
- la unidad de control a través de una conexión infrarroja
- el interruptor automático, mediante microconmutadores
- bobinas de disparo MX1 y XF comunicantes.

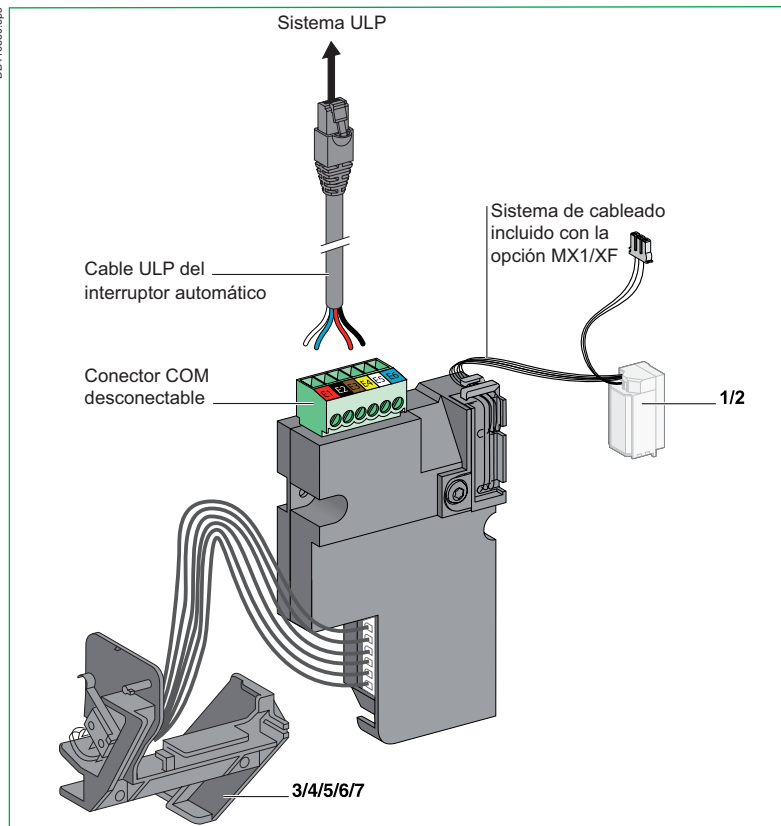
El BCM ULP está formado por las piezas mostradas en la figura derecha, que se incluyen instaladas en el dispositivo y conectadas al BCM ULP.

Piezas incluidas instaladas en el dispositivo y conectadas al BCM ULP	Compact NS, PowerPact P- y R- Frame fijos con mando manual	Compact NS, PowerPact P- Frame <sup>(1)</sup> o Masterpact fijos con mando eléctrico Masterpact NT/NW fijo y seccionable
<b>Bobinas de disparo</b>		
Bobinas de disparo MX1 comunicantes usadas para abrir el dispositivo		□
Bobinas de disparo XF comunicantes usadas para cerrar el dispositivo		□
<b>Contactos auxiliares</b>		
OF (ON/OFF)	■	■
SD (señalización de disparo)	■	
SDE (señalización de disparo de defecto)	■	■
PF (preparado para cerrarse)		■
CH (resortes cargados)		■

- estándar      □ opcional

**(1)** Con mecanismo de carga de muelles.

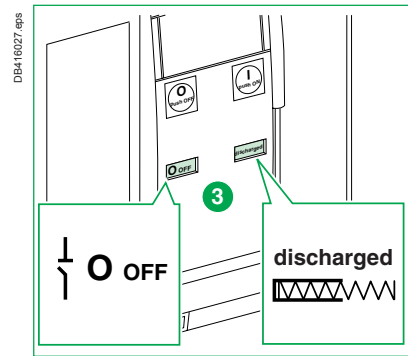
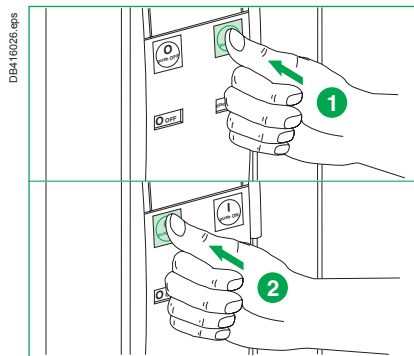
DB416850.eps



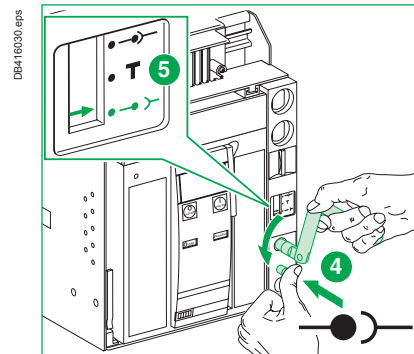
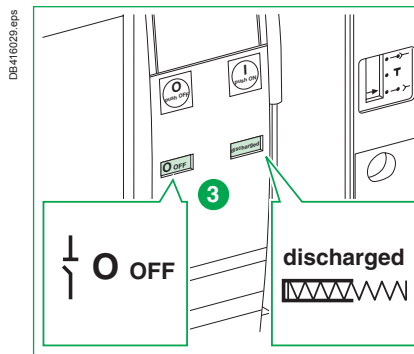
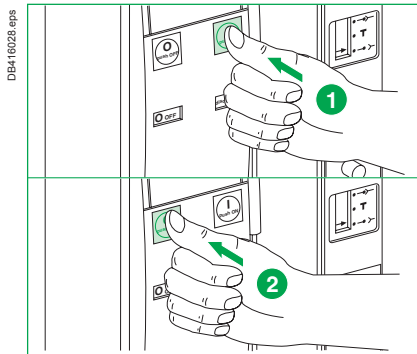
## Precauciones antes de realizar cualquier tipo de intervención

Antes de realizar cualquier tipo de intervención, descargue siempre la tensión del dispositivo, como se indica aquí. Los dispositivos desconectables deben colocarse en posición desconectada.

### Dispositivo fijo



### Dispositivo desconectable



# Compact NS o PowerPact P- y R- Frame fijos con mando manual

## Cableado del cable ULP del interruptor automático en el BCM ULP

### Precaución: enrutación de los hilos

Coloque los hilos de modo que se evite cualquier riesgo de aplastamiento o pinzamiento del cable o de los hilos cuando se coloque la cubierta frontal (véase ilustración).

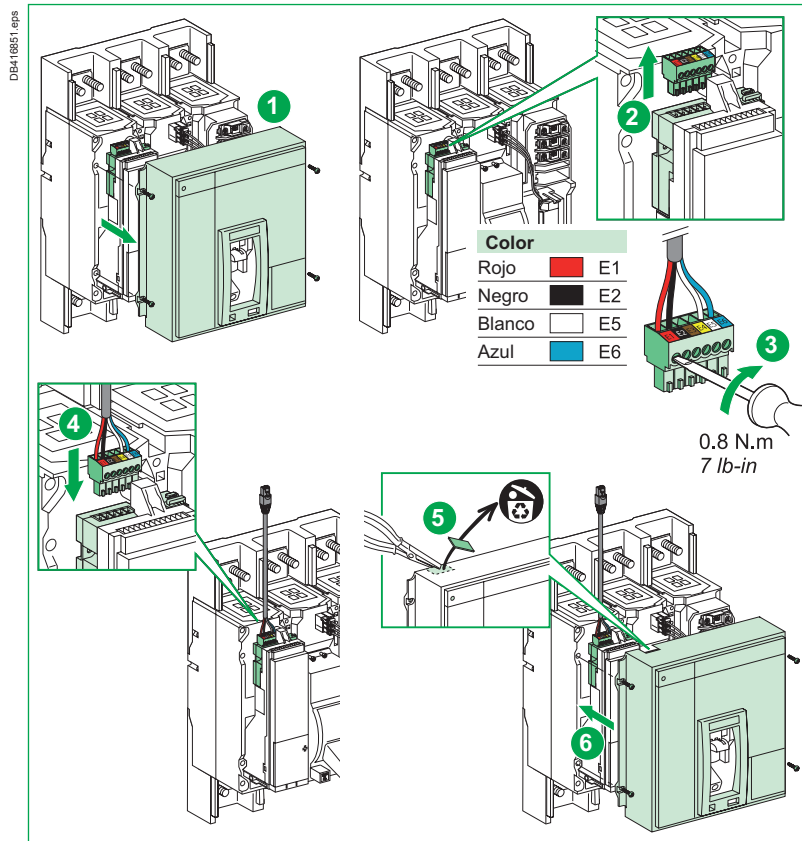


**PELIGRO**

**PELIGRO DE DESCARGA ELÉCTRICA,  
EXPLOSIÓN O DESTELLO POR ARQUEO**

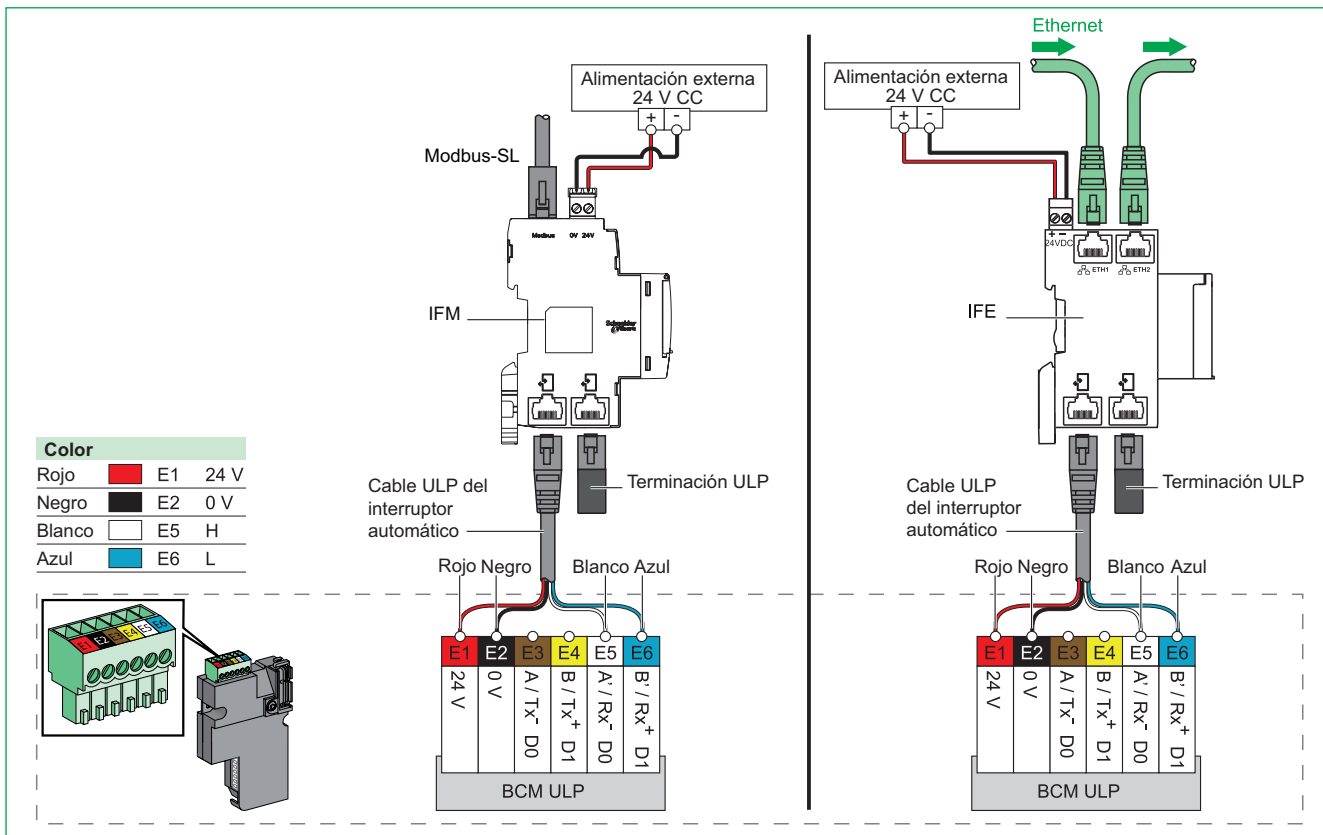
Sustituya la cubierta accesoria del interruptor automático antes de alimentar el interruptor automático para evitar el acceso a bornes vivos.

**El incumplimiento de estas instrucciones  
provocará lesiones graves o incluso la muerte.**



## Compact NS o PowerPact P- y R- Frame fijos con mando manual (cont.) Conexión al módulo de interfaz

DS416852.eps



## Compact NS, PowerPact P- Frame o Masterpact NT/NW fijos con mando eléctrico

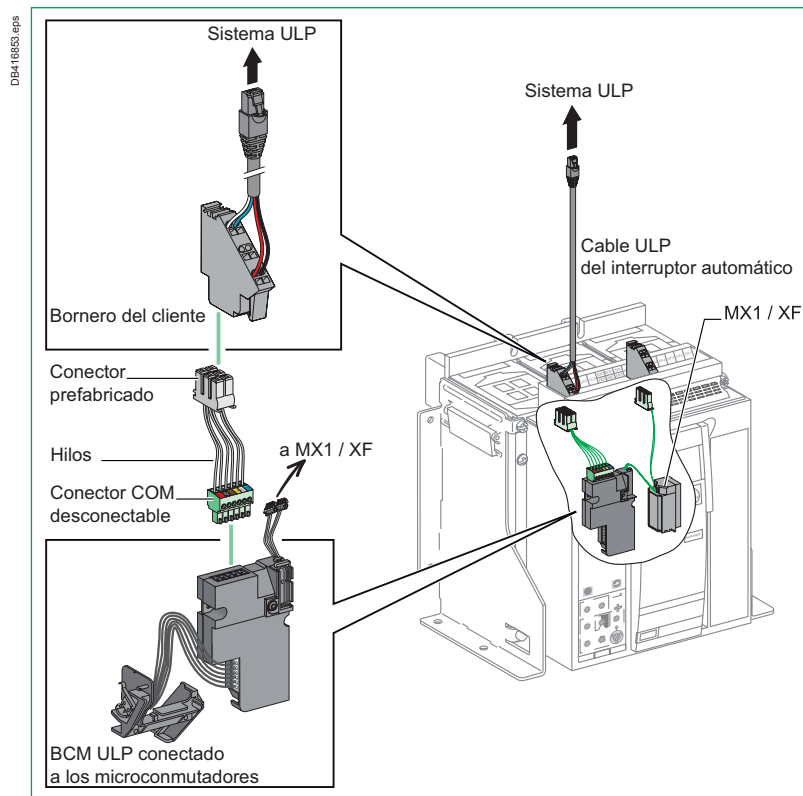
### Cableado del cable ULP del interruptor automático

#### Conexión BCM ULP al bornero del cliente

El BCM ULP (suministrado con el dispositivo) está montado tras la unidad de control Micrologic y está conectado a los microconmutadores.

El BCM ULP está equipado con un conector COM desconectable que conecta el bornero fijo del cliente (bornes de conexión por resorte) mediante un cableado prefabricado.

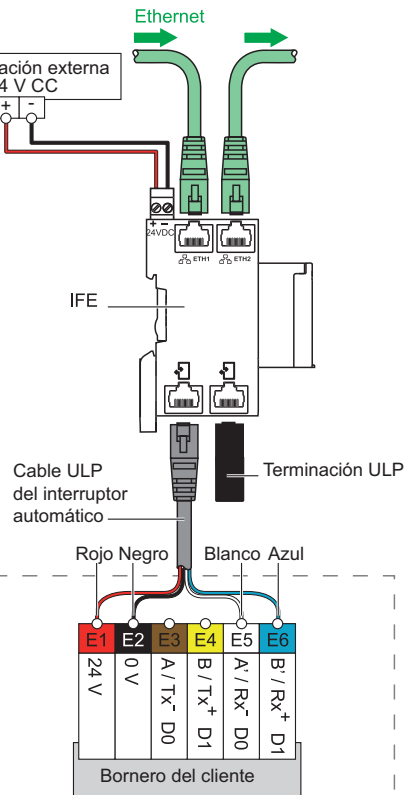
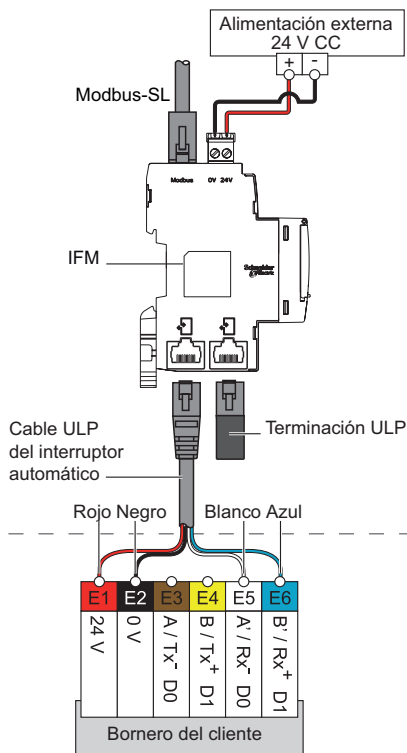
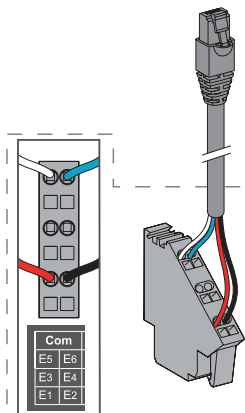
El bornero del cliente se usa para conexiones al sistema ULP mediante el cable ULP del interruptor automático.



## Compact NS, PowerPact P- Frame o Masterpact NT/NW fijos con mando eléctrico (cont.) Conexión al módulo de interfaz

DB418554.eps

Color	
Rojo	E1 24 V
Negro	E2 0 V
Blanco	E5 H
Azul	E6 L



# Compact NS o PowerPact P- Frame desconectables y Masterpact NT/NW seccionable

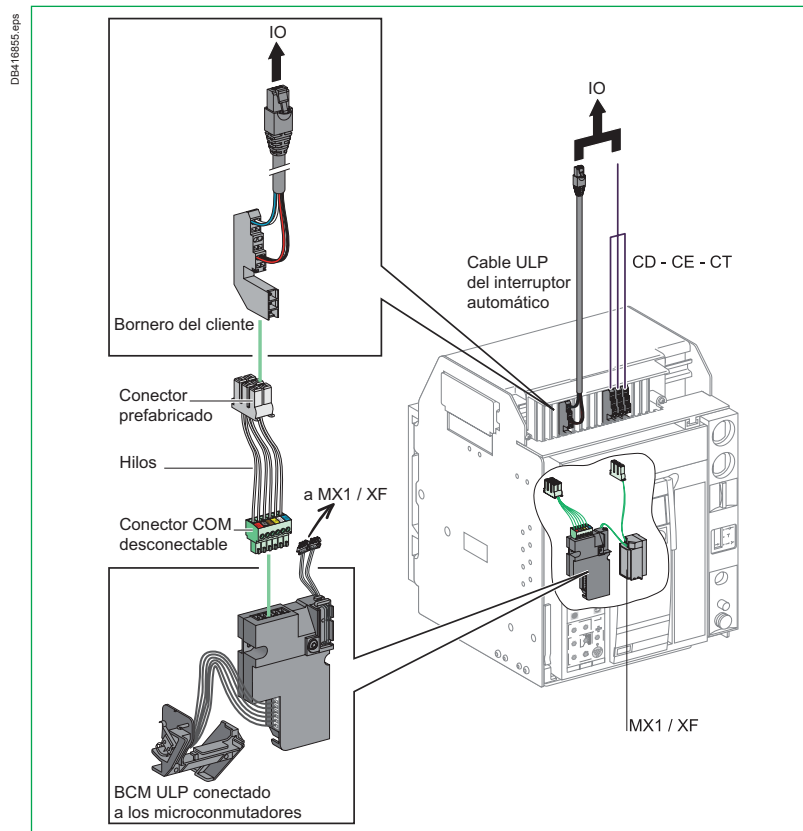
## Cableado del cable ULP del interruptor automático

### Conexión BCM ULP al bornero del cliente

El BCM ULP (suministrado con el dispositivo) está instalado tras la unidad de control Micrologic y está conectado a los microconmutadores.

El BCM ULP está equipado con un conector COM desconectable que se conecta con el bornero fijo del cliente (bornes de conexión por resorte) mediante un cableado prefabricado.

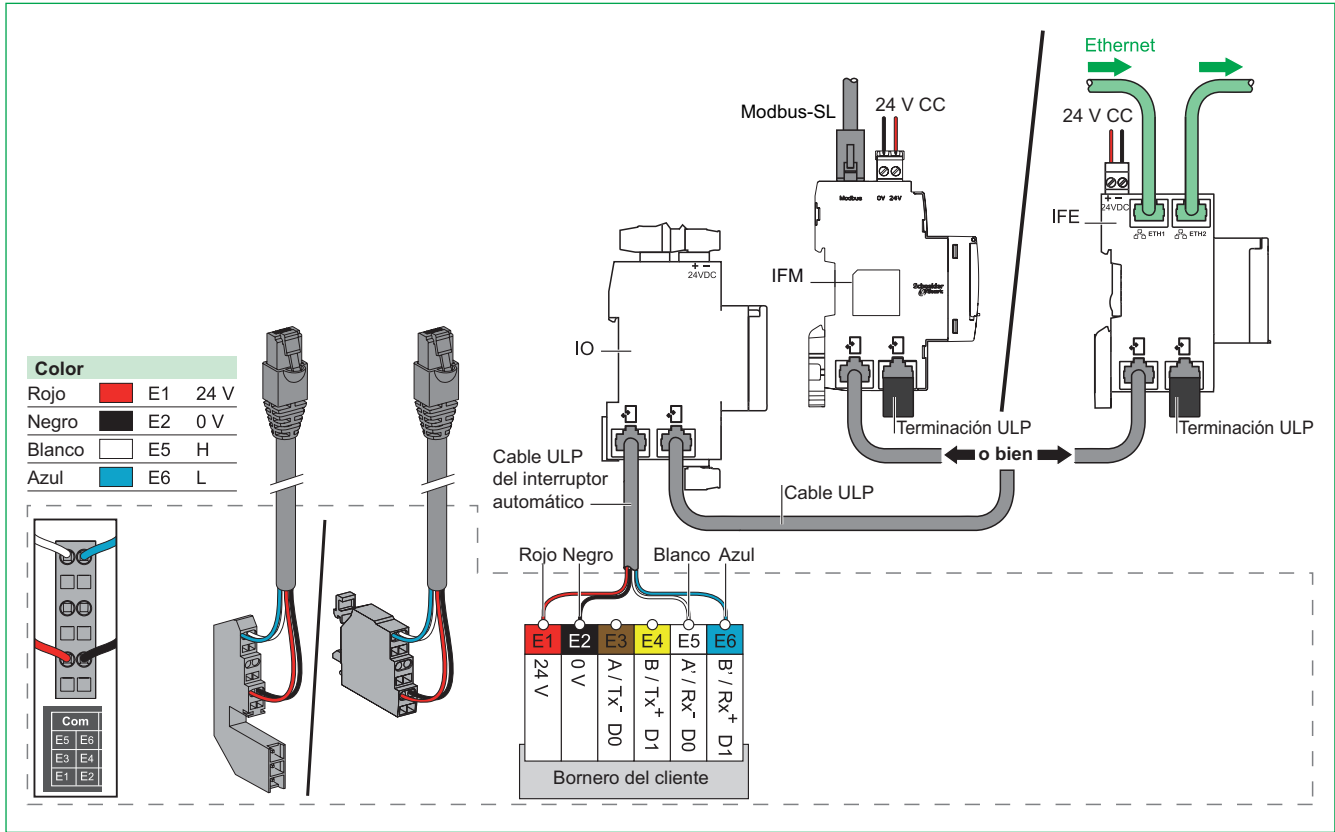
El bornero del cliente se usa para conexiones al sistema ULP mediante el cable ULP del interruptor automático.



# Compact NS o PowerPact P- Frame desconectables y Masterpact NT/NW seccionable (cont.)

## Conexión al módulo de IO

DS410856.eps





# Compact NS o PowerPact P- Frame desconectables y Masterpact NT/NW seccionable (cont.)

## Cableado de los contactos de posición del cassette con el módulo de IO

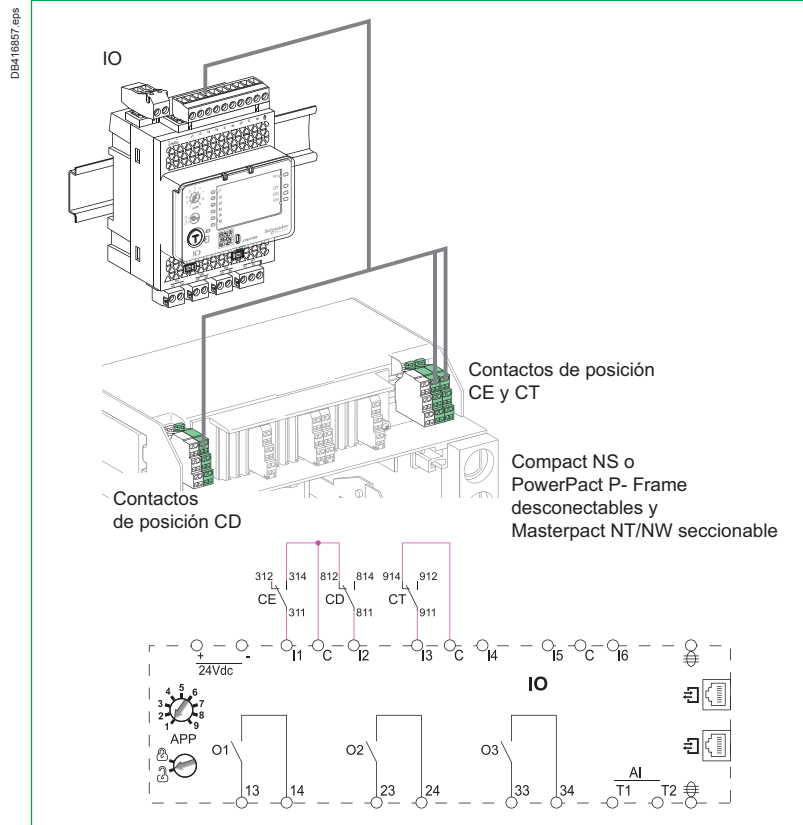
### Conexión con los contactos de posición del cassette

Estos contactos son contactos inversores.

- CE, que indica la posición conectada
- CD, que indica la posición desconectada
- CT, que indica la posición de test

Las conexiones se realizan en los siguientes terminales:

- CE, terminales 311 y 314
- CD, terminales 811 y 812
- CT, terminales 911 y 914



## Asistencia para la resolución de problemas

<b>La unidad de control Micrologic no muestra los parámetros de comunicación (dirección, velocidad de transmisión en baudios, paridad)</b>	
<b>Causa posible</b>	<b>Acción/solución</b>
Falta la alimentación externa de 24 V CC.	Compruebe la alimentación externa de 24 V CC.
Se han revertido las polaridades en los terminales E1 y E2.	Compruebe que + esté en E1 y - esté en E2.
<b>La unidad de control Micrologic P o H no muestra el parámetro de conexión Modbus: 4 hilos / 2 hilos + ULP</b>	
<b>Causa posible</b>	<b>Acción/solución</b>
El BCM es una versión antigua: la versión del firmware debe ser superior a V3.0.0. Compruebe el registro Modbus 577 o compruebe el color del bornero que hay en la parte fija del BCM (debería ser gris en vez de verde).	Sustituya el BCM existente con un BCM ULP nuevo.
La unidad de control Micrologic (P/H) es una versión antigua: la versión del firmware debe ser superior a 2009AJ.	Use la herramienta de ingeniería del cliente para actualizar el firmware de la unidad de control Micrologic.
<b>La pantalla FDM121 para un interruptor automático parpadea o muestra valores erróneos</b>	
<b>Causa posible</b>	<b>Acción/solución</b>
El FDM121 es una versión antigua: la versión del firmware debe ser superior a V2.0.2. La versión de firmware es legible en el menú de servicio del FDM121.	Use la herramienta de ingeniería del cliente para actualizar el firmware del FDM121.
<b>Respuestas erráticas ante solicitudes Modbus (se agota el tiempo de respuesta o no hay respuesta)</b>	
<b>Causa posible</b>	<b>Acción/solución</b>
Conexiones erróneas.	Compruebe el cableado del BCM ULP.
La configuración (4 hilos/2 hilos + parámetro ULP) no se corresponde con el cableado del BCM ULP.	Asegúrese de que los borneros E5 y E6 no están conectados a la red Modbus-SL.
<b>La unidad de control Micrologic y/o el visualizador LCD de FDM121 parpadean.</b>	
<b>Causa posible</b>	<b>Acción/solución</b>
Hay 2 módulos ULP del mismo tipo conectados en el mismo sistema ULP. Por ejemplo, 2 interruptores automáticos (1 Compact NSX y 1 Masterpact NW).	Elimine uno de los módulos ULP duplicados. Por ejemplo, desconecte el Compact NSX del sistema ULP.

# Notas

---

---

**Schneider Electric Industries SAS**

35, rue Joseph Monier  
CS 30323  
92506 Rueil Malmaison Cedex  
France

[www.schneider-electric.com](http://www.schneider-electric.com)



*Printed on recycled paper*

Designed by: Schneider Electric  
Printed by: