


73000000	<b>DATA SHEET</b>	
Valid from: 18.09.2020	<b>EPIC® POWER LS1 D6 3+PE+4</b>	

## Description

- Circular connectors for servomotors and power supply
- High power at smallest installation space
- Optimal solution for electric motors
- EMC-optimised design
- Safety use in field environment by high protection class



## General Characteristics


Series	POWER LS 1
Version	Cable connector for female contacts
Pin configuration	3+PE+4
Rated voltage (V)	630 V (2mm Contacts) 250 V (1mm Contacts)
Rated impulse voltage	6 kV (2mm Contacts) 4 kV (1mm Contacts)
Rated current (A)	26 A (2mm Contacts) 7 A (1mm Contacts)
Contact resistance	< 4 mOhm
Contacts	Gold plated brass
Number of contacts	3+PE+4
Termination methods	Crimp termination: 0.5 – 2.5 mm <sup>2</sup> (2 mm contacts) Crimp termination: 4.0 mm <sup>2</sup> (2 mm contacts for 4442089) Crimp termination: 0.14 - 1.0 mm <sup>2</sup> (1 mm contacts)
Protection	IP 68 (latched)
Cycle of mechanical operation	500
Temperature range	-25°C to +125°C
Degree of soiling	3

## Product Variations

Package unit = 20 pcs: Contacts must be ordered separately

Article- Number	Article	Contacts included	Cable clamping range mm	Pin configuration
Type LS1 D6, Cable connector, 8-pin for female contacts				
73000000	LS1 D6	8	8,5 - 11	3+PE+4
73000002	LS1 D6		8,5 - 11	3+PE+4
73000001	LS1 D6	8	10,5 - 15,5	3+PE+4
73000003	LS1 D6		10,5 - 15,5	3+PE+4
76124000	LS1 D6	8	7,5 - 15,5	3+PE+4
76124510	LS1 D6		7,5 - 15,5	3+PE+4
44420089	LS1 D6 mit 2 mm contact for 4 mm <sup>2</sup> termination	8	14 - 17	3+PE+4
44420088	LS1 D6		14 - 17	3+PE+4

Creator: STKU3/PDP Released: IVSE1/PDP	Document: DB73000000EN Version: 04	Page 1 of 3
---	---------------------------------------	-------------

73000000	<b>DATA SHEET</b>	
Valid from: 18.09.2020	<b>EPIC® POWER LS1 D6 3+PE+4</b>	

### Materials and Surfaces

Housing	Nickel-plated zinc die-casting, nickel-plated brass
Insert	PA
Seal	FPM
Contact	Brass
Contact surface	Gold plated

### Approvals

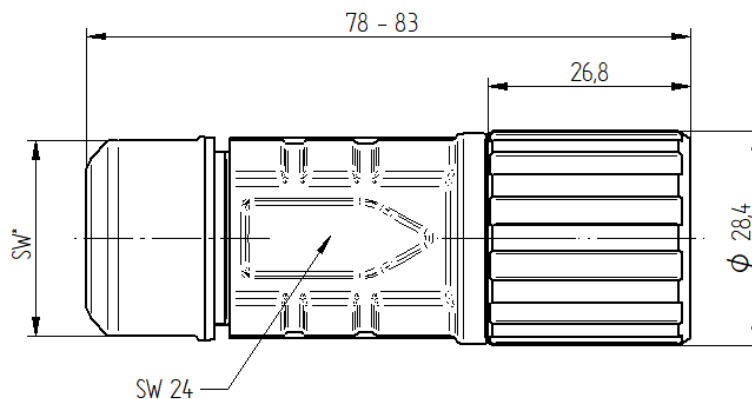
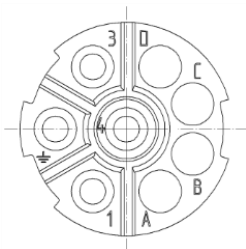
VDE-Approval, VDE-REG.-Nr.	B025
UL-File-Number	E249137;

### Standard

Safety Standard IEC 61984; UL 2238; CSA 22.2 182.3



### Technical Drawing



Article No.	* Wrench Size
73000000	26
73000002	26
73000001	26
73000003	26
76124000	27
76124510	27
44420089	27
44420088	27



Good chemical resistance




Corrosion-resistant



Industrial machinery and plant engineering

Creator: STKU3/PDP Released: IVSE1/PDP	Document: DB73000000EN Version: 04	Page 2 of 3
---	---------------------------------------	-------------

73000000	<b>DATA SHEET</b>	
Valid from: 18.09.2020	<b>EPIC® POWER LS1 D6 3+PE+4</b>	



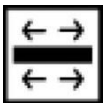
Maximum vibration protection



Mechanical resistance



Assembly time



Optimum strain relief



Space requirement



Robust



Integrated SKINTOP® cable gland



Waterproof



Wind Energy



Variety of approval certifications

#### Application range

Plant engineering

Servo drives and servo assemblies

#### Remark

Photographs are not to scale and do not represent detailed images of the respective products.

Creator: STKU3/PDP Released: IVSE1/PDP	Document: DB73000000EN Version: 04	Page 3 of 3
---	---------------------------------------	-------------