

PRODUCT DATASHEET

SMART+ ORBIS Ultra Slim Backlight Black 235mm RGB + TW

Smart+ Orbis Ceiling | Smart decorative ceiling with main and backlight TW RGB and dimmable

Areas of application

- Indoor applications
- Kitchens, living rooms, children's rooms or home offices



Product benefits

- Easy and quick installation
- Main light and back light
- Both light are independent
- TW and RGB

Product features

- Controllable via LEDVANCE SMART+ App (with minimum Android 8.0 or iOS 14.0)
- Controllable via voice control available: Google Assistant or Amazon Alexa
- Dimmable
- Network protocol: WiFi



TECHNICAL DATA

Electrical data

Nominal wattage	19.00 W
Nominal voltage	220...240 V
Mains frequency	50...60 Hz
Nominal current	70.000 mA
Inrush current	15 A
Inrush current time T_{h50}	300 μ s
Max. number of luminaires per miniature circuit breaker B16	15
Max. number of luminaires per miniature circuit breaker C16	24
Power factor λ	> 0.90
Total harmonic distortion	< 30 %
Protection class	II
Operating mode	Mains voltage

Photometrical data

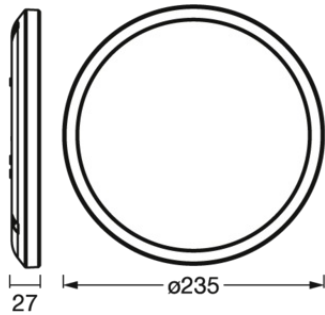
Luminous flux	1070 lm
Total luminous flux of contained light sources	1790 lm
Luminous efficacy	56 lm/W
Color temperature	2700...6500 K
Reference control setting of contained light source (Kelvin)	2700 K ¹⁾
Light color (designation)	Tunable White / RGB
Color rendering index Ra	≥ 80
Standard deviation of color matching	≤ 6 sdc
Flickering metric (Pst LM)	-
Stroboscope effect metric (SVM)	-
Photobiological safety group acc. to EN62778	RG0
Photobiological safety group acc. to EN62471	RG0
Beam angle	110 °
UGR	< 25

¹⁾ Performing a reset will restore the default values set by the manufacturer

Dimensions & Weight

Diameter	235.00 mm
Height	27.00 mm

Product weight	460.00 g
----------------	----------



SMART ORBIS UL SLIM

Materials & Colors

Product color	Black
Housing color	Black
Body material	Plastic
Glow Wire Test according to IEC 60695-2-12	650 °C
Mercury content	0.0 mg

Application & Mounting

Ambient temperature range	-20...+40 °C
Type of connection	Terminal, 2-pin
Type of protection	IP20
Dimmable	Yes
Type of dimming	WiFi
Mounting type	Surface
Application environment	Indoor
With light source	Yes

Lifespan

Lifespan L70/B50 at 25 °C	30000 h
Number of switching cycles	15000

Certificates & Standards

Standards	CE / UKCA
Luminaire with limited surface temperature, "D sign"	No

Ball shot safe	No
Replaceable light source (EPREL)	Not replaceable

Additional product data

Product remark	Reset settings to default by switching the product on for three seconds and off for three seconds and repeating this five times.
----------------	--





EQUIPMENT / ACCESSORIES

- Mounting bracket included
- Mounting screws and dowels included
- Control via app or voice control requires compatible Smart home system
- For control via LEDVANCE SMART+ App, a smartphone or tablet is required (with minimum Android 8.0 or iOS 14.0)

Safety advice

- All electrical connections must be made by a qualified person.
- Caution, risk of electric shock.
- Product in protection class I. All electrically conductive, metallic housing parts that can absorb voltage during operation or during maintenance in the event of a fault must be continuously connected to the protective earthing conductor.
- Check wall-ceiling for suitability. If uncertain, seek professional advice.

DOWNLOAD DATA

	Documents and certificates	Document name
	User instruction / safety instructions	ORBIS ULTRA SLIM BACKLIGHT
	Extended installation guide	SMART+ WIFI INSTALLATION GUIDE
	Declarations of conformity	SMART ORBIS UL SLIM BL RGBTW
	Declarations of conformity UKCA	SMART ORBIS UL SLIM BL

LOGISTICAL DATA

Product code	Packaging unit (Pieces/Unit)	Dimensions (length x width x height)	Gross weight	Volume
4058075752788	Folding box 1	52 mm x 241 mm x 263 mm	547.00 g	3.30 dm ³
4058075752795	Shipping box 5	275 mm x 252 mm x 279 mm	3175.00 g	19.33 dm ³

The mentioned product code describes the smallest quantity unit which can be ordered. One shipping unit can contain one or more single products. When placing an order, for the quantity please enter single or multiples of a shipping unit.

References / Links

– Further information and frequently asked questions (FAQs) at www.ledvance.com/consumer/smart/faq

DISCLAIMER

Subject to change without notice. Errors and omission excepted. Always make sure to use the most recent release.