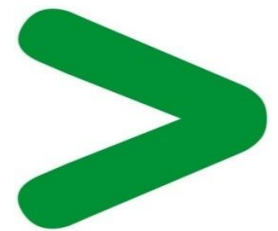
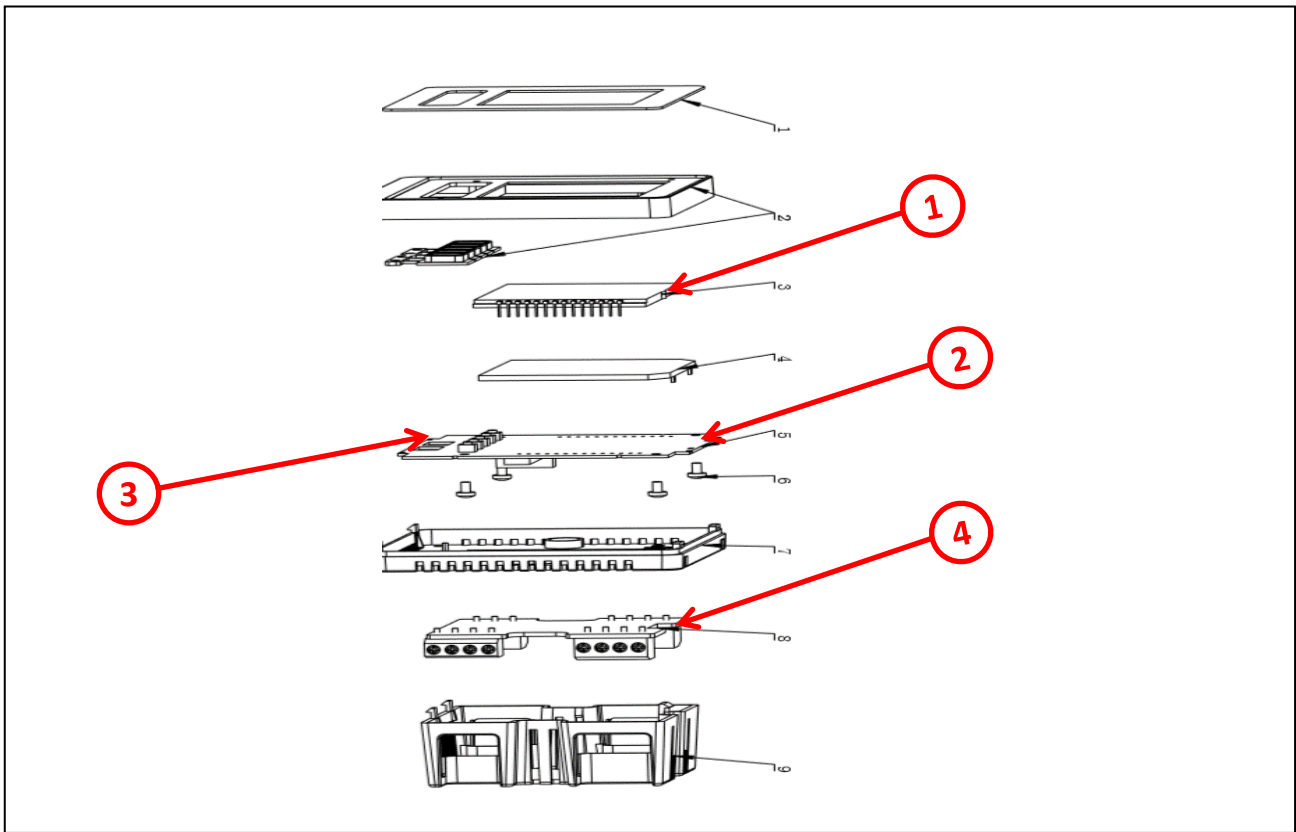


Product End of Life Instructions

SpaceLogic,Thermostat,FCU,Touch,Modbus,4P,240V,XS,Black



End of Life Instructions



Recommendation	Number on drawing	Component / Material	Weight (in g)	Comment
To be depolluted	②	Electronic Board (Communication) > 10cm ²	14.7	Main PCBA area is 64.00 cm ²
To be depolluted	③	Other battery	0.8	The battery, CR1220(Li button battery)
To be depolluted	④	Electronic Board (Power) > 10cm ²	55.6	Power PCBA area is 37.68 cm ²
To be depolluted	①	LCD (surface > 100cm ²) and all those back-lighted with gas discharge lamps	18.7	TC903 liquid crystal area is 20 cm ²



Product description

Manufacturer identification	Schneider Electric Industries SAS
Brand name	Schneider Electric
Product function	To control FAN coil units to match with the setpoint
Product reference	TC907-3A4DLMSAB
Additional similar product references	TC907-3A4DLMSAB TC907-3A2LB TC907-3A4DLSAB TC907-3A4DPMSAB TC907-3A4DPSAB TC907-3A4LAB TC907-3A4LMAB TC907-4FMSAB TC907-3A2P-24B TC907-3A4DPMSA-24B
Total representative product mass	166.5 g
Representative product dimensions	86 mmx 86 mm x40mm
Accessories	four screws
Date of information release	7/2020



Additional information

Legal information

This product family is in the scope of European Union directive 2012/19/EU on Waste Electrical and Electronic Equipment (WEEE). The product family must be disposed according to the legislation of the country. This document is intended for use by end of life recyclers or treatment facilities. It provides the basic information to assure an appropriate end of life treatment for the components and materials of the product.

In case of special transportation: transportation method

No special transportation

Recyclability potential

42%

Based on "ECO'DEEE recyclability and recoverability calculation method" (version V1, 20 Sep. 2008 presented to the French Agency for Environment and Energy Management: ADEME).

Schneider Electric Industries SAS

Country Customer Care Center

<http://www.schneider-electric.com/contact>

35, rue Joseph Monier

CS 30323

F- 92506 Rueil Malmaison Cedex

RCS Nanterre 954 503 439

Capital social 896 313 776 €

www.schneider-electric.com

Published by Schneider Electric

ENVEOLI2007024_V1

© 2019 - Schneider Electric – All rights reserved

7/2020