

52006345	<b>DATA SHEET</b>	
Valid from: 03.07.2018	<b>SKINDICHT® SVRX-Z</b>	

The SKINDICHT® SVRX is a range of brass cable glands by DIN 89280 with round fitting for use with screened cables.



The cable gland is shown with counter nut SKINDICHT® SM/SVRX

### Components:

Gland body	Brass, bright
Pressure screw	Brass, bright
Sealing insert	Ethylene-Propylene-Diene-Monomer Rubber (EPDM)
Pressure washer	Brass, bright
Earthing insert (2 parts)	Brass, bright

### Technical features:

Connecting thread	M24x1.5 up to M105x2 acc. to DIN 13
Protection class	IP56 acc. to EN 60529
Temperature range	-20 °C up to +80 °C

### Norm references:

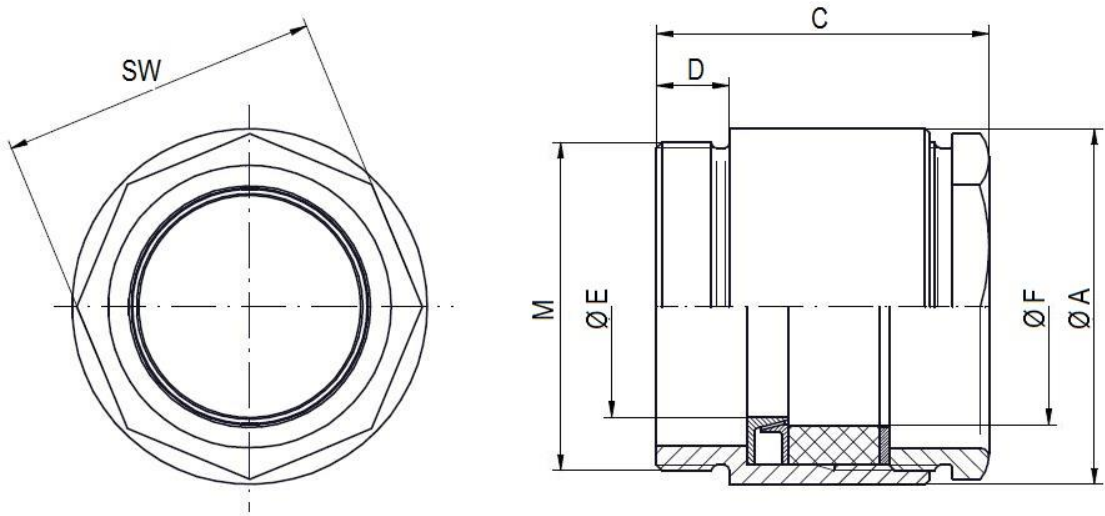


### Note:

Counter nut to be used: SKINDICHT® SM/SVRX

Creator: M. Wegerer /PDP Released: DAMU1/PDP	Document: DB52006345EN Version: 04	Page 1 of 2
---	---------------------------------------	-------------

52006345	<b>DATA SHEET</b>	
Valid from: 03.07.2018	<b>SKINDICHT® SVRX-Z</b>	



M	SW [mm]	Ø A [mm]	C [mm]	D [mm]	Ø E [mm]	Ø F [mm] Clamping range	Article No.
M24x1,5	24	28	47	11	8	10-12,5	5200 6345
	24	28	47	11	10,5	12-14,5	5200 6355
	24	28	47	11	13	14-16,5	5200 6365
	24	28	47	11	14,5	16-17,5	5200 6375
M36x2	36	41	58	13	23,75	24-26,5	5200 6425
M56x2	55	62	68	15	34,75	32-35,5	5200 6465
	55	62	68	15	38,75	35-38,5	5200 6475
	55	62	68	15	38,75	38-41,5	5200 6485
M72x2	70	78	73	16	43,75	41-44,5	5200 6495
	70	78	73	16	48,75	44-48,5	5200 6505
	70	78	73	16	48,75	48-52,5	5200 6515
M80x2	85	90	85	18	51,75	56-59	5200 6565
	85	90	85	18	61,75	62-66	5200 6535
M105x2	104	115	94	20	72	68-73	5200 6545

For more information please see our current catalogue. Please do not hesitate to contact our laboratory if there are any questions regarding resistance against aggressive agents and special oil.

Creator: M. Wegerer /PDP Released: DAMU1/PDP	Document: DB52006345EN Version: 04	Page 2 of 2
---	---------------------------------------	-------------