



MASTER CosmoWhite CPO-TW & CPO-TW Xtra

MST CosmoWh CPO-TW Xtra 45W/628 PGZ12

New-generation ceramic metal halide lamps used in Outdoor offering efficient and pleasant white light

Warnings and Safety

- Use only in totally enclosed luminaire, even during testing (IEC61167, IEC 62035, IEC60598)
- The luminaire must be able to contain hot lamp parts if the lamp ruptures
- Use only with electronic control gear
- Control gear must include end-of-life protection (IEC61167, IEC 62035)
- A lamp breaking is extremely unlikely to have any impact on your health. If a lamp breaks, ventilate the room for 30 minutes and remove the parts, preferably with gloves. Put them in a sealed plastic bag and take it to your local waste facilities for recycling. Do not use a vacuum cleaner.

Product data

Operating and Electrical	
Power Consumption	44.5 W
Voltage (Nom)	91 V
Voltage (Nom)	91 V

General Information	
Cap-Base	PGZ12 [PGZ12]
Operating Position	UNIVERSAL [Any or Universal (U)]
Flux measurement reference	Sphere

Light Technical	
Color Code	628 [CCT of 2800K]
Luminous Flux	4,900 lumen
Color Designation	White (WH)
Chromaticity Coordinate X (Nom)	0.447
Chromaticity Coordinate Y (Nom)	0.4
Correlated Color Temperature (Nom)	2800 K
Luminous Efficacy (rated) (Nom)	110 lm/W
Color rendering index (CRI)	66

MASTER CosmoWhite CPO-TW & CPO-TW Xtra

Controls and Dimming

Dimmable	Yes
----------	-----

Mechanical and Housing

Bulb Finish	Clear
Bulb Shape	T19 [T 19mm]

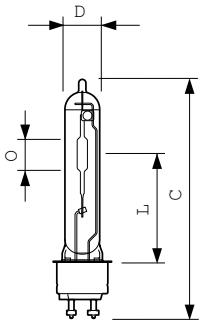
Approval and Application

Mercury (Hg) Content (Max)	2 mg
Mercury (Hg) Content (Nom)	2.0 mg
Energy Consumption kWh/1000 h	45 kWh
EPREL Registration Number	473,336

Product Data

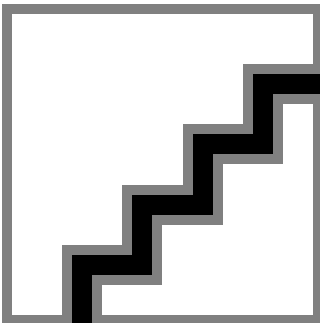
Full product code	871829115001500
Order product name	MST CosmoWh CPO-TW Xtra 45W/628 PGZ12
Order code	928083805127
Numerator - Quantity Per Pack	1
Numerator - Packs per outer box	12
Material number (12NC)	928083805127
Full product name	MST CosmoWh CPO-TW Xtra 45W/628 PGZ12
EAN/UPC - Case	8718291150022

Dimensional drawing

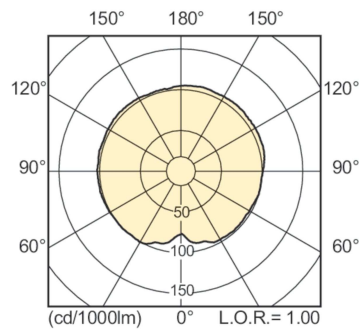


Product	D (max)	D	O	L	C (max)
MST CosmoWh CPO-TW Xtra 45W/628 PGZ12	20 mm	19 mm	14 mm	59 mm	132 mm

Photometric data



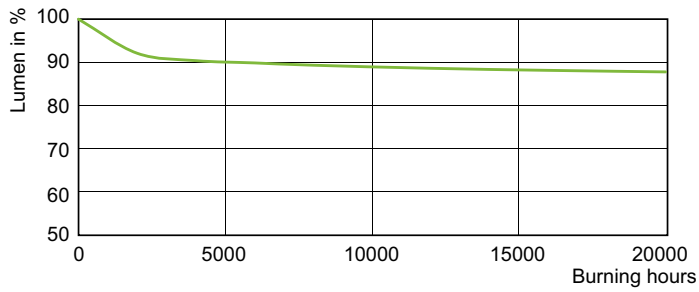
Spectral Power Distribution Colour - MST CosmoWh CPO-TW Xtra 45W/628 PGZ12



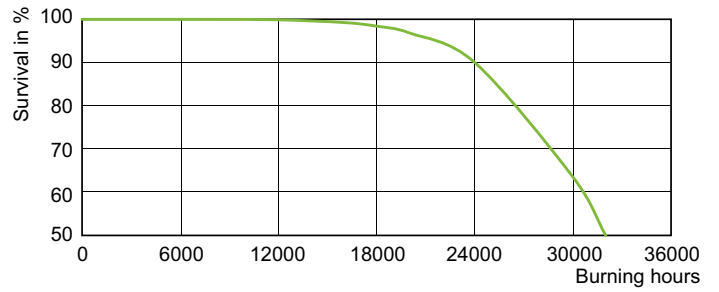
Light Distribution Diagram - MST CosmoWh CPO-TW Xtra 45W/628 PGZ12

MASTER CosmoWhite CPO-TW & CPO-TW Xtra

Lifetime



Lumen Maintenance Diagram - MST CosmoWh CPO-TW Xtra 45W/628 PGZ12



Life Expectancy Diagram - MST CosmoWh CPO-TW Xtra 45W/628 PGZ12

