

Mini Horns Sirens Buzzer / Electronic Buzzers 118 483/119 483

Electr. Buzzer WM Contin. tone 230VAC GY**Part No.:** 118.483.28**MECHANICAL DATA**

| | |
|-----------------------------|---------------|
| Height | 80 mm |
| Diameter | 70 mm |
| Materials | PC/ABS |
| Housing colour | Grey |
| Protection category | IP33 |
| Connection | Flat plug |
| Type of fixing | Wall mounting |
| Working temperature minimum | 0°C |
| Working temperature maximum | +60°C |
| Weight with packaging | 132 g |
| Product weight | 105 g |

ELECTRICAL DATA

| | |
|-----------------------------|--------------------------|
| Operating voltage | 230V |
| Operating voltage type | AC |
| Operating voltage frequency | 50Hz |
| Operating voltage tolerance | +/- 10% |
| Rated operational voltage | 230 VAC |
| Rated operational current | 20 mA |
| Rated inrush current | <500mA |
| Protection class | Protection class 2 |
| Pollution degree | 2 |
| Overvoltage category | II |
| Isolation voltage | Ui = 250V; Uimp = 2.500V |

ACOUSTIC DATA

| | |
|-----------------------------|-----------------|
| Volume (max) at 1m distance | 90,0 dB (A) |
| Acoustic signal image | Continuous tone |
| Audio frequency | 2400 Hz |
| Acoustic service life | 5,000 h minimum |

APPROVAL DATA

| | |
|------------------------------|-----|
| Conforms with CE | Yes |
| Conforms with RoHS directive | Yes |
| WEEE | Yes |
| Conforms with ATEX-directive | No |
| Conforms with CCC | No |
| Conforms with UL | No |
| Conforms with FCC | No |



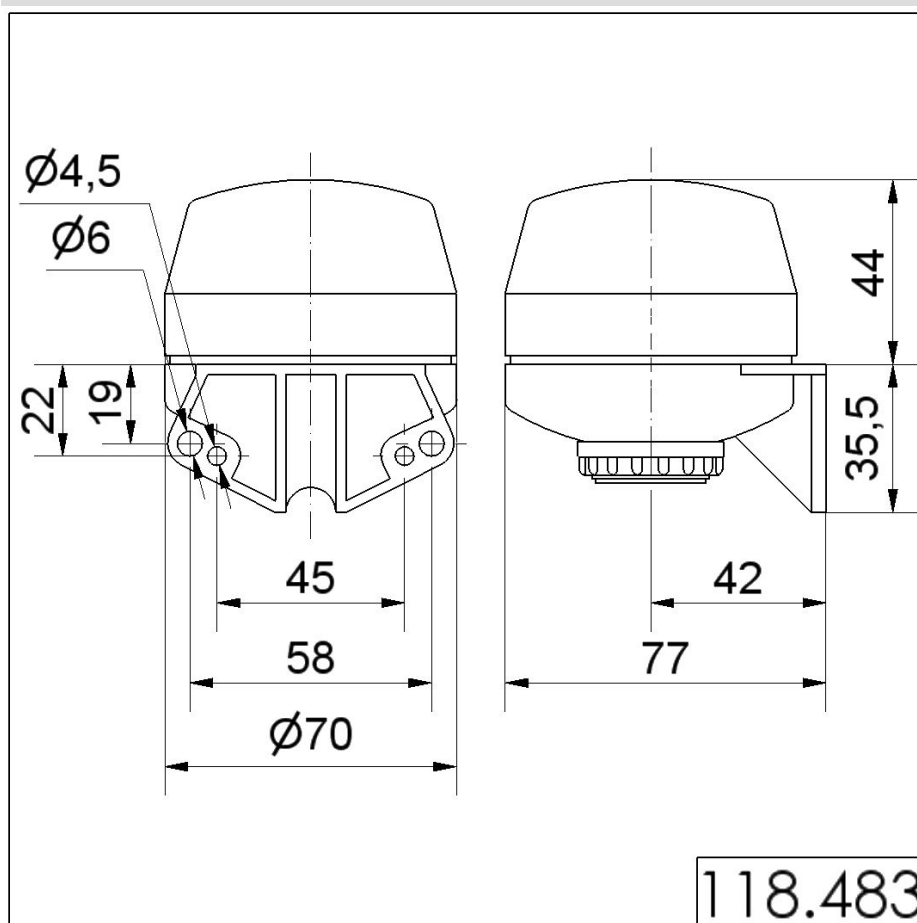
For additional installation and mounting information, refer to the appropriate user guide at www.werma.com. This printed copy is for information only and is subject to alteration.

Mini Horns Sirens Buzzer / Electronic Buzzers 118 483/119 483

Electr. Buzzer WM Contin. tone 230VAC GY

| | |
|-------------------------------|-----------------------|
| Conforms with IC | No |
| EAC certificate available | Yes |
| Conforms with UKCA (Importer) | Yes (WERMA (UK) Ltd.) |
| Conforms with AS-I | No |
| ICAO Certification | No |
| Conforms with DNV | No |
| Conforms with RoHS CN | No |
| Conforms with VdS | No |

DRAWING



! For additional installation and mounting information, refer to the appropriate user guide at www.werma.com. This printed copy is for information only and is subject to alteration.