

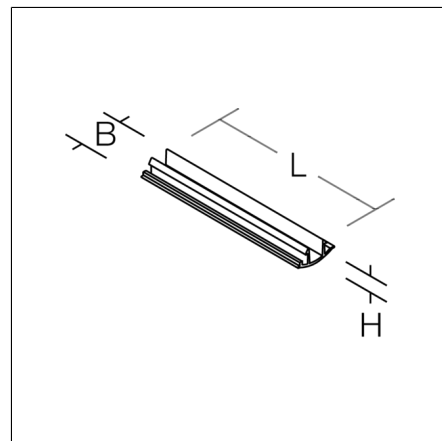
Cover

701075.003 | Circuit tracks



Accessories
4010319962285
L 1000, B 18, H 10

Track on ceiling
black



Plastic, cover for busbar, length 1 m, can be shortened as required. For 3-phase busbars and for RZB 3-phase DALI busbar.

Product specifications

Length L	1000 mm
Width B	18 mm
Height H	10 mm
Weight	70 g
Conformity mark	EAC, UKCA