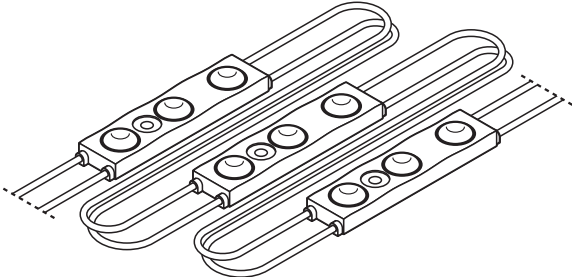
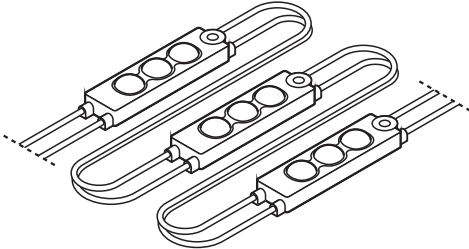


# BackLED® L/M/S Plus

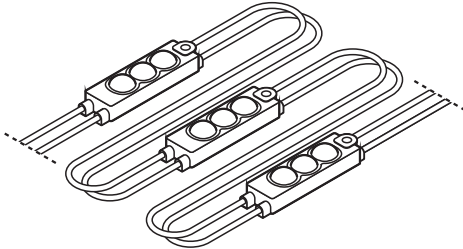
BackLED® L Plus

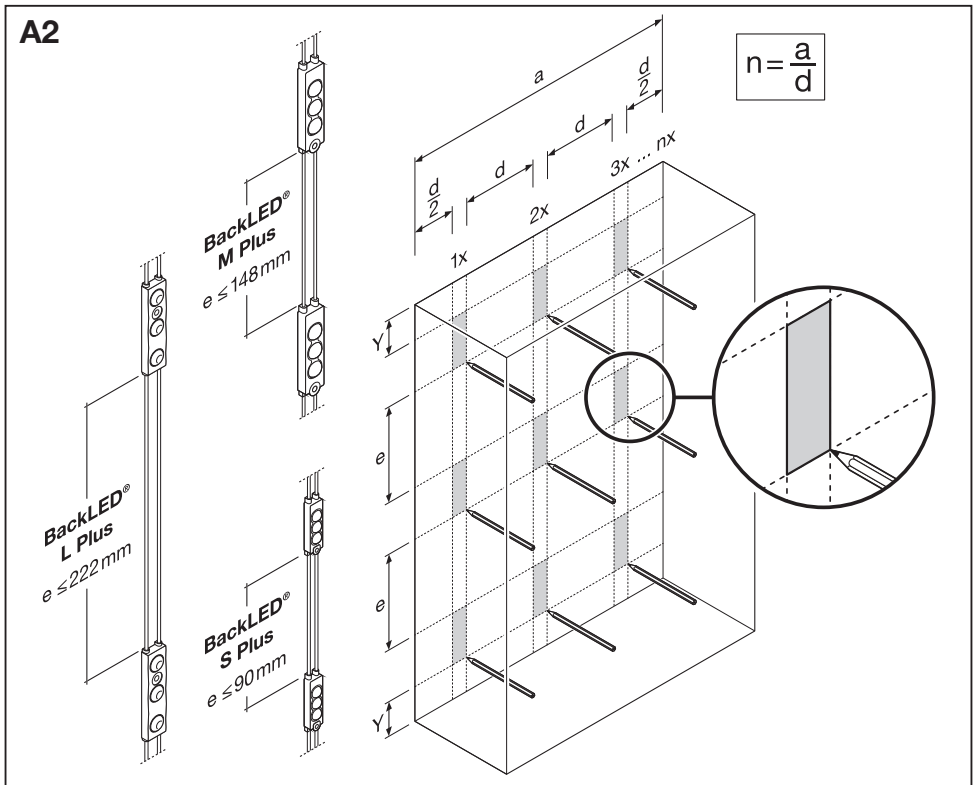
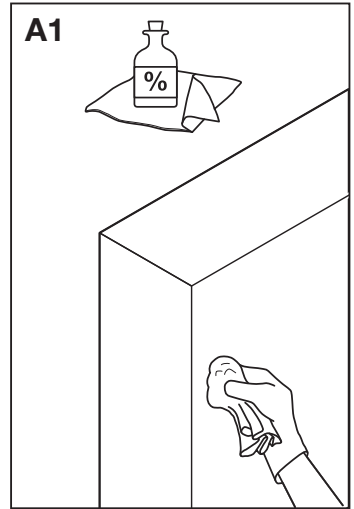
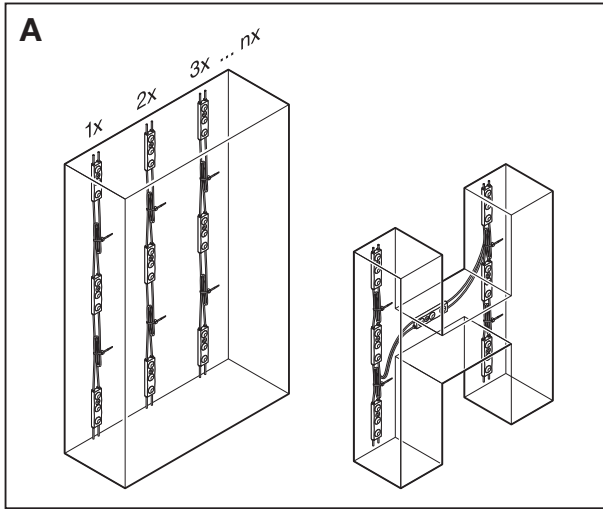


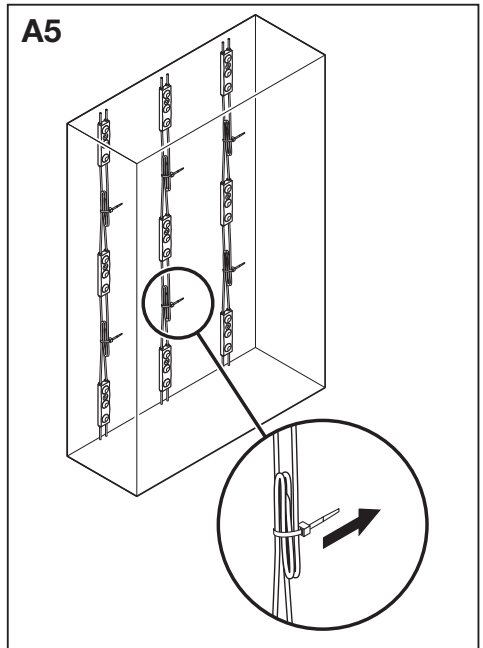
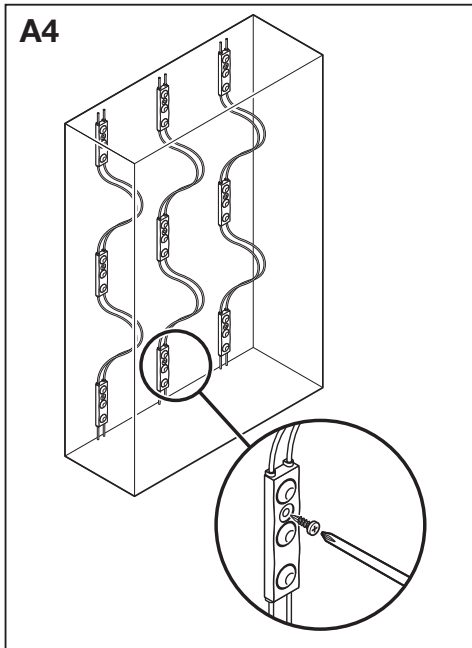
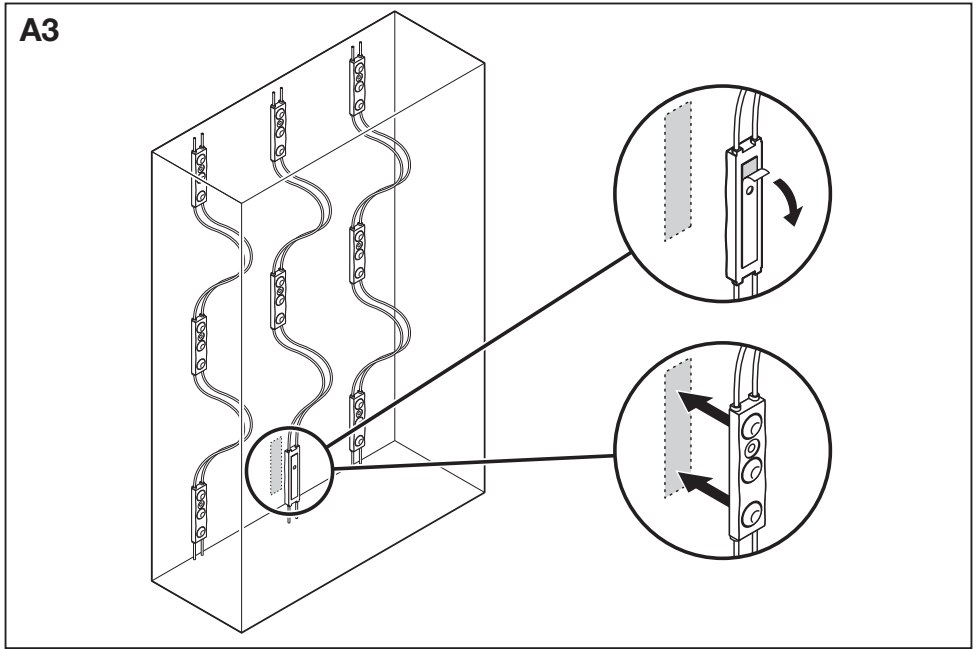
BackLED® M Plus



BackLED® S Plus

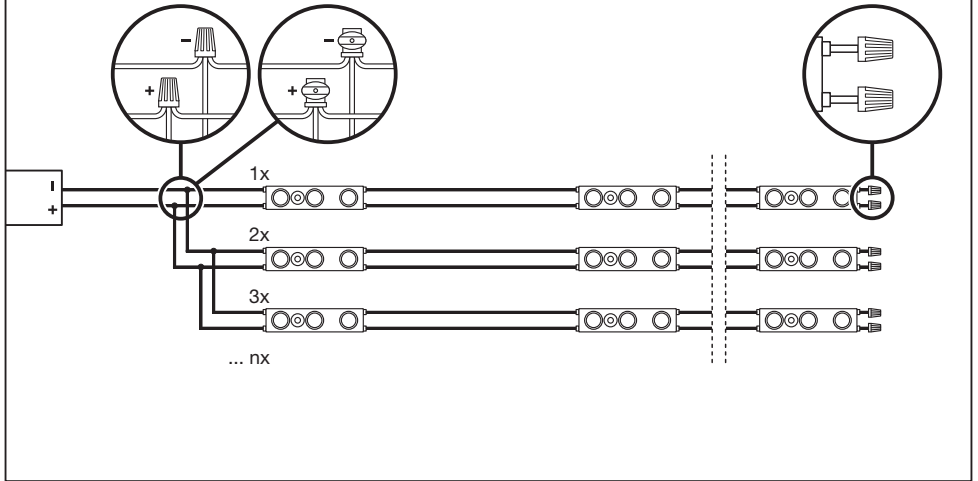






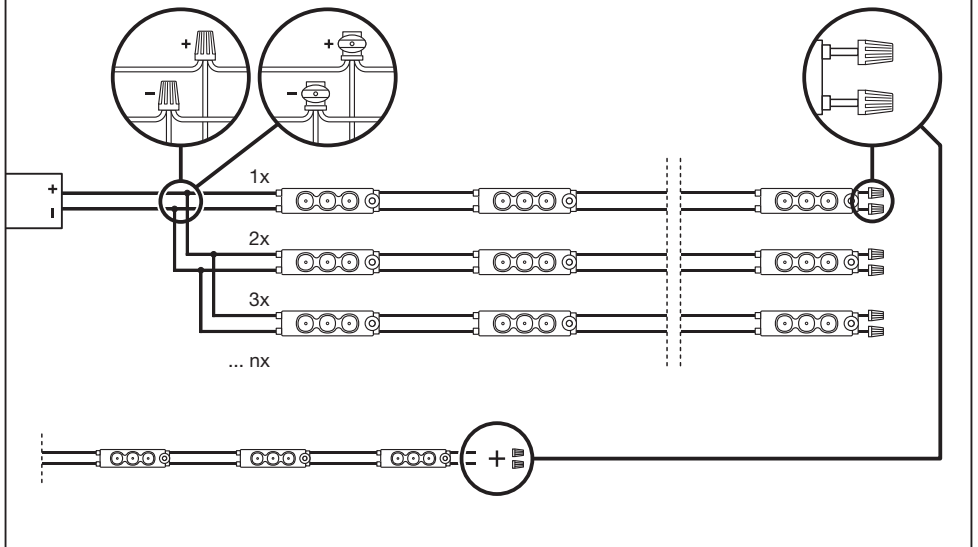
BackLED® L Plus / BackLED® S Plus

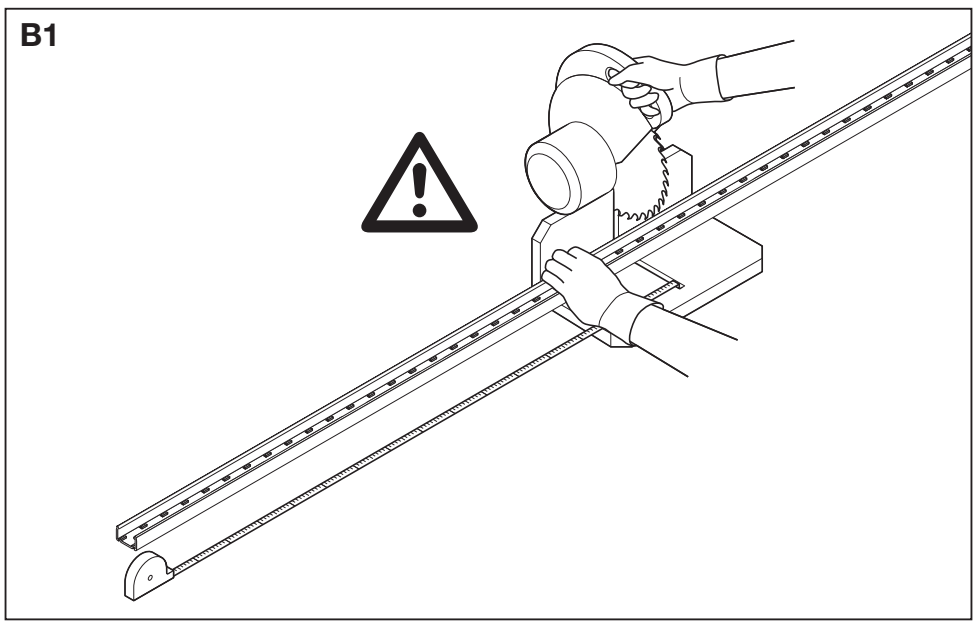
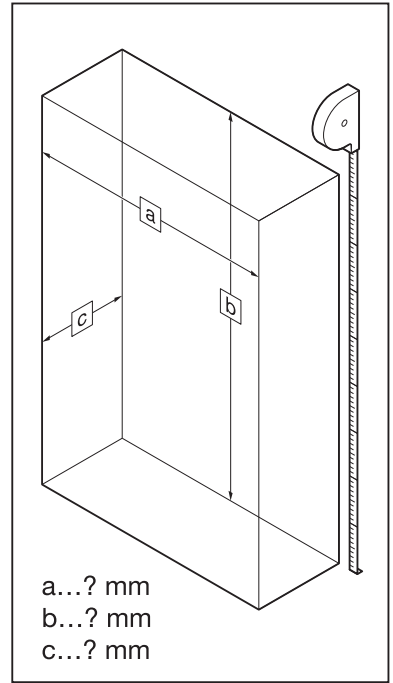
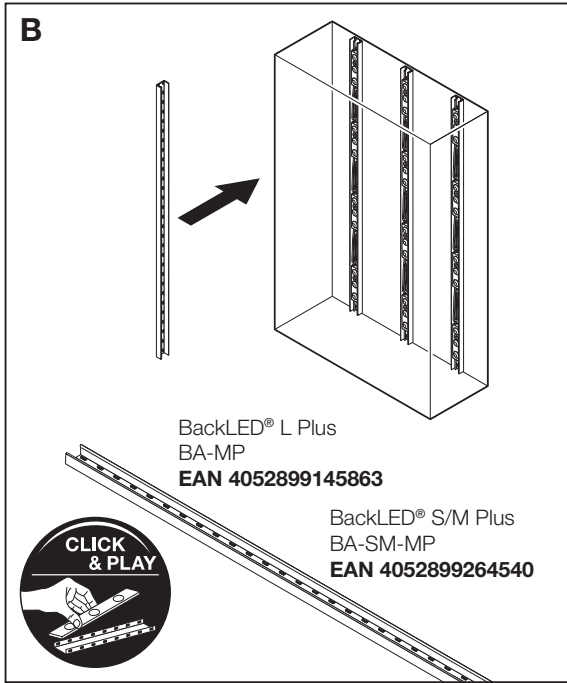
**A6**

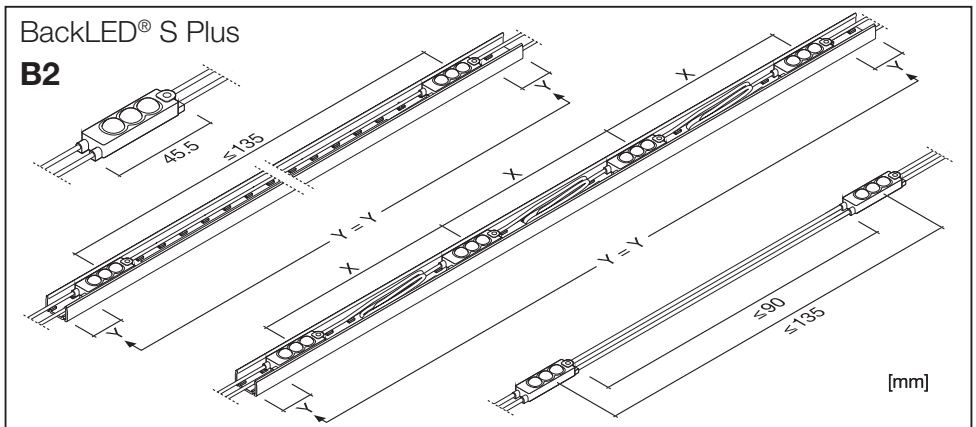
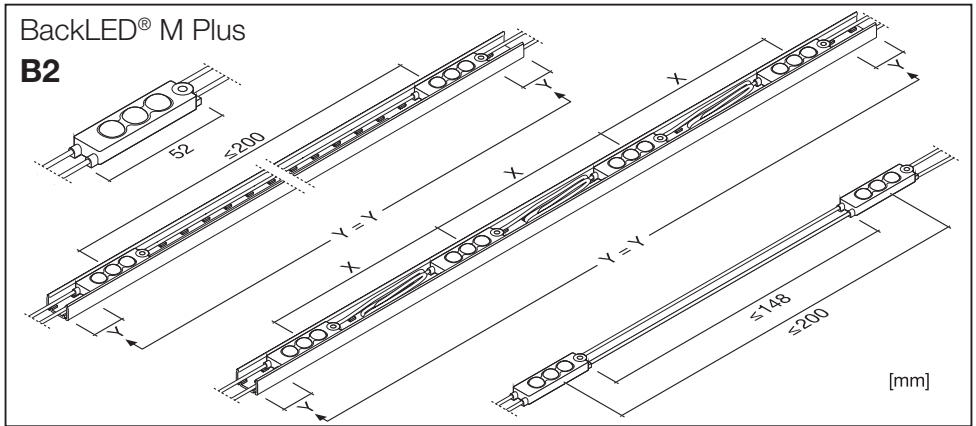
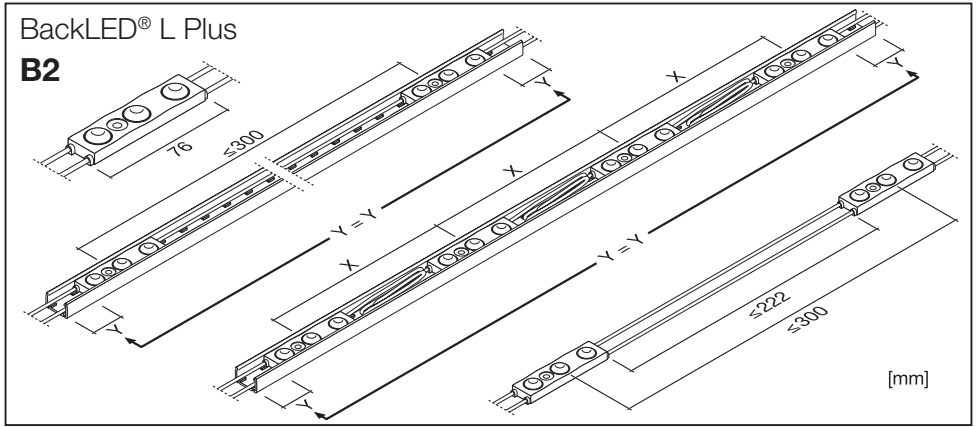


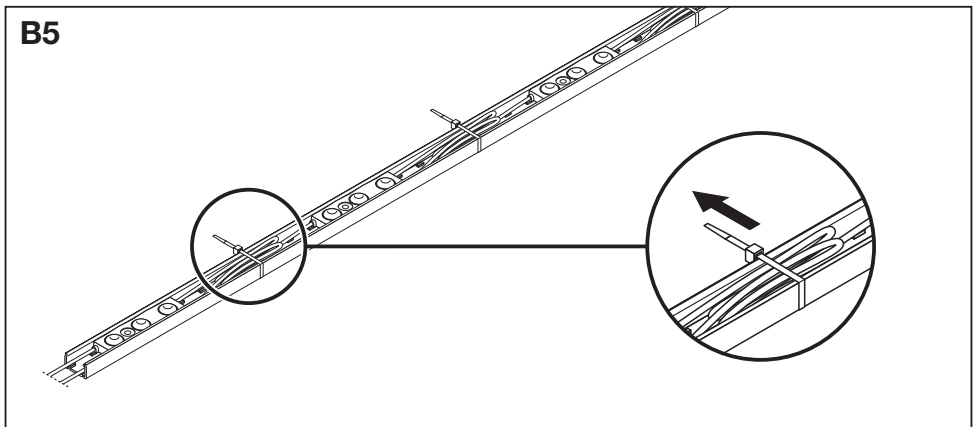
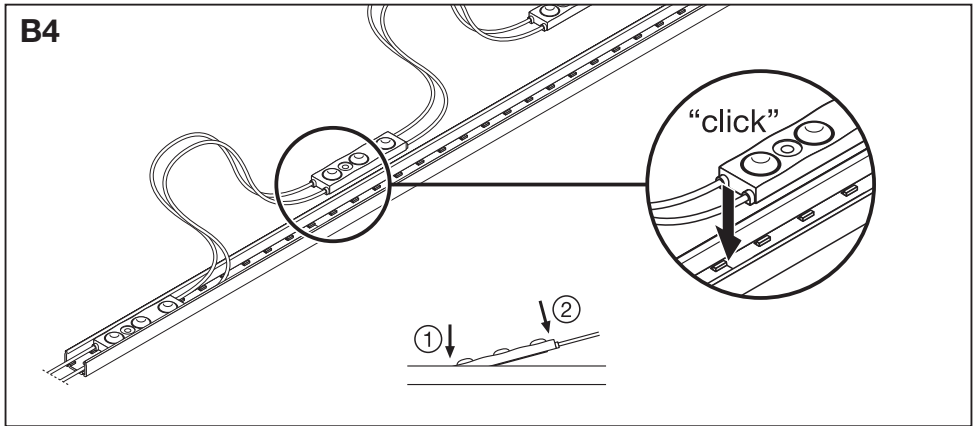
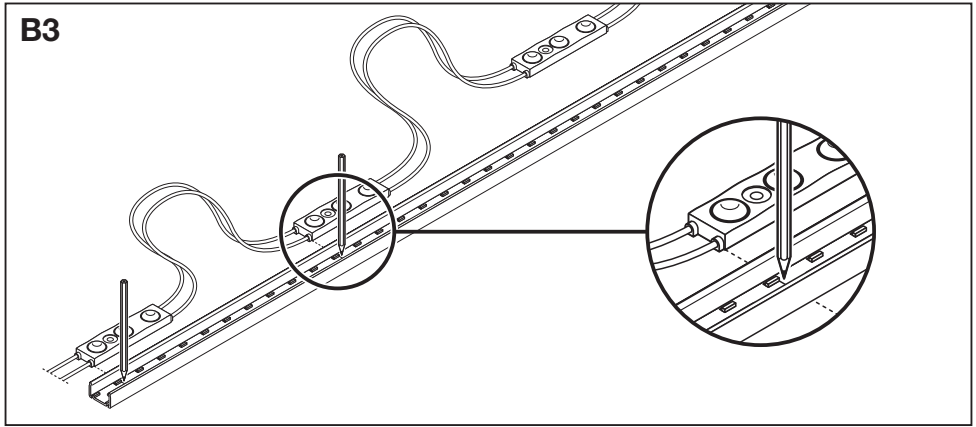
BackLED® M Plus

**A6**

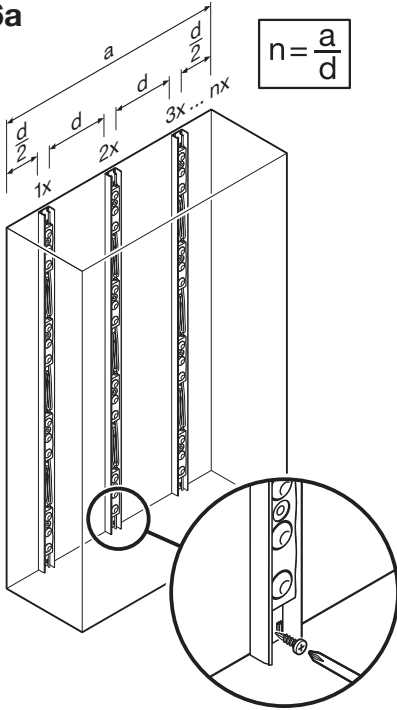




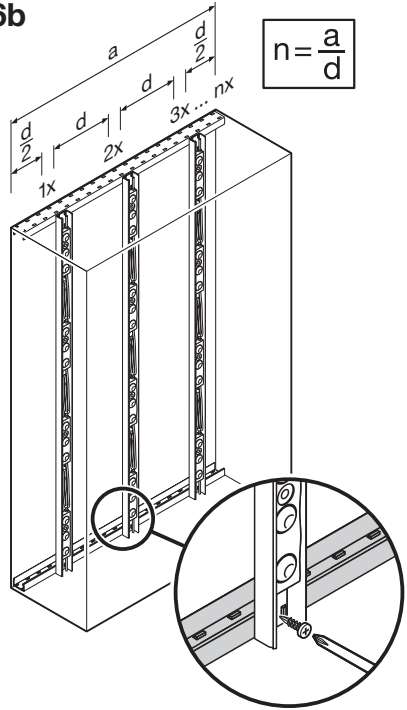




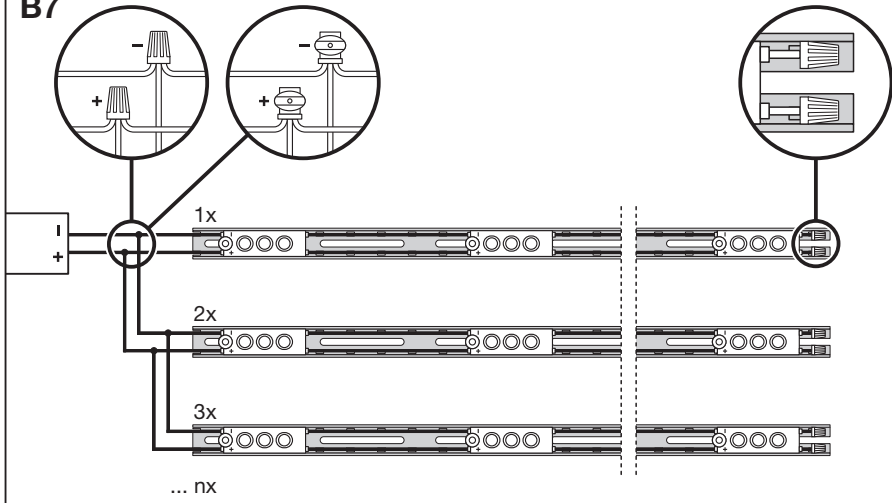
### B6a



### B6b



### B7



OSRAM China Lighting Ltd.  
No. 1 North Industrial Road  
Postal Code: 528000  
Foshan, Guangdong  
China



C10449058  
G15016954  
07.03.17

OSRAM GmbH  
Steinerne Furt 62  
86167 Augsburg  
Germany  
[www.osram.com](http://www.osram.com)