













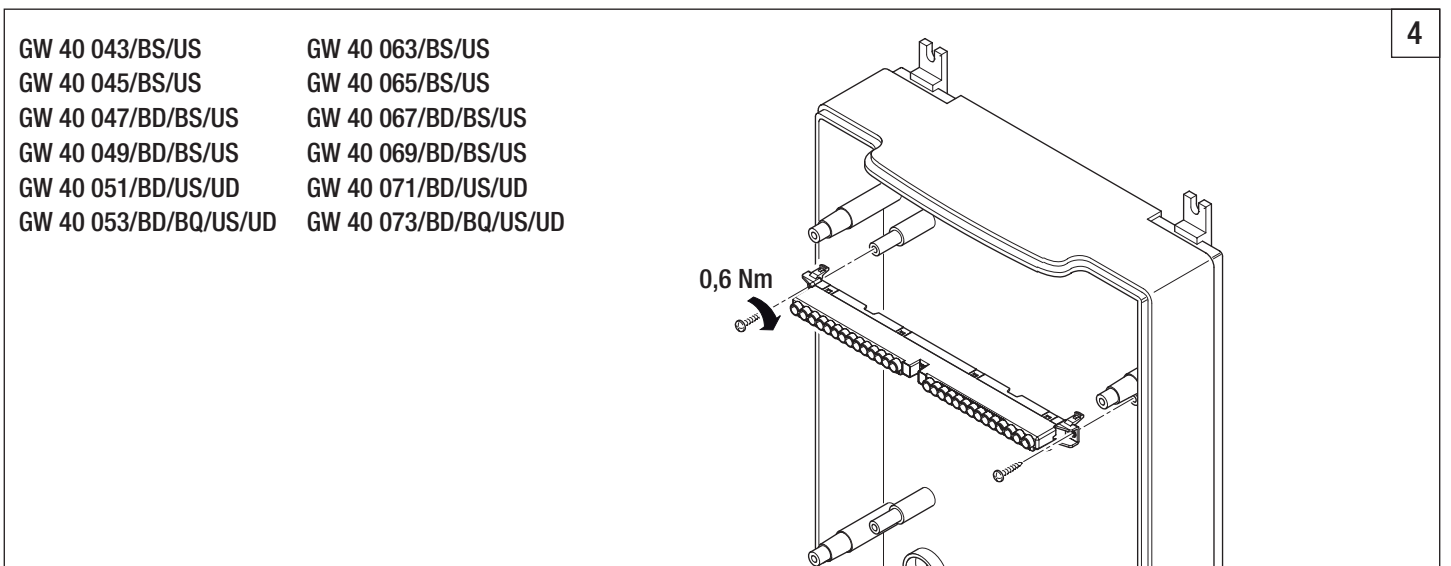
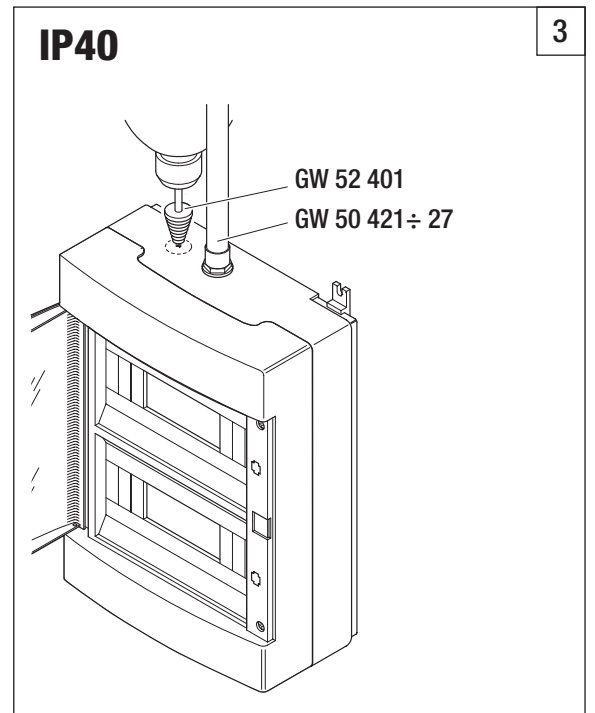
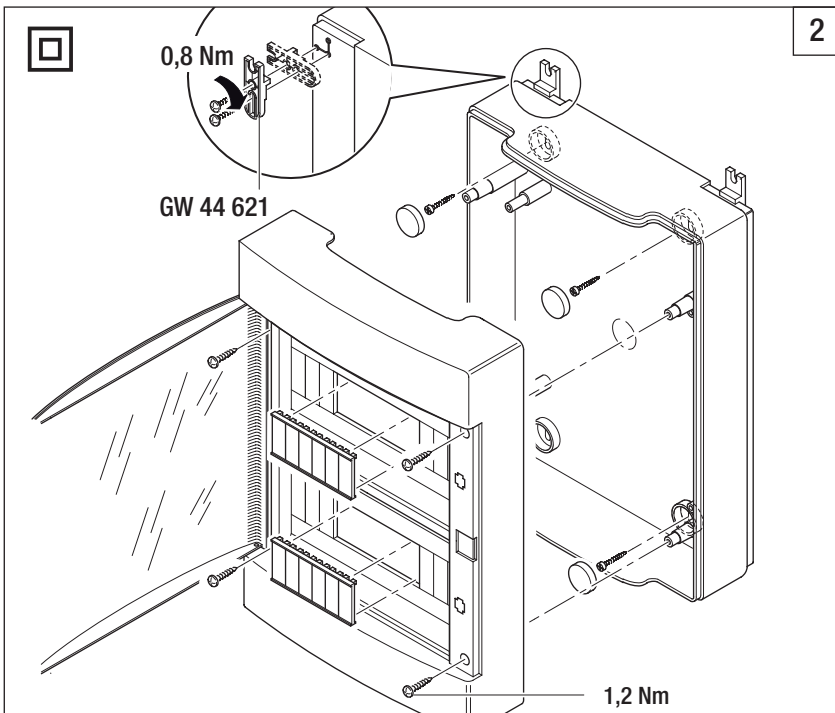
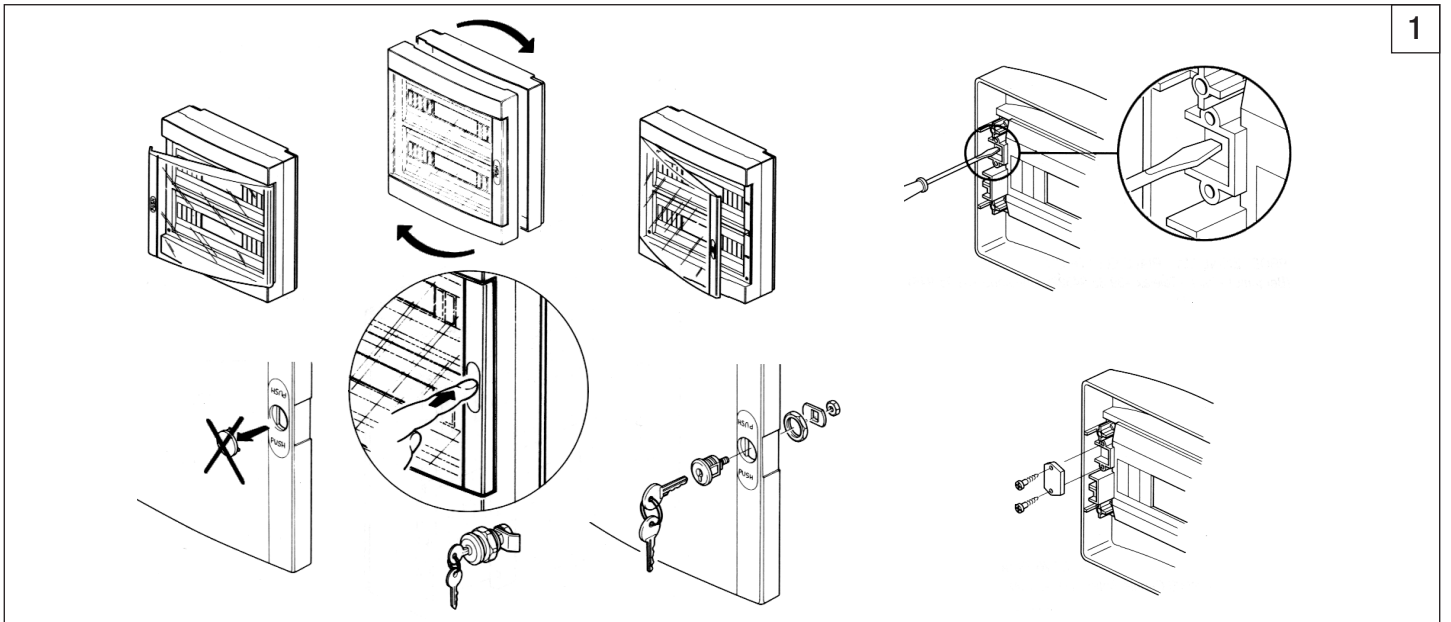
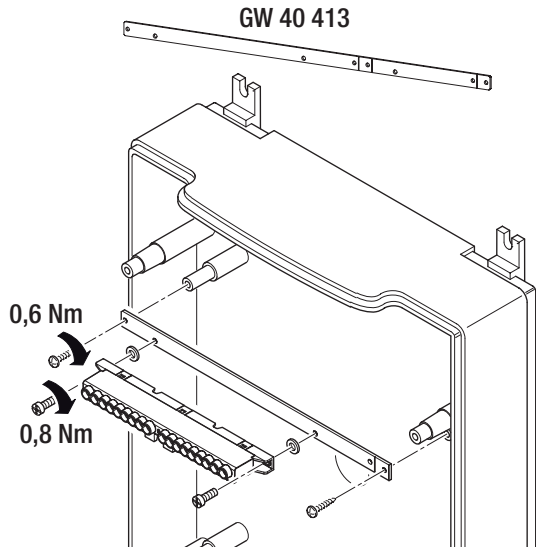




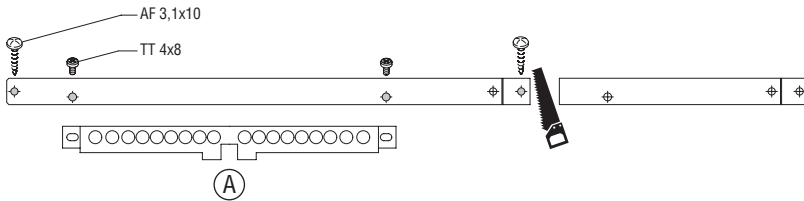
| | EN 50022 18 mm |  | Pde | | EN 50022 18 mm |  | Pde |
|--|-------------------|--|-----|--|-------------------|---|-----|
|  <p>GW 40 043 GW 40 063</p> <p>GW 40 043BS GW 40 063BS</p> <p>GW 40 043US GW 40 063US</p> | 8 | N°1 (A) | 15W |  <p>GW 40 049 GW 40 069</p> <p>GW 40 049BD GW 40 069BD</p> <p>GW 40 049BS GW 40 069BS</p> <p>GW 40 049US GW 40 069US</p> | 36 (18x2) | N°2 (C) | 45W |
| | | N°1 GW 40 408B | | | | N°2 GW 40 418B | |
| | | N°1 GW 40 408U | | | | N°1 GW 40 418B | |
|  <p>GW 40 045 GW 40 065</p> <p>GW 40 045BS GW 40 065BS</p> <p>GW 40 045US GW 40 065US</p> | 12 | N°1 (B) | 22W |  <p>GW 40 051 GW 40 071</p> <p>GW 40 051BD GW 40 071BD</p> <p>GW 40 051US GW 40 071US</p> <p>GW 40 051UD GW 40 071UD</p> | 54 (18x3) | N°2 (C) | 63W |
| | | N°1 GW 40 412B | | | | N°2 GW 40 418B | |
| | | N°1 GW 40 412U | | | | N°1 GW 40 418U | |
|  <p>GW 40 047 GW 40 067</p> <p>GW 40 047BD GW 40 067BD</p> <p>GW 40 047BS GW 40 067BS</p> <p>GW 40 047US GW 40 067US</p> | 24 (12x2) | N°2 (B) | 25W |  <p>GW 40 053 GW 40 073</p> <p>GW 40 053BD GW 40 073BD</p> <p>GW 40 053BQ GW 40 073BQ</p> <p>GW 40 053US GW 40 073US</p> <p>GW 40 053UD GW 40 073UD</p> | 72 (18x4) | N°4 (C) | 75W |
| | | N°2 GW 40 412B | | | | N°2 GW 40 418B | |
| | | N°1 GW 40 412B | | | | N°4 GW 40 418B | |
| | | N°1 GW 40 412U | | | | N°1 GW 40 418U | |
| | |  <p>GW 44 621</p> | | | |  <p>GW 40 413</p> | |
| | |  <p>GW 40 422</p> | | | | | |

| |  | | |  | | | |  | | |
|----|---|--|--|---|---|---|---|---|---|---|
| | (A) | | | (B) | | | | (C) | | |
| | GW 40 401 | GW 40 408B | GW 40 408U | GW 40 402 | GW 40 412B | GW 40 412U | GW 40 422U | GW 40 404 | GW 40 418B | GW 40 418U |
| | 125A - 2P | 80A - 2P | 80A - 1P | 125A - 2P | 80A - 2P | 80A - 1P | 80A - 1P | 125A - 2P | 80A - 2P | 80A - 1P |
| 1P | n°1x35mm ² n°7x10mm ² | n°2x16mm ² n°7x10mm ² | n°2x16mm ² n°7x10mm ² | n°3x35mm ² n°10x10mm ² | n°3x16mm ² n°11x10mm ² | n°3x16mm ² n°11x10mm ² | n°3x16mm ² n°29x10mm ² | n°5x35mm ² n°14x10mm ² | n°3x16mm ² n°17x10mm ² | n°3x16mm ² n°17x10mm ² |

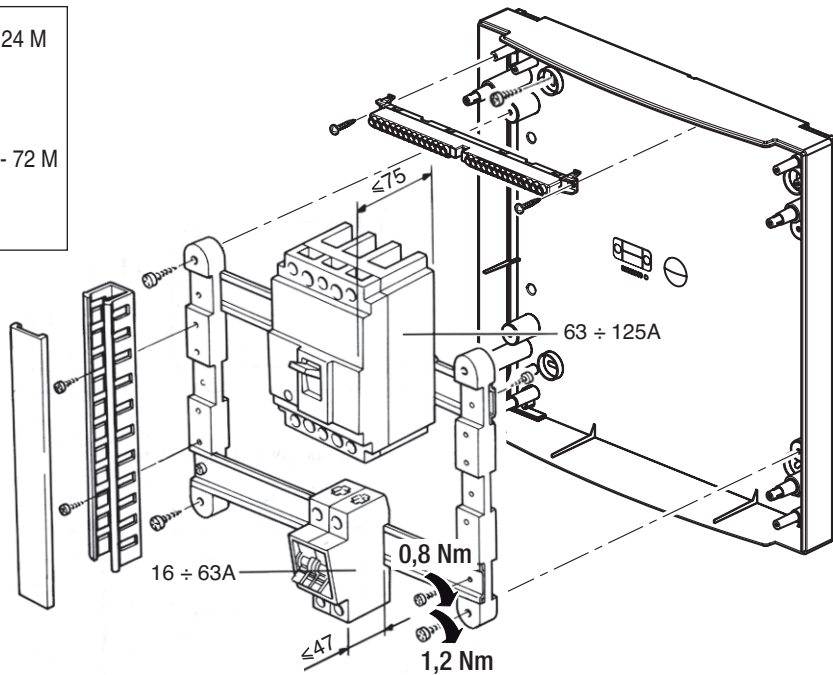
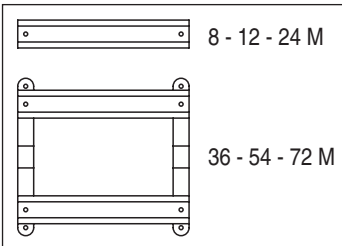
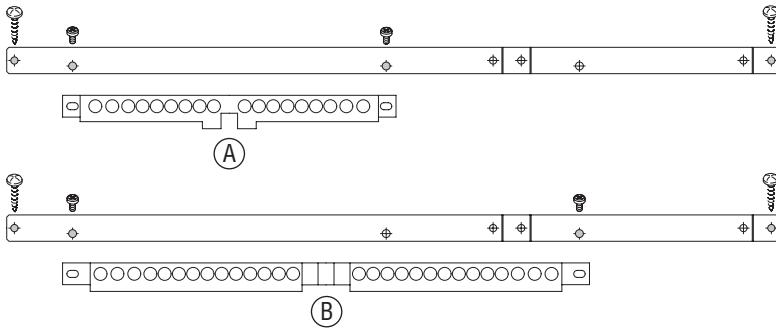


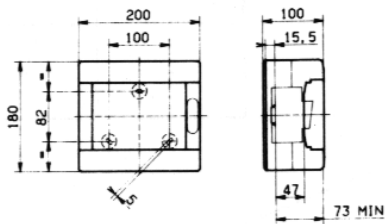


12DIN

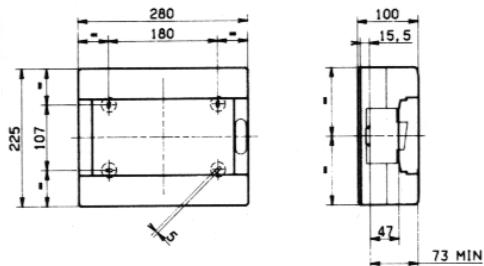


18DIN

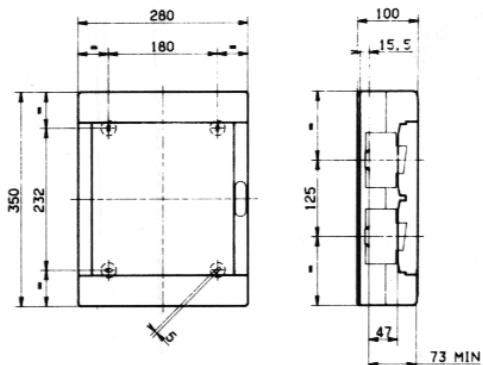




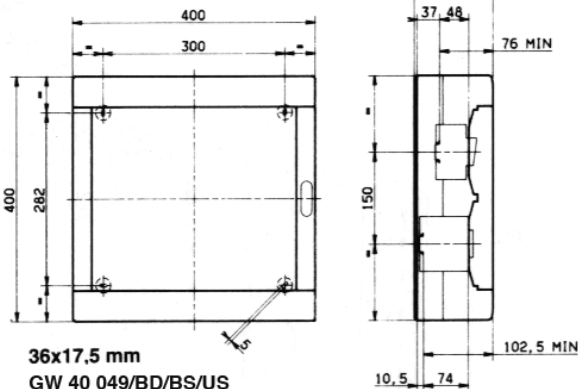
8x17,5 mm - GW 40 043/BS/US
GW 40 063/BS/US



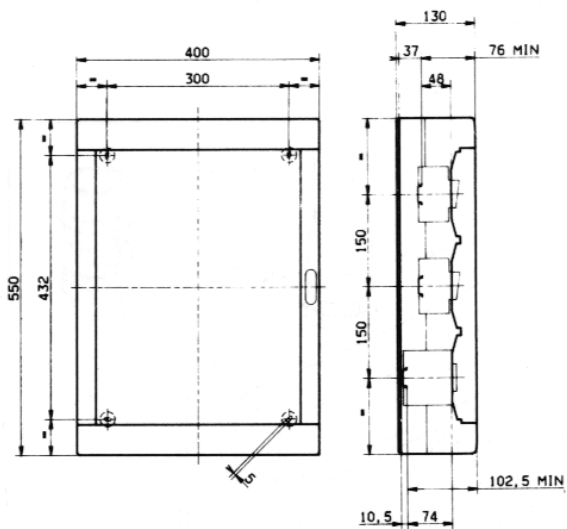
12x17,5 mm - GW 40 045/BS/US
GW 40 065/BS/US



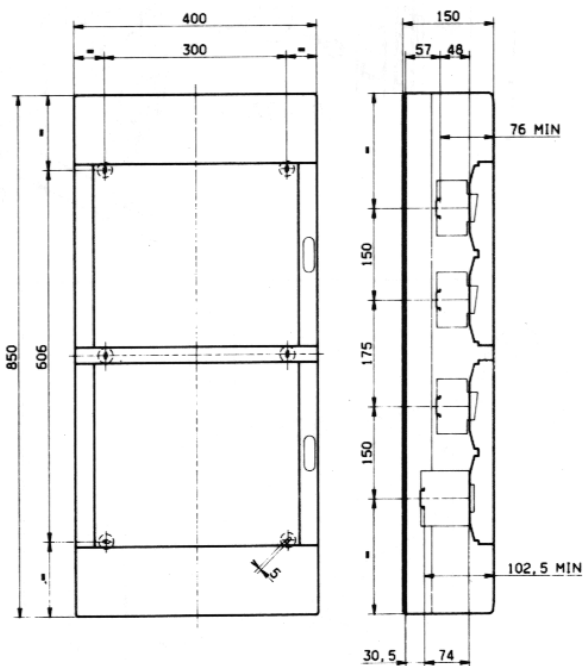
24x17,5 mm - GW 40 047/BD/BS/US
GW 40 067/BD/BS/US



36x17,5 mm
GW 40 049/BD/BS/US
GW 40 069/BD/BS/US



54x17,5 mm - GW 40 051/BD/US/UD
GW 40 071/BD/US/UD



72x17,5 mm - GW 40 053BD/BQ/US/UD
GW 40 073BD/BQ/US/UD

| IEC 60670-24 GP | Un | Ui | In |
|-----------------|------|-------|------|
| | 400V | 1000V | 125A |

| IEC 60670-24 PD | Un | Ui | In | IK |
|-----------------|------|-------|------|----|
| PD | 400V | 1000V | 125A | 08 |

Punto di contatto indicato in adempimento ai fini delle direttive e regolamenti UE applicabili:
Contact details according to the relevant European Directives and Regulations:

GEWISS S.p.A. Via A.Volta, 1 IT-24069 Cenate Sotto (BG) Italy tel: +39 035 946 111 E-mail: qualitymarks@gewiss.com



+39 035 946 111
8.30 - 12.30 / 14.00 - 18.00
lunedì - venerdì - monday - friday



+39 035 946 260



sat@gewiss.com
www.gewiss.com