

Flush-mounting boxes

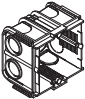
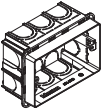
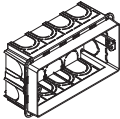
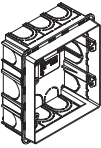
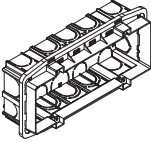

TECHNICAL SHEET

Items 502E, 503E, 504E, 506E, 506L, 510L, 510N

Description

Masonry wall boxes, with metal clips and mortar cut-outs for the insertion of conduit of different sections.

The ease of installation and the range of available accessories make wiring easy and allow for total side by side installation of the boxes, both vertically and horizontally. Back coupling is also possible, with boxes also installed on the opposite sides of the same wall.

Item	Description
 502E	2-module flush-mounting box
 503E	3-module flush-mounting box
 504E	4-module flush-mounting box
 506E	6-module (3+3) flush-mounting box
 506L	6/7-module flush-mounting box
 510L 510N	flush-mounting box for profiles: 1 Living, Light, Light tech module 1 Magic module

Technical data

Material: polystyrene, without halogens
 Operating temperature: (-15) - (+60) °C
 Resistance: 650 °C, IEC 60695-2-11 glow wire

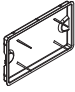




Standards, Certifications, Marks

Reference standard: EN60670-1

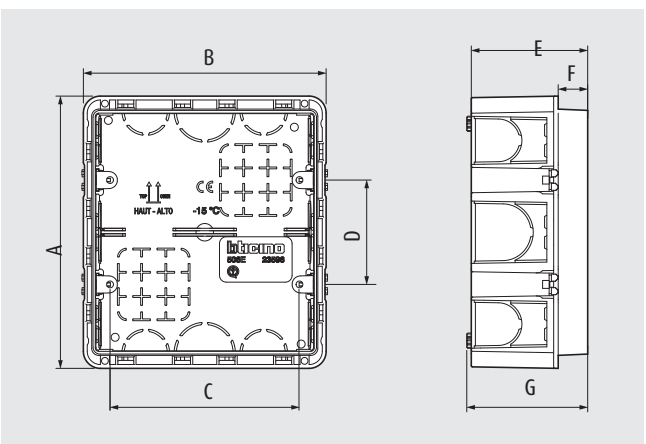
Marks:



Accessories

Item	Description
 503CG	Mortar guard: to protect the box during the plastering operation (for 503E box).
 503ED	Side installation device: helps maintaining the correct distance between the boxes during the masonry operations (for 503E, 504E, 506E boxes and, only for vertical installation, for 506L).
 503EV	Vertical partition: insulating internal resin partition that can be used to separate data circuits from power circuits (for PB503, PB504 and PB506 boxes).
 506EV	Horizontal partition: insulating internal resin partition (for 506E box). It can be used to separate data circuits from power circuits.
 503EC 504EC 506EC	Front cover plate: to close the box, if used as a junction box, or to ensure the possibility of future installation of devices inside the box (for PB503, PB504, PB506 boxes).

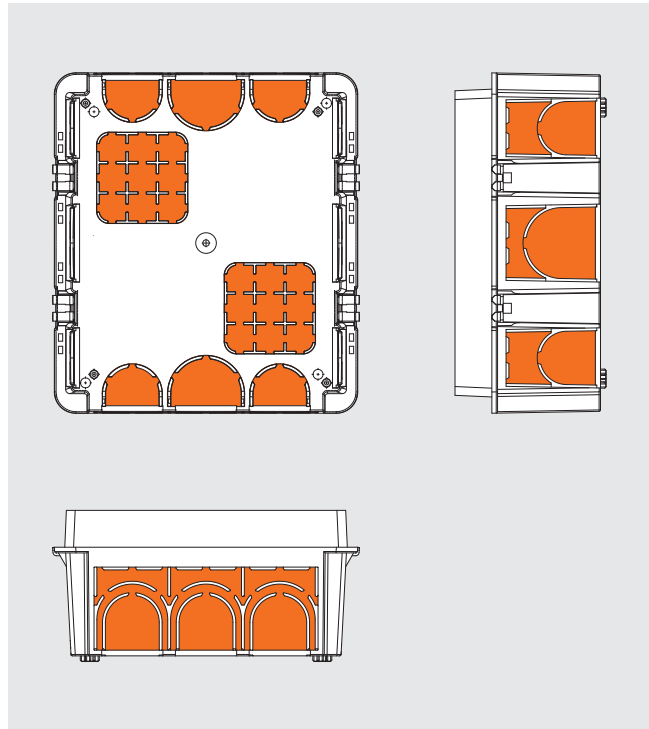
Dimensional data



Item	A	B	C	D	E	F	G	Internal depth
502E	71	70.8	60	60	52.7	-	-	48
503E	74	107	83.5	-	51.3	13	53.3	50
504E	74	132	108.5	-	51.3	13	53.3	50
506E	120	107	83.5	46	51.3	13	53.3	50
506L	90	186	100	60	51.3	13	53.3	50
510L/N	50.7	27.8	-	-	37	-	29.5	45

Size and number of cut-out marks

Dimensions	502E	503E	504E	506E	506L	510L/N
10 Ø mm	-	-	-	-	-	2
11 Ø mm	-	-	-	-	-	1
20 Ø mm	11	12	14	14	20	2
25 Ø mm	1	10	14	10	10	-
20 x 32 mm	-	4	4	4	2	-
21 x 29 mm	-	-	-	-	4	-
26 x 32 mm	-	-	-	2	2	-
27 x 29 mm	-	6	8	6	6	-
32 x 32 mm	-	2	2	2	2	-
79 x 29 mm	-	2	-	2	-	-
86 x 29 mm	-	-	-	-	2	-
105 x 29 mm	-	-	2	-	-	-



Customisation and installation possibilities

