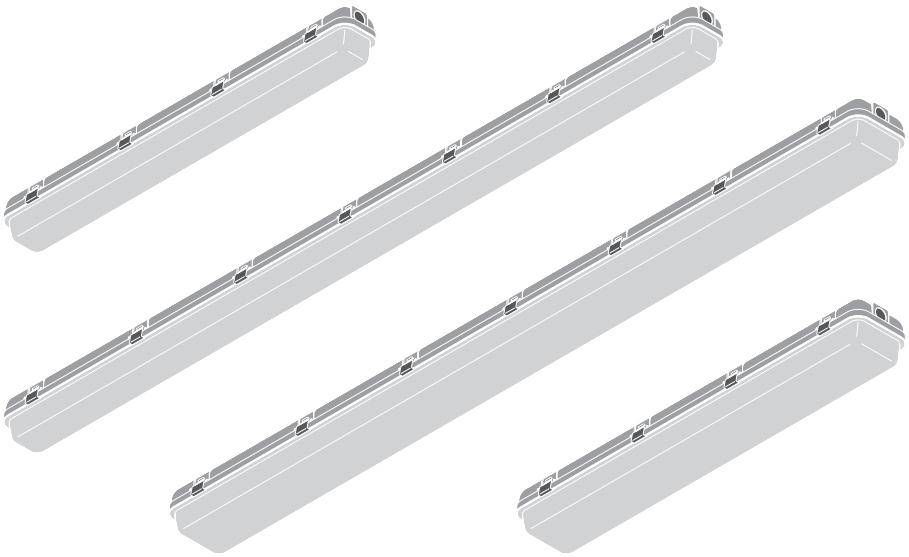




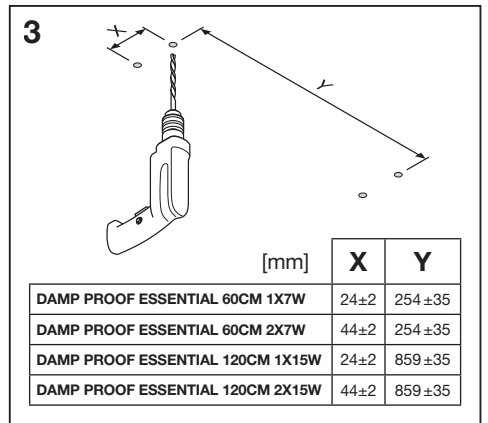
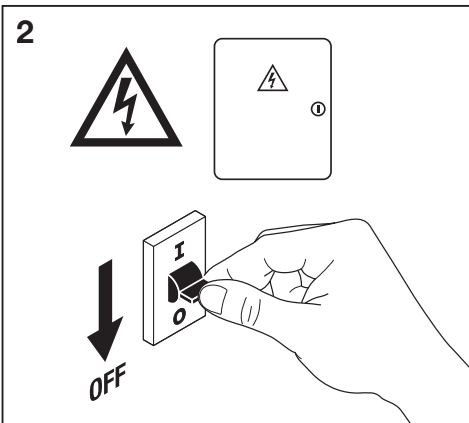
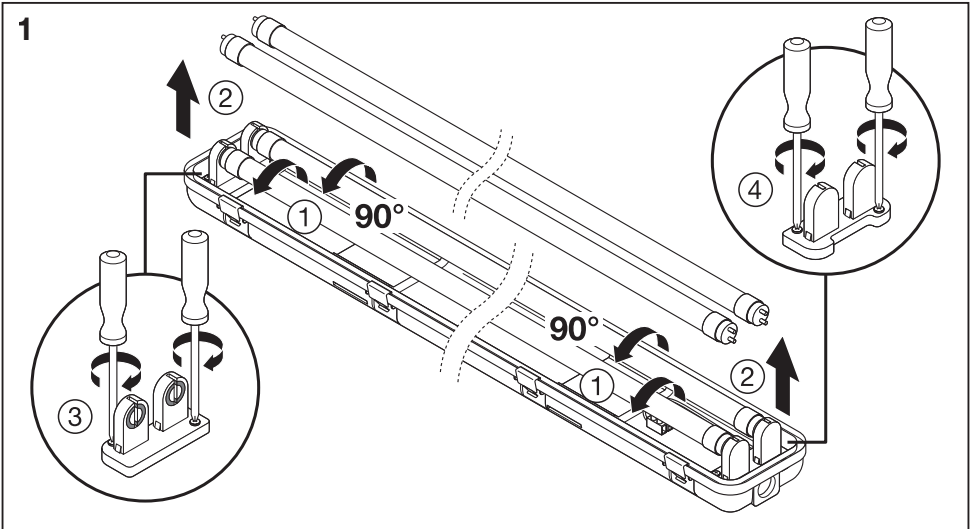
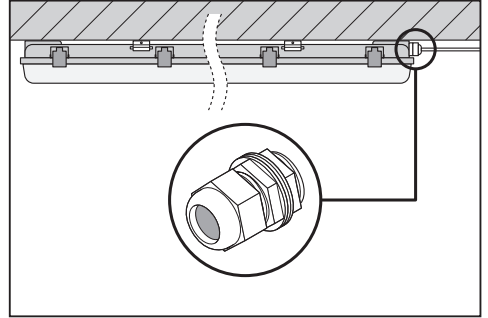
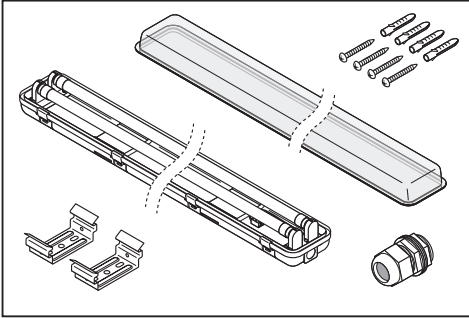


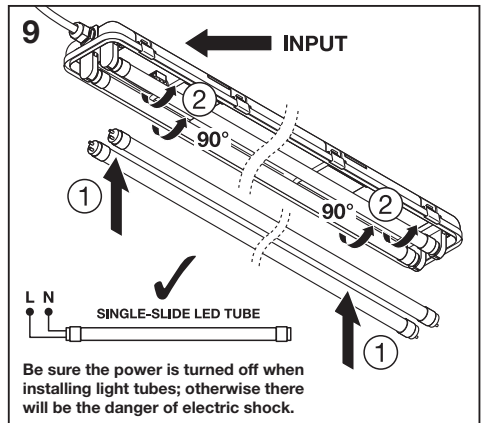
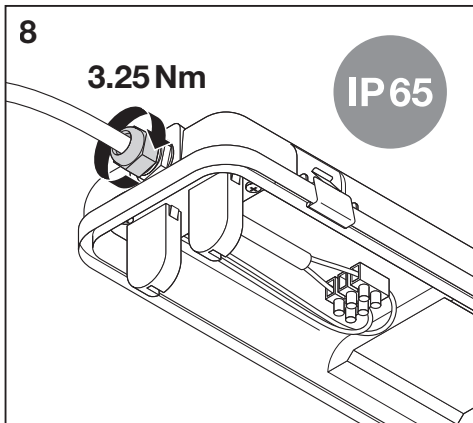
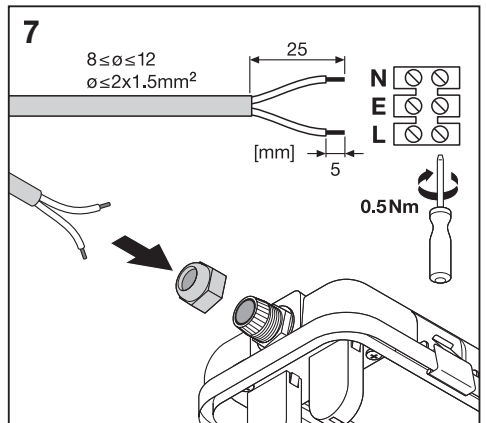
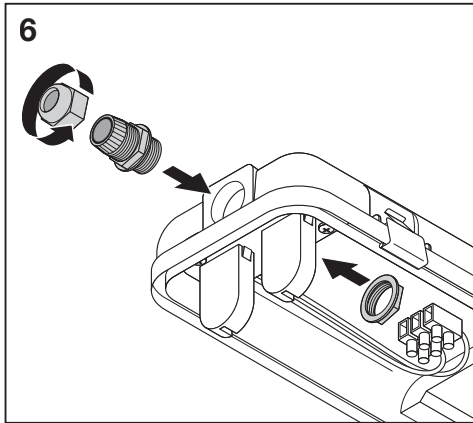
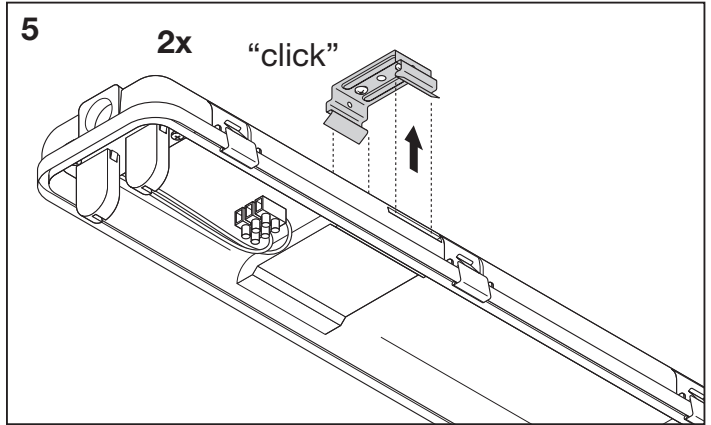
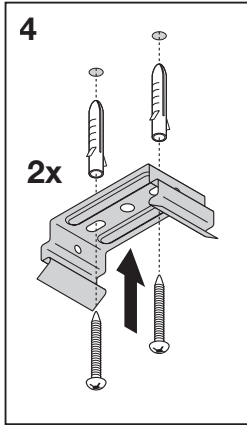
## DAMP PROOF ESSENTIAL

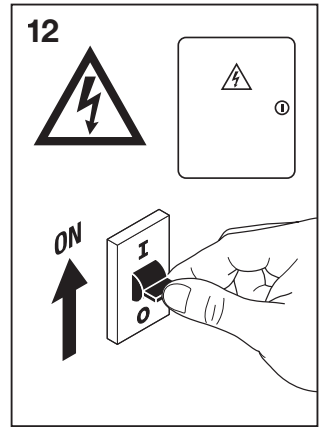
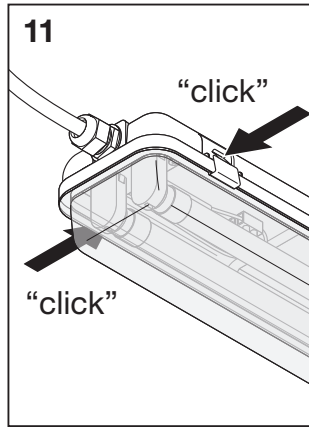
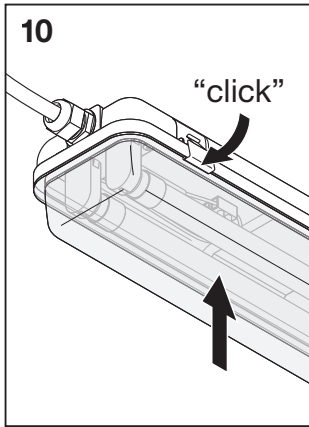


	EAN	l x w x h [mm]	W	VAC	Hz	light source lm	output lm
DAMP PROOF ESSENTIAL 60CM 1X7W 840	4058075762534	651 x 69 x 64	7	220-240V	50/60Hz	780lm	640lm
DAMP PROOF ESSENTIAL 60CM 2X7W 840	4058075762558	651 x 108 x 64	2x7	220-240V	50/60Hz	2x780lm	1200lm
DAMP PROOF ESSENTIAL 120CM 1X15W840	4058075762572	1261 x 69 x 64	15	220-240V	50/60Hz	1650lm	1300lm
DAMP PROOF ESSENTIAL 120CM 2X15W840	4058075762596	1261 x 108 x 64	2x15	220-240V	50/60Hz	2x1650lm	2400lm

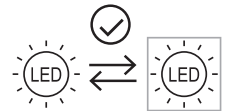
	EAN	mA		K	IP		R <sub>a</sub>	 (°C)	DF	
DAMP PROOF ESSENTIAL 60CM 1X7W 840	4058075762534	55	12500	4000	65	120	≥80	-20...+40	≥0.5	469g
DAMP PROOF ESSENTIAL 60CM 2X7W 840	4058075762558	110	12500	4000	65	120	≥80	-20...+40	≥0.7	649g
DAMP PROOF ESSENTIAL 120CM 1X15W840	4058075762572	120	12500	4000	65	120	≥80	-20...+40	≥0.7	817g
DAMP PROOF ESSENTIAL 120CM 2X15W840	4058075762596	240	12500	4000	65	120	≥80	-20...+40	≥0.9	1136g







ENERGY EFFICIENCY CLASS: E			
DAMP PROOF ESSENTIAL 60CM 1X7W 840	DAMP PROOF ESSENTIAL 60CM 2X7W 840	DAMP PROOF ESSENTIAL 120CM 1X15W 840	DAMP PROOF ESSENTIAL 120CM 2X15W 840
EAN 4058075762534	EAN 4058075762558	EAN 4058075762572	EAN 4058075762596



**FR**  
Cet appareil  
et son ampoule  
se recycle

À DÉPOSER  
EN MAGASIN

À DÉPOSER  
EN DÉCHÈTERIE

OU

Points de collecte sur [www.quefairedemesdechets.fr](http://www.quefairedemesdechets.fr)



LEDVANCE GmbH  
Steinerne Furt 62  
86167 Augsburg, Germany  
[www.ledvance.com](http://www.ledvance.com)

C10449057  
G11139679  
22.07.22

© LEDVANCE Ltd, Aquila House  
Delta Crescent, Westbrook, Warrington  
WA5 7NR, United Kingdom