

# PRODUCT DATASHEET

## TRACK SP REFLECTOR D85 SP

TRACKLIGHT SPOT REFLECTOR | Interchangeable reflector



---

### Product benefits

- Reflector easily replaceable thanks to bayonet catch and rubber suction pad
- Clear cover protects the reflector against dust and contact
- High optical efficacy

---

### Product features

- Accessory reflectors available in different beam angles



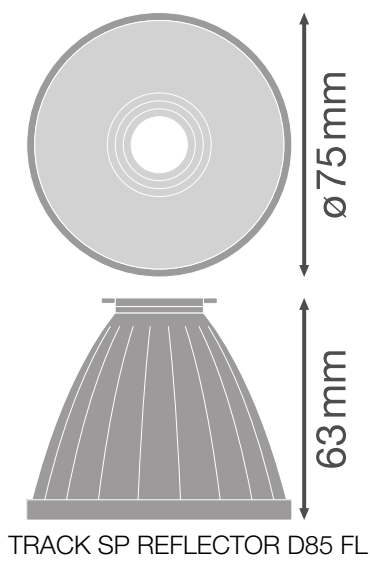
TECHNICAL DATA

Photometrical data

Beam angle	15 °
------------	------

Dimensions & Weight

Diameter	75,0 mm
Height	63 mm
Product weight	33.00 g







Materials & Colors


Product color	Silver
Body material	Polycarbonate (PC)

Certificates & Standards

Luminaire with limited surface temperature, "D sign"	No
Ball shot safe	No

DOWNLOAD DATA

Documents and certificates		Document name
	User instruction / safety instructions	UI Tracklight Spot
	Legal information	Informationstext 18 Abs 4 ElektroG
	Declarations of conformity	Attestation-of-Conformity Track SP LEDV
	Declarations of conformity	Attestation-of-Conformity Track SP TÜV

Tender texts	Document name
 Tender documents	TRACKLIGHT SPOT REFLECTOR D85 SP-EN

**LOGISTICAL DATA**

Product code	Packaging unit (Pieces/Unit)	Dimensions (length x width x height)	Gross weight	Volume
4058075113848	Folding box 1	80 mm x 80 mm x 70 mm	68.00 g	0.45 dm <sup>3</sup>
4058075113855	Shipping box 4	180 mm x 108 mm x 174 mm	390.00 g	3.38 dm <sup>3</sup>

The mentioned product code describes the smallest quantity unit which can be ordered. One shipping unit can contain one or more single products. When placing an order, for the quantity please enter single or multiples of a shipping unit.

**DISCLAIMER**

Subject to change without notice. Errors and omission excepted. Always make sure to use the most recent release.