

eSIGN 6 Segments WH

| | |
|-----------|------------|
| Part No.: | 657.920.55 |
| Series: | eSIGN |



| MECHANICAL DATA | |
|-----------------------------|--------------------------------|
| Height | 219 mm |
| Diameter | 72 mm |
| Materials | PC |
| Dome colour | Tranlucent |
| Housing colour | White |
| Protection category | IP66 IP69K |
| Connection | M12 plug 8-pole |
| Type of fixing | Base mounting Tube mounting |
| Working temperature minimum | -30°C |
| Working temperature maximum | +60°C |
| IK-Code (IEC 62262) | IK08 |

| ELECTRICAL DATA | |
|-----------------------------|-------------------------|
| Operating voltage | 24V |
| Operating voltage type | DC |
| Operating voltage tolerance | +/- 10% |
| Rated operational voltage | 24 VDC |
| Rated operational current | 220 mA |
| Rated inrush current | 800 mA |
| Protection class | Protection class 3 |
| Pollution degree | 3 |
| Overvoltage category | I |
| Isolation voltage | Ui = 50V / Uimp = 330V |
| Request to external PSU | SELV/PELV |
| connectivity | Digital entrance USB |

| OPTICAL DATA | |
|----------------------|--|
| Light source | LED |
| Light colour | MC >1.000.000 colours |
| Optical signal image | Blink Double flash Flash Permanent Revolving Triple flash |
| Blink frequency | Configurable |
| Service life optical | 50,000 h maximum |

! For additional installation and mounting information, refer to the appropriate user guide at www.werma.com. This printed copy is for information only and is subject to alteration.

eSIGN 6 Segments WH

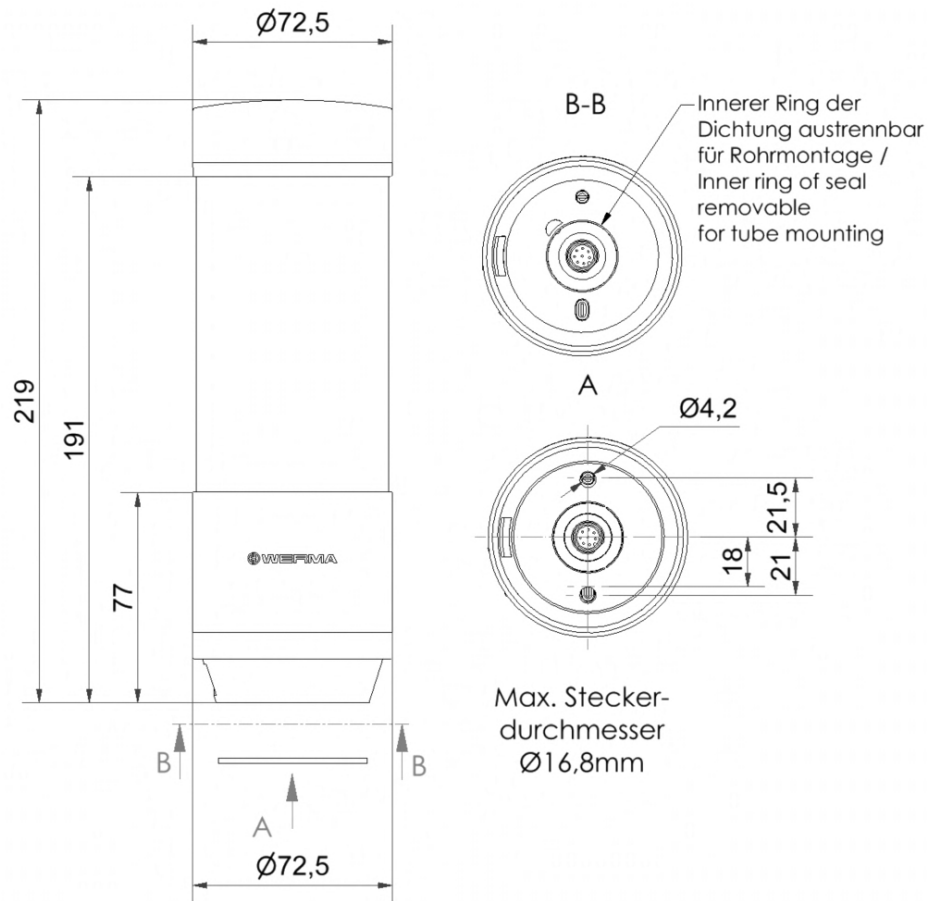
| APPROVAL DATA | |
|-------------------------------|-----------------------|
| Conforms with CE | Yes |
| Conforms with RoHS directive | Yes |
| WEEE | Yes |
| Conforms with RED directive | No |
| Conforms with ATEX-directive | No |
| Conforms with CCC-Ex | No |
| Conforms with CCC | No |
| Conforms with UL | cULus |
| UL Type Rating | Type 4/4X/12/13 |
| Conforms with FCC | No |
| Conforms with IC | No |
| EAC certificate available | No |
| Conforms with UKCA (Importer) | Yes (WERMA (UK) Ltd.) |
| Conforms with CMIM | No |
| Conforms with AS-I | No |
| Conforms with DNV | No |
| Conforms with RoHS CN | No |
| Conforms with VdS | No |



For additional installation and mounting information, refer to the appropriate user guide at www.werma.com. This printed copy is for information only and is subject to alteration.

eSIGN 6 Segments WH

DRAWING



For additional installation and mounting information, refer to the appropriate user guide at www.werma.com. This printed copy is for information only and is subject to alteration.