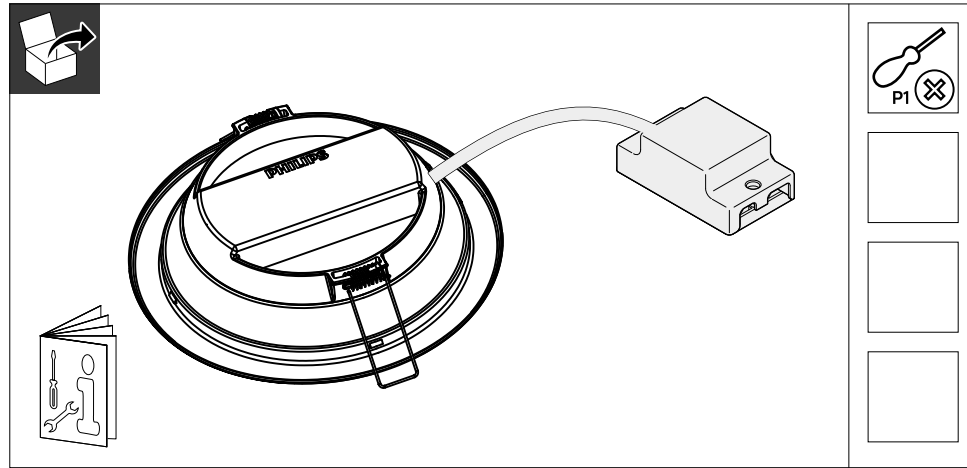


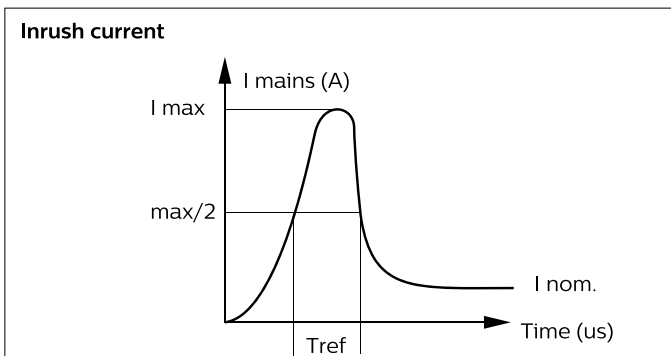
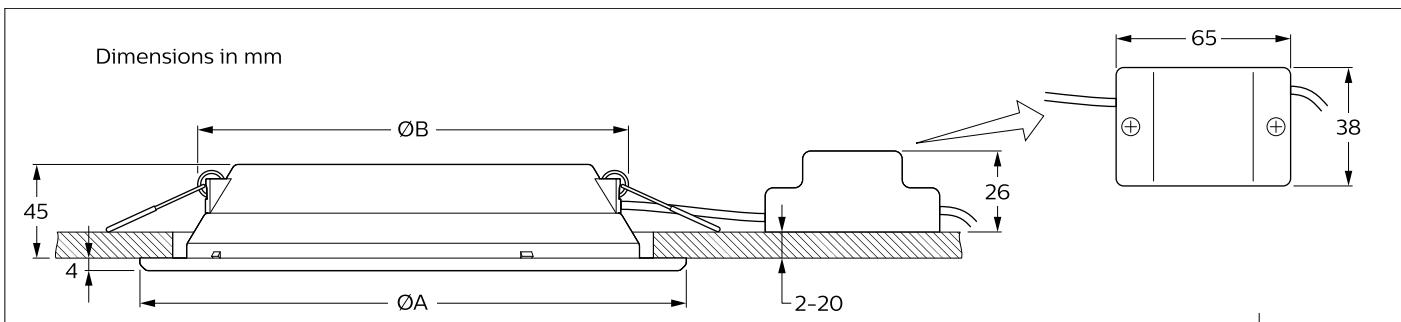
PHILIPS

Ledinaire SlimDownlight

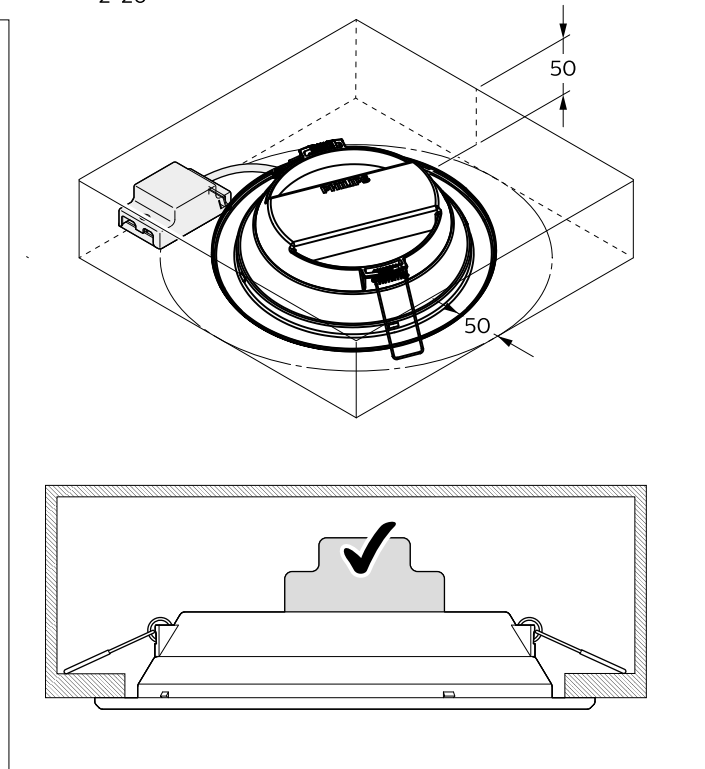
DN065B G2



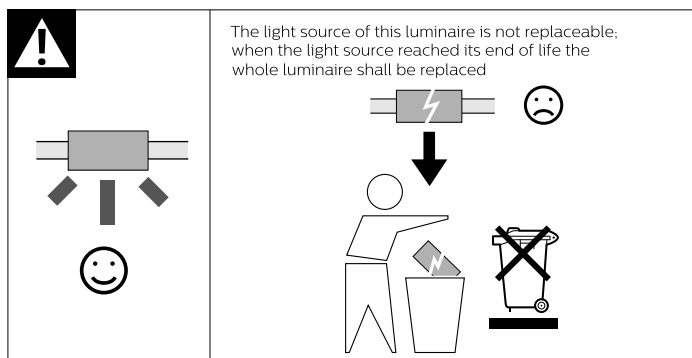
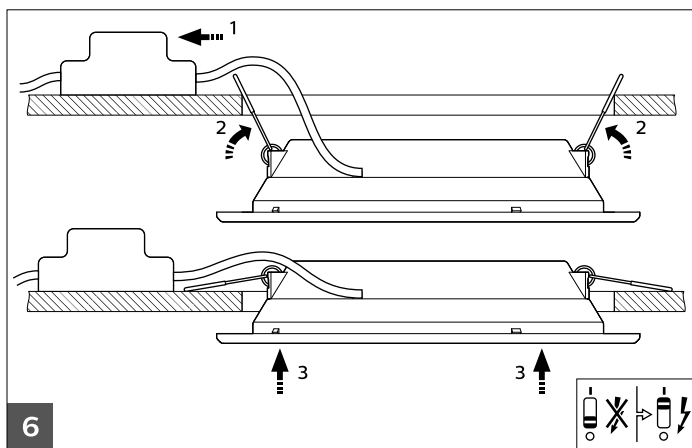
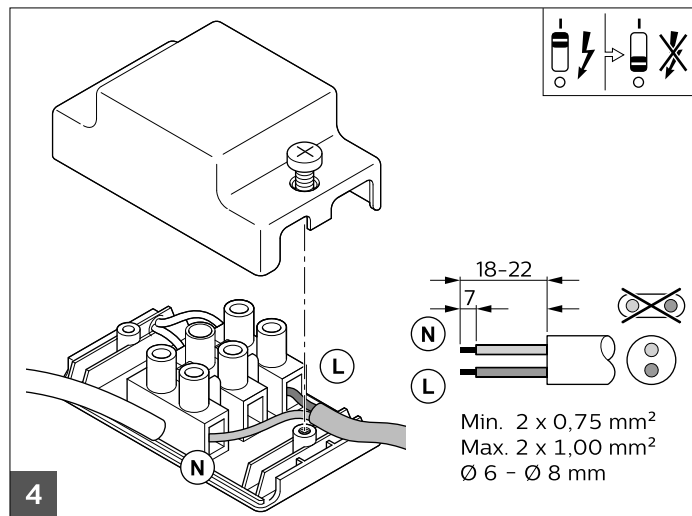
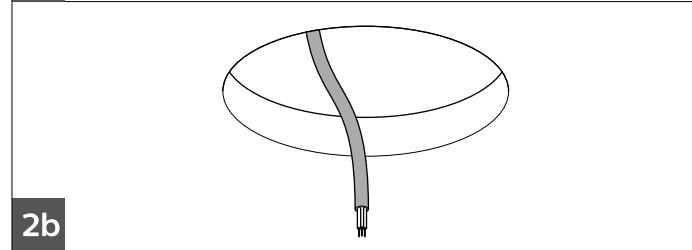
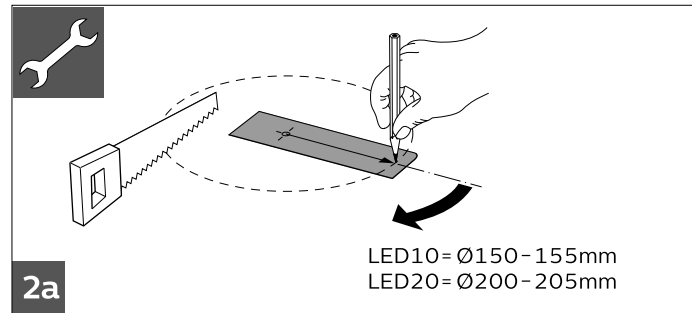
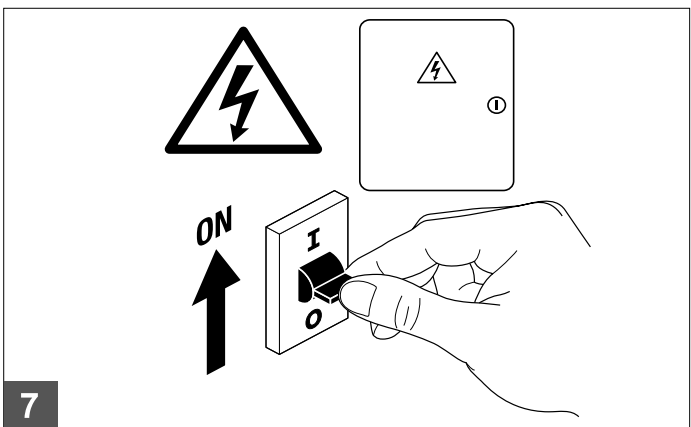
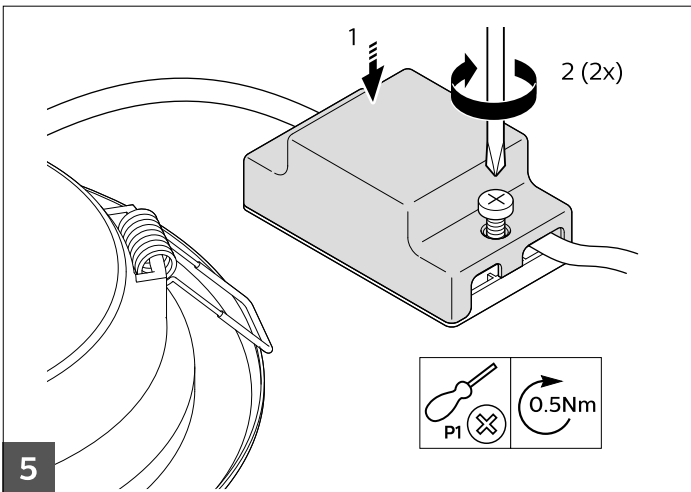
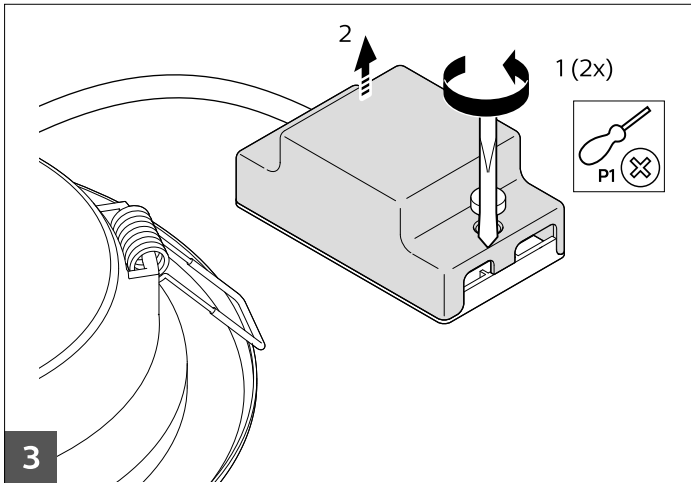
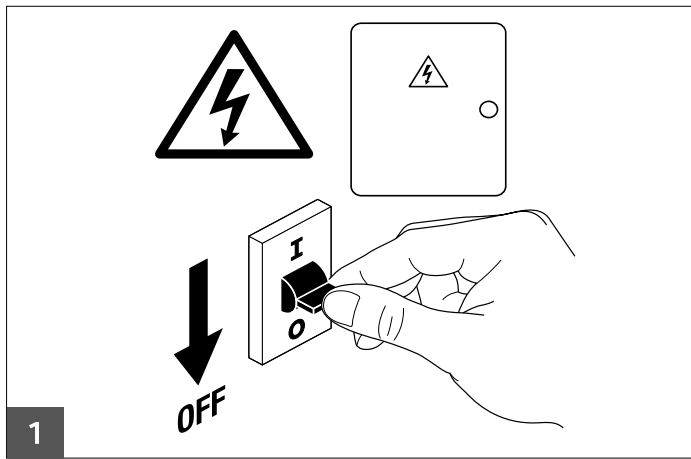
			P (W)	A	B	Ø mm	kg
DN065 G2 LED10	830	950	11	175	146	150-155	0.21
	840	1000					
DN065 G2 LED20	830	1850	22	225	196	200-205	0.33
	840	2000					



	LED10S	LED20S
Electrical characteristics		
I _{max} (A)	4.03	6.07
T _{ref} (µs)	272	272
MCB	Luminaires Max.	
B-10 A	48	48
B-13 A	48	48
C-10 A	48	48
C-13 A	48	48
C-16 A	48	48



SIGNIFY			
Brand	Philips		
Product Family	LUMMINAIRES		
Shape	Round		
Wattage	NA		
Template Ref.	NA		
SGS number	5710641		
12-NC.NBR	324165469883		
Masterdrawing	NA		
CRC Ref.	CRC000		
Barcode No.	NA		
Operator(s)	stevewo		
VERSION No.	v2		
Date in	20150514		
Date amended	20190402		
Black	diecut		
Date Check			
<input type="checkbox"/>	Check briefing Traffic		
Artwork document			
<input type="checkbox"/>	Legend	<input type="checkbox"/>	Number of colors
<input type="checkbox"/>	12NC	<input type="checkbox"/>	Trapping/Bleed
<input type="checkbox"/>	Barcode	<input type="checkbox"/>	Images hires
<input type="checkbox"/>	Diecut	<input type="checkbox"/>	Jobsizes
Approval			
<input type="checkbox"/>	QC Lithographer	SGS Shanghai Production	
<input type="checkbox"/>	Product Manager	bryce.du@signify.com	
<input type="checkbox"/>	Traffic Manager	Micky He	



The product should only be installed indoors.
The product is not dimmable.
The external flexible cable or cord of this luminaire cannot be replaced. If the cord is damaged, the luminaire shall be destroyed.
The product is only suitable for mounting on the ceiling.

SIGNIFY			
Brand	Philips		
Product Family	LUMMINAIRES		
Shape	Round		
Wattage	NA		
Template Ref.	NA		
SGS number	5710641		
12-NC.NBR	324165469883		
Masterdrawing	NA		
CRC Ref.	CRC000		
Barcode No.	NA		
Operator(s)	stevewo		
VERSION No.	v2		
Date in	20150514		
Date amended	20190402		
Black	diecut		
Date Check _____			
<input type="checkbox"/> Check briefing Traffic			
Artwork document			
<input type="checkbox"/> Legend	<input type="checkbox"/> Number of colors		
<input type="checkbox"/> 12NC	<input type="checkbox"/> Trapping/Bleed		
<input type="checkbox"/> Barcode	<input type="checkbox"/> Images hires		
<input type="checkbox"/> Diecut	<input type="checkbox"/> Jobsizes		
Approval			
<input type="checkbox"/> QC Lithographer	SGS Shanghai Production		
<input type="checkbox"/> Product Manager	bryce.du@signify.com		
<input type="checkbox"/> Traffic Manager	Micky He		