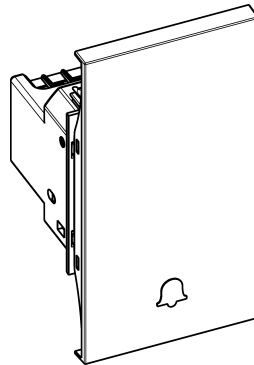


Pushbutton lightable with nameplate



Use

Rocker control device for lighting and other loads, with nameplate.
Back lightable by led 0,5W

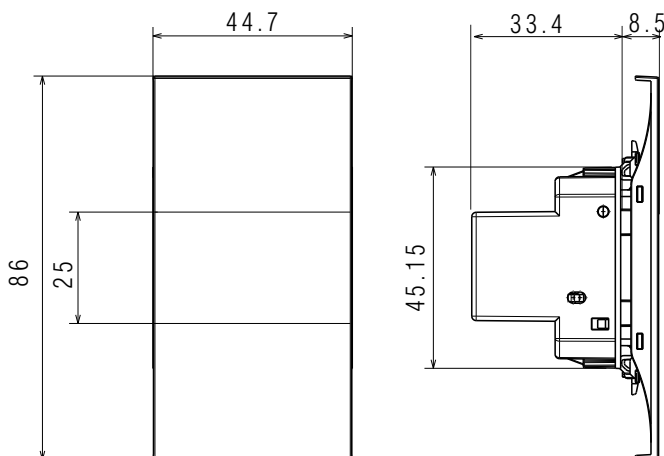
Connection

Terminal type: screw clamp
Terminal capacity: 2 x 2,5 mm² max
Stripping length: 9 mm Compatible
with flexible or rigid cables

Range

| Designation | Item |
|---------------------------|----------|
| Pushbutton with nameplate | |
| - 1P (NO) 3A 250 Va.c. μ | K4040 |
| - 1P (NO) 3A 12V a.c. μ | K4040V12 |

Overall dimensions (mm)



Technical characteristics

- **Protection index**
(considering a complete installation, including cover plate)
Penetration by solid bodies/liquid: IP20
- **Mechanical characteristics**
Impact test: IK 04
- **Material characteristics**
Material:
Case: PC (Polycarbonate)
Key cover: PC (Polycarbonate)
Halogen free.
UV resistant.
Self-extinguishing:
850° C / 30 s for insulating parts holding live parts in place
650° C / 30 s for other parts made of insulating materials
- **Electrical characteristics**
- Voltage: - 250 V a.c./12 V a.c.
- Current: 3A
- **Climatic characteristics**
Storage temperature: - 10° C to + 70° C Use
temperature: - 5° C to + 35° C

Cleaning

Clean the surface with a cloth.
Do not use acetone, tar-removing cleaning agents or trichloroethylene.
Caution: Always test before using special cleaning products.

Standards and approvals

Compliance with standards IEC/EN 60669-1.
Refer to e.catalogue.